

Series: A

# INSTRUCTIONS AND PARTS MANUAL

***HANDY-JOG***

*Light Duty Jogging Machine*



Advanced Document  
Systems & Supply, Inc.  
Phone: 800-808-2377  
Fax: 888-237-7329  
[www.adss.net](http://www.adss.net)

F.100A

# 1.0 Warranty

## \* WARRANTY INFORMATION \*

PLEASE REVIEW THE ENCLOSED WARRANTY INFORMATION SHEET

It is very important that you read and understand the conditions outlined in the *Warranty Information Sheet* attached to the outside of the shipping container of your machine.

The *Warranty Information Sheet* must be filled out completely and returned to THE CHALLENGE MACHINERY COMPANY in order for the warranty to be issued for this machine.

# 2.0 Safety Precautions

## 2.1 Caution Label



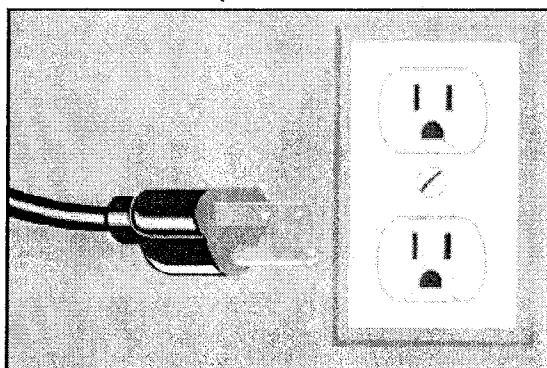
### Electrical Shock Hazard!

This symbol indicates an electrical shock hazard exists behind the panel on which it is found. Power should be disconnected before removing the panel.

## 2.2 Safety

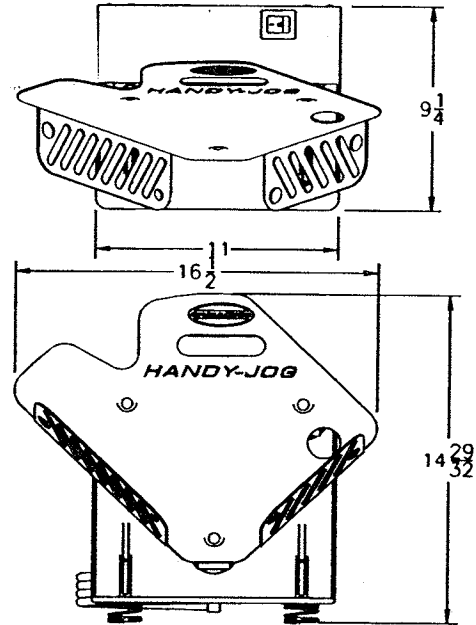
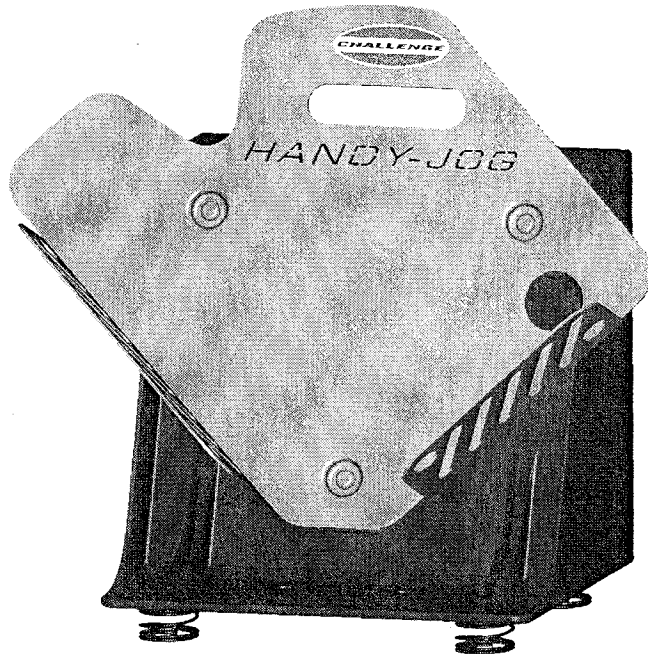
The following list of safety precautions should be observed:

- The machine should only be serviced by an authorized Challenge® service technician.
- Do not place hands behind the paper tray.
- Always disconnect power to the machine before servicing. Remove plug from wall socket.



## 3.0 Specifications

---



**General:**

Pile height	3" maximum
Stock size	up to 11" X 17"
Tray dimensions	11" X 13-1/2"
Width	16-1/2"
Depth	9-1/4"
Height	14-29/32"
Net weight (approx.)	15 lbs.
Shipping weight (approx.)	17 lbs.

**Electrical:** 120V, single-phase, 60 HZ, 0.5 Amp  
(15 Amp service size)

**Option:** Footswitch #E-875-6 (ordered separately)

# 4.0 Installation and Operation

---

## 4.1 Installation

After removing the jogger from its box, place it away from the edge of a flat surface. *Do not allow power cord to hang where it could accidentally be caught thereby pulling the machine to the floor.* Plug the power cord into a nearby 120-volt wall socket. The machine is ready to operate.

## 4.2 Optional Footswitch

To install the optional footswitch, first plug the footswitch into a nearby wall socket. Then plug the jogger into the footswitch plug. Switch on the jogger.

*Note: In order for the jogger to operate with the footswitch option, the machine's main power switch must be ON.*

Place the footswitch (E-875-6) in a convenient location that is not a trip hazard.

## 4.3 Operation

Switch on the machine and place a pile of paper in the paper tray. Switch off the machine when the pile has been jogged to satisfaction. Remove the pile from the tray.

*Note: Without a pile in the tray, the jogger is quiet. Make sure to switch off the machine when the jogger is not in use. This will increase the lifetime of the machine and conserve energy.*

# 5.0 Troubleshooting

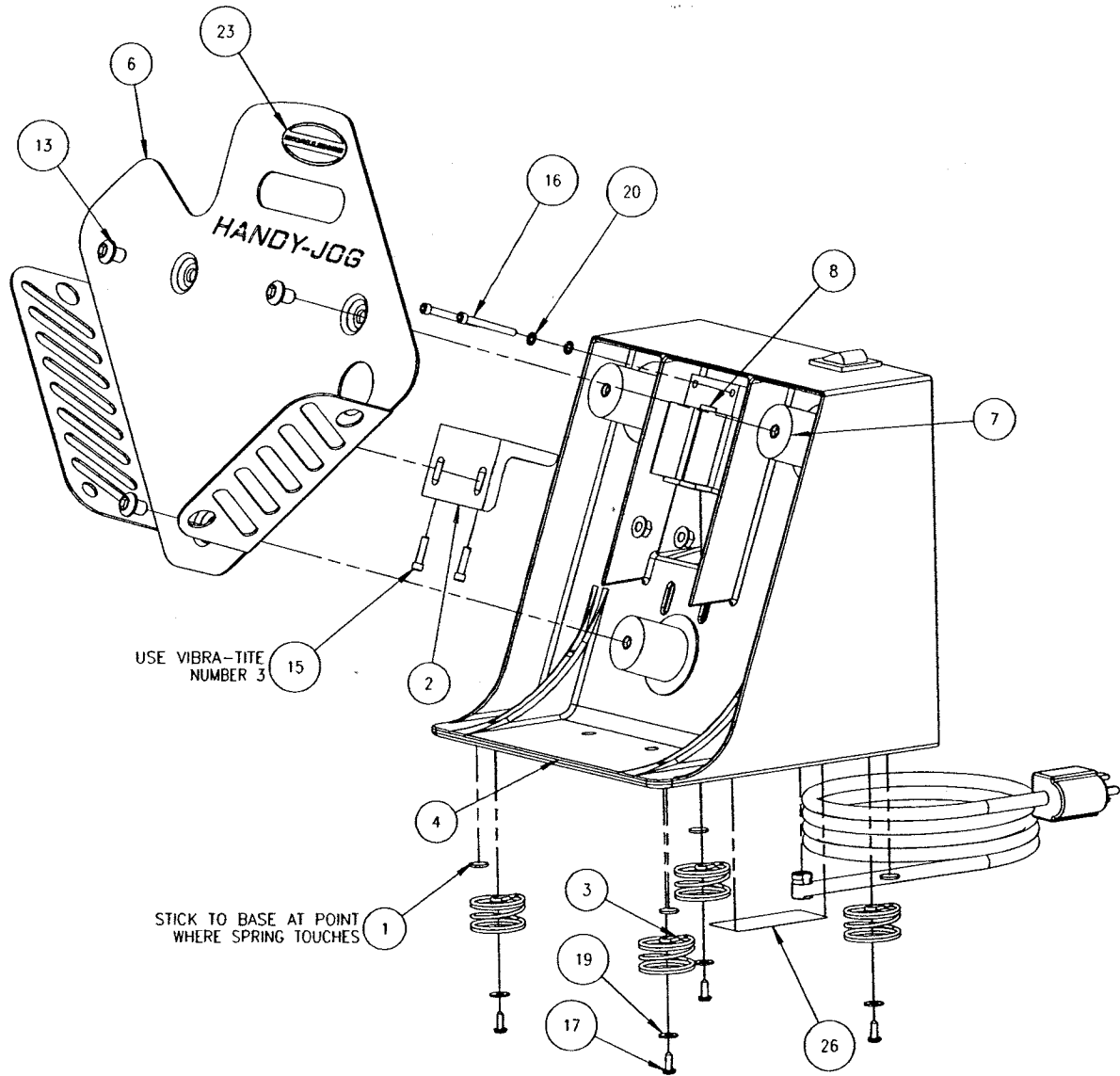
---

The following table lists potential causes to operational problems:

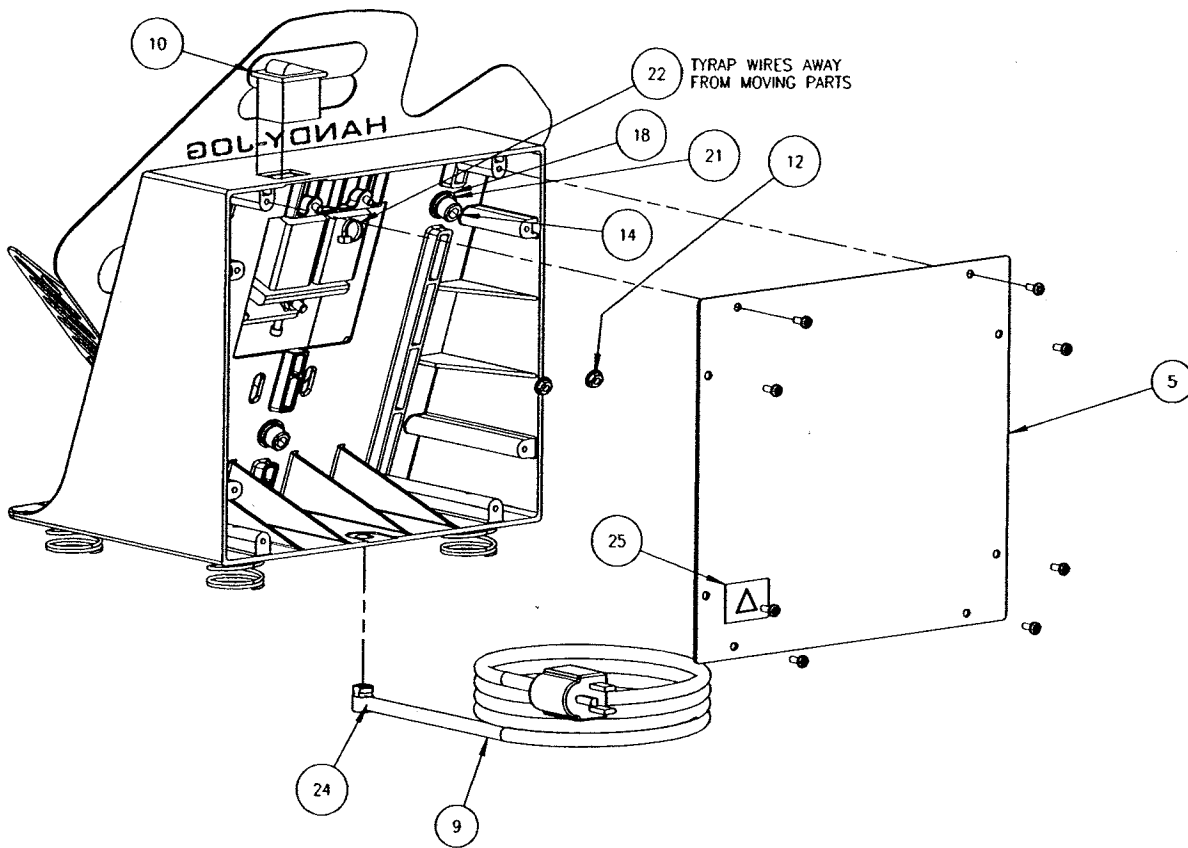
<b>Problem</b>	<b>Solutions</b>
The machine won't operate	<ol style="list-style-type: none"><li>1. Plug cord into wall socket; switch on machine</li><li>2. Check circuit breaker</li><li>3. If footswitch is installed, make sure the power switch on the machine is switched on.</li><li>4. Malfunctioning power switch</li><li>5. Damaged electromagnet</li><li>6. Actuator on the tray has loosened</li></ol>
Jogging power has reduced	<ol style="list-style-type: none"><li>1. Misadjusted actuator bracket. Adjust gap between actuator and magnet to .14 inches. This is equivalent to 31 sheets of 20-pound bond paper.</li><li>2. Extremely low voltage from wall socket</li></ol>
Loud banging is sound heard	<ol style="list-style-type: none"><li>1. Misadjusted actuator bracket. Adjust gap between actuator and magnet to .14 inches. This is equivalent to 31 sheets of 20-pound bond paper.</li></ol>
Unusual vibration noise	<ol style="list-style-type: none"><li>1. Either the actuator bracket or the electromagnet has loosened.</li></ol>

# 6.0 Parts List

## 6.1 Series A



6.2 Series A (continued)



### 6.3 Series A (continued)

ITEM	PART NO.	DESCRIPTION	QTY
1	41074	POLYURETHANE DOT	4
2	57010	ACTUATOR	1
3	57012	SPRING	4
4	57201	BASE	1
5	57202	COVER	1
6	57205	JOGGING TRAY	1
7	40016-4	MOUNT- VIBRATION	3
8	E-3052	ELECTRO-MAGNET	1
9	E-3053	POWER CORD- JOGGER	1
10	E-1140-11	ROCKER SWITCH	1
11	H-6414-4	NUT - 1/4-20 WHIZ LOCK	2
12	H-6417-N10	NUT - #10-24 HEX	2
13	H-6910-604SS	SCREW - 3/8-16 X 1/2 BUT. HEAD CAP STAINLESS	3
14	H-6918-606	SCREW - 3/8-16 X 3/4 SOCKET HEAD CAP	3
15	H-6918-102406	SCREW - #10-24 X 3/4 SOCKET HEAD CAP	2
16	H-6918-102414	SCREW - #10-24 X 1-3/4 SOCKET HEAD CAP	2
17	H-6969-0804	SCREW - #8 X 1/2 PAN HD PLASTITE	12
18	H-7321-6	WASHER - 3/8 SAE PLAIN	3
19	H-7321-#10	WASHER - #10 SAE PLAIN	6
20	H-7324-#10	WASHER - #10 INT TOOTH	2
21	H-7327-12	WASHER - 3/8 MEDIUM LOCK	3
22	S-1694	TYRAP	1
23	S-1076-2	CHALLENGE LABEL	1
24	S-1350-9	STRAIN RELIEF BUSHING	1
25	S-1781-50	LABEL - ELECTRIC SHOCK	1
26	S-1781-121	HANDY-JOG NAMEPLATE	1