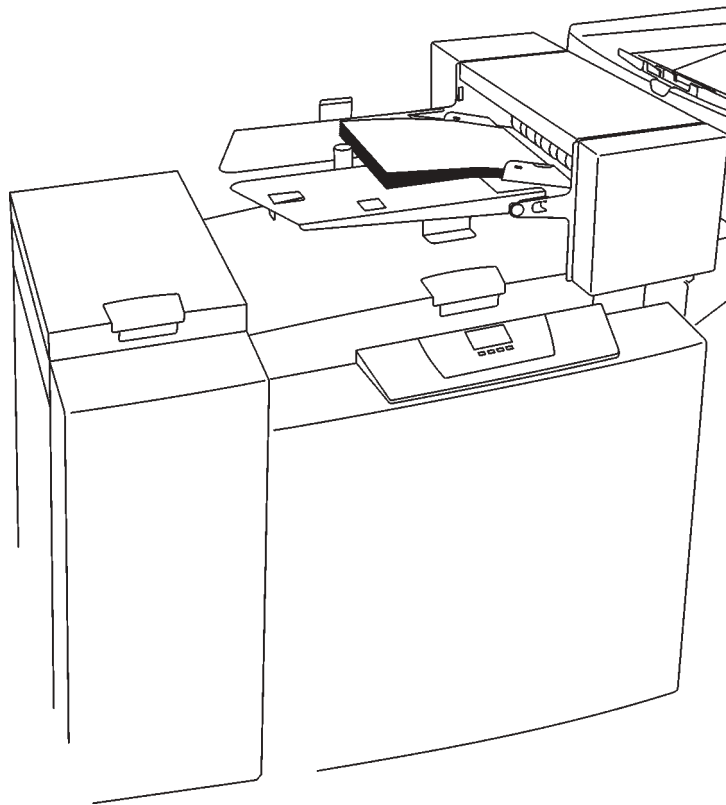




BOOKLET MAKER SR90

**Operating instruction
Stapler folder reference**



Read this manual carefully before you use this product and keep it handy for future reference.
For safety, please follow the instructions in this manual.

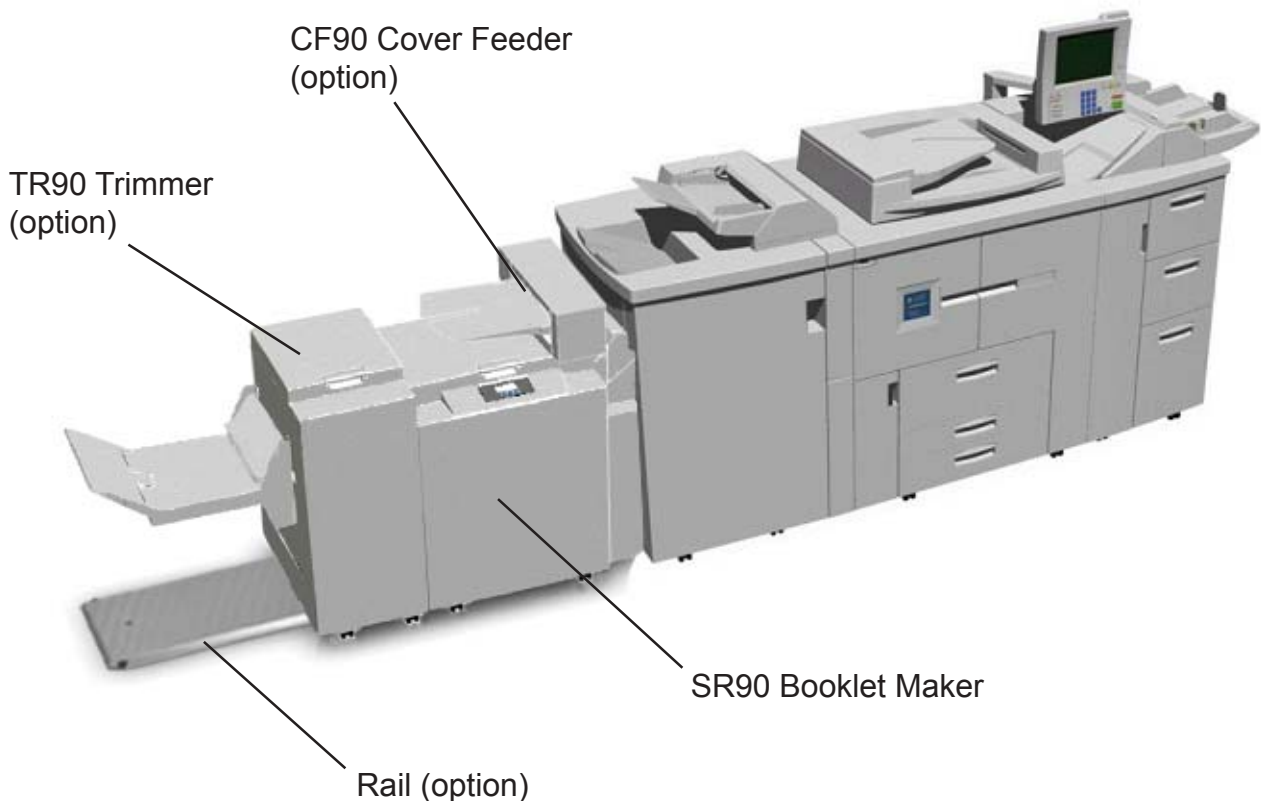
Page intentionally blank

TABLE OF CONTENTS

What You Can Do with This Machine	5
Guide To Components	7
Booklet Maker	7
Options	10
Trimmer	10
Cover Feeder	12
Control Panel	13
1. Basics	15
<hr/>	
Docking / Undocking	15
Docking the Booklet Maker	15
Undocking the Booklet Maker	16
Turning On / Off the Main Power	17
Booklet Maker and Trimmer	17
Staple cartridge and stapler head	18
Removing staple cartridge	18
Installing staple cartridge	18
Removing stapler head	19
Installing stapler head / clearing staple jam	19
Emptying the trim bin	20
2. Making Booklets	21
<hr/>	
Changing settings	21
General procedure	21
Setting Paper Size	21
Selecting standard paper sizes	21
Custom paper size	22
Fine adjustments of selected paper size	22
Stapling	23
Selecting stapling On or Off	23
Trimming	24
Selecting trimming On or Off	24
Adjusting the cutting margin	24
Covers	25
Selecting Cover Feeder On or Off	25
Loading covers	25
On-line/Off-line	26
Off-line mode	26
On-line mode	26
Begin On-line Production	27
3. Tools	29
<hr/>	
The Tools Screen	29
Units	29
Software version	29
Language	30
Air Separation Fan	31
Double Sheet Detection	31
Service access	32

4. Jobs	33
<hr/>	
Storing and deleting jobs	33
Storing a new Job	33
Recalling a Job	34
5. Clearing Misfeed(s)	35
<hr/>	
Booklet Maker	35
Clearing misfeed(s)	35
Inside the Booklet Maker	35
Trimmer	36
Clearing misfeed(s)	36
Clearing misfeed in input area	36
Clearing misfeed in exit area	37
Cover Feeder	38
Clearing misfeed(s) in vertical transport area	38
6. Troubleshooting	39
<hr/>	
Fault codes	39
General fault codes	39
Misfeed	39
Booklet maker fault codes	40
Check staples	40
Trimmer fault codes	40
Trim bin full	40
Cover feeder fault codes	40
Misfeed	40
Double feed	40
Load covers	40
7. REMARKS	41
<hr/>	
Do's And Don'ts	41
Where to put Your Machine	42
Machine environment	42
Power connection	42
Access to machine	43
Maintaining Your Machines	44
Cover Feeder	44
Cleaning feed rollers and paper separator pad	44
8. Specification	45
<hr/>	
Machine Specifications	45
Booklet Maker SR90	45
Trimmer TR90 (option)	46
Cover Feeder CF90 (option)	46
INDEX	47

What You Can Do with This Machine

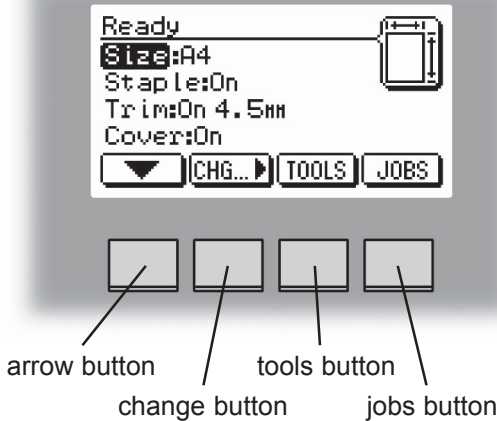


The Booklet Maker SR90, Trimmer TR90 and Cover Feeder CF90 forms a booklet making system that works online with the Bellini C2a/b, Martini and Bellini C1a/b.

The print-outs from the Bellini C2a/b are collected in the finisher and then transported into the SR90 Booklet Maker to the staple area. From the CF90 Cover Feeder (optional), if present, any type of covers, colored or black and whites, can be added to the printed set. The Booklet Maker now jogs and then staples the set. The set is then transported further to the folding area where the set is folded to a booklet and then fed onto the belt stacker. When a larger number of sheets are folded an effect called creeping occurs. In order to rectify creep, the TR90 Trimmer (optional) can be attached after the Booklet Maker. The booklets are then transported from the Booklet Maker into the Trimmer where the trail edge will be cut off. The booklets are then fed onto the Belt Stacker.

To facilitate undocking, a Rail (optional) can be installed under the Booklet Maker. Undocked, or off-line, the Booklet Maker can be used as a stand-alone unit for hand feeding.

The booklet making system is controlled from a single control panel on the Booklet Maker. The control panel has only four buttons which will allow you to easily set up, adjust and operate the complete system.



The Ready screen.

When the system power is switched on the Ready screen will be shown. Here you will find information showing the actual set up. From this screen you can also access other screens, that will help you operate the complete booklet making system.



Changing settings.

To change or adjust settings; Select an item in the Ready screen with the [arrow] button and press the [Change] button. For example you can change the paper size, fine adjust the trimming or turn off the cover feeder. Explore all settings more thoroughly in section 2. Making Booklets.



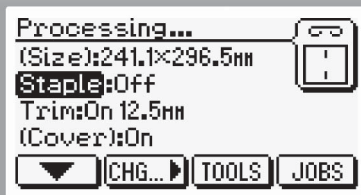
The Tools screen.

Pressing the [Tools] button in the Ready screen takes you to the tools screen. Here you will find all the necessary tools for a troublefree operation. From here you can change the display language, set units from millimeters to inches and more. See section 3. Tools. for how to get around in the Tools screen.



The Jobs screen.

Pressing the [Jobs] button in the Ready screen opens the Jobs screen. From here you can load, customize and save job settings. These procedures are described in section 4. Jobs.



The Processing screen.

This screen is shown when the machine is busy working. If the machine is used in off-line mode you do not have to wait for the Ready screen before handfeeding the next set.

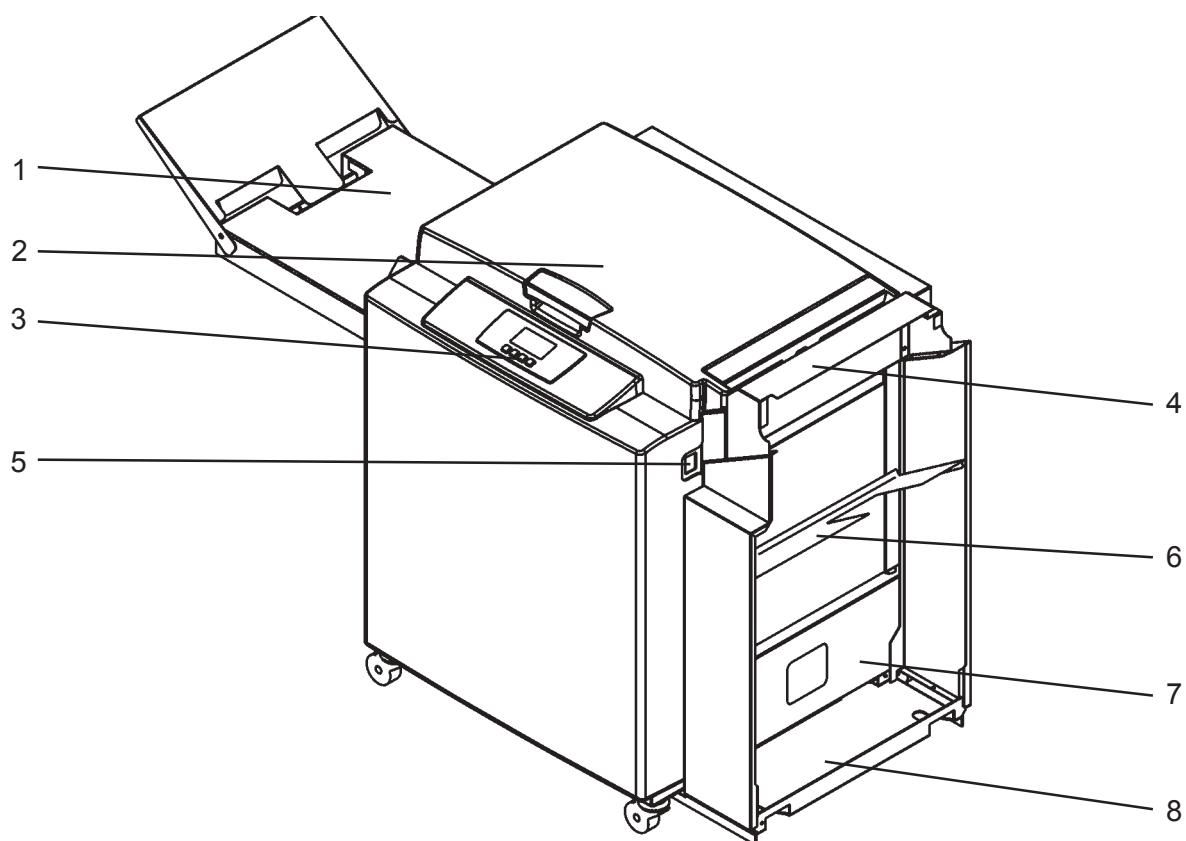


The Please wait screen.

While the machine sometimes needs time to perform changes in settings, the Please wait screen will be shown. The machine will automatically return to the Ready screen after changes has been implemented.

Guide To Components

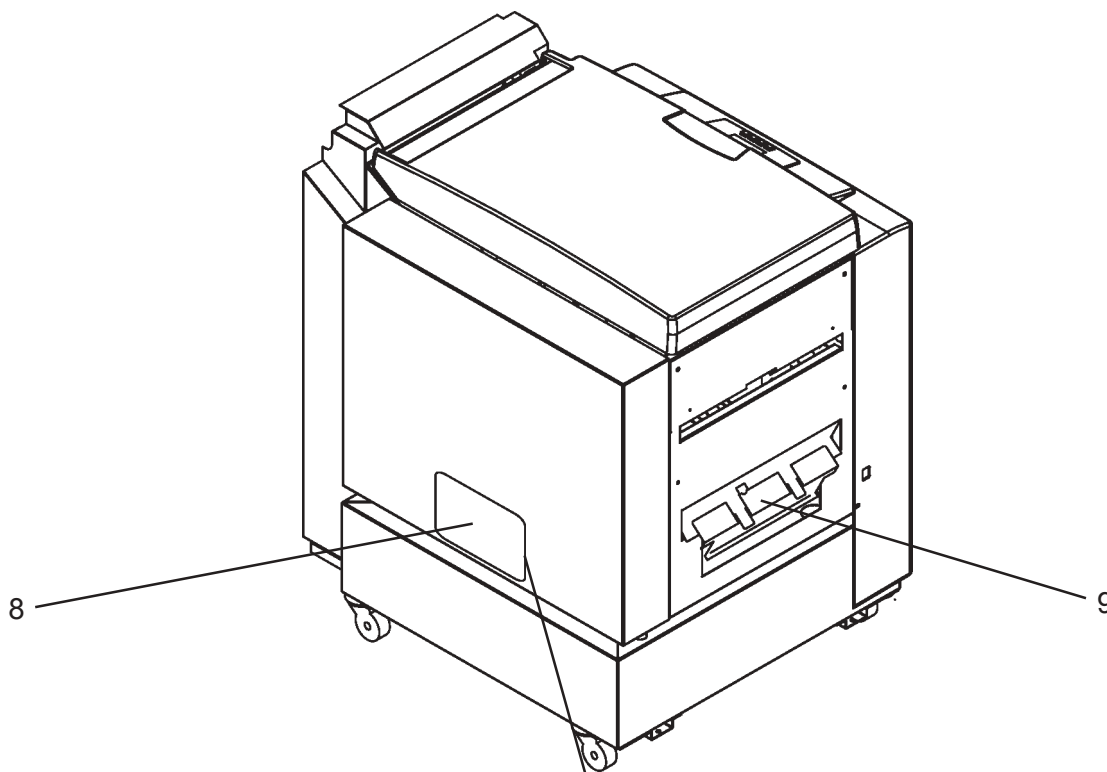
Booklet Maker



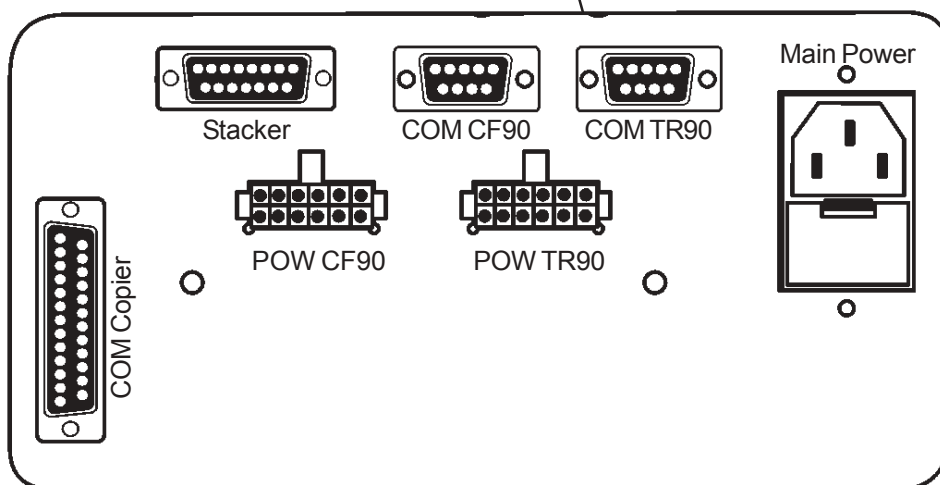
- 1 Belt stacker
- 2 Top cover
- 3 Control panel
- 4 Infeed assembly

- 5 Main power switch
- 6 Shift tray storing shelf
- 7 Base
- 8 Docking assembly

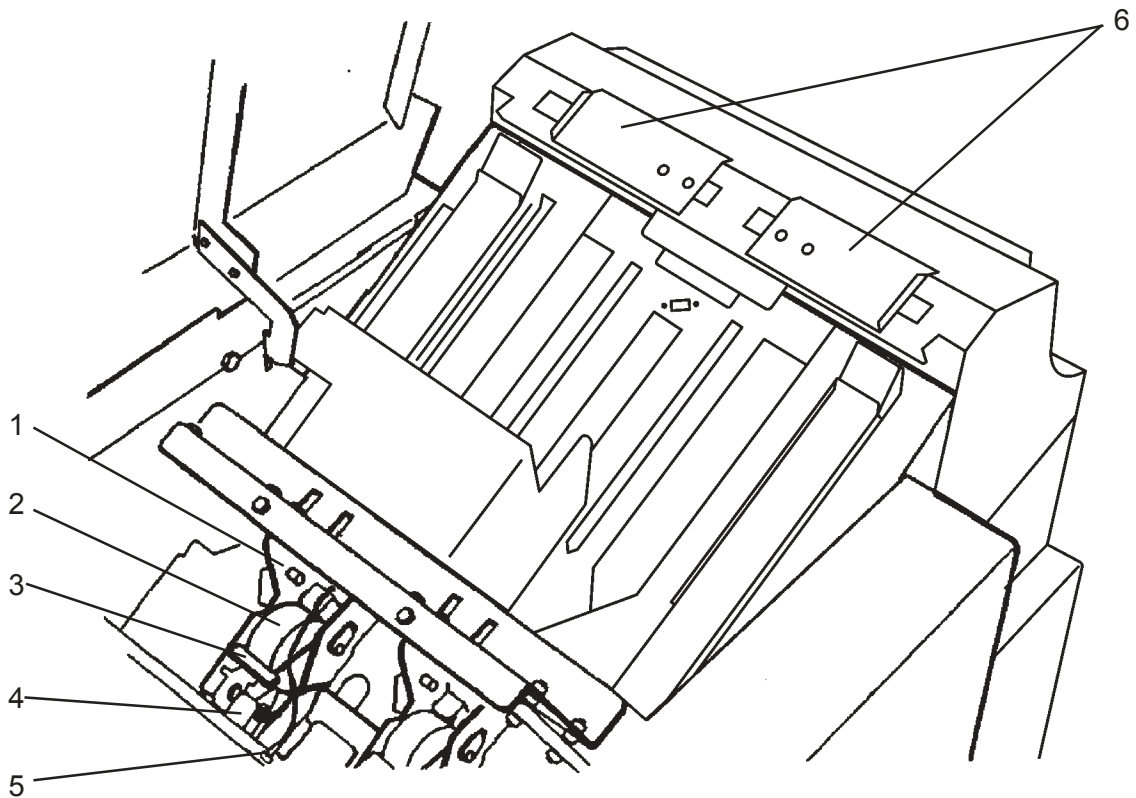
Booklet Maker, continues



- 8 Connections
- 9 Fold stop gate



Booklet Maker, continues

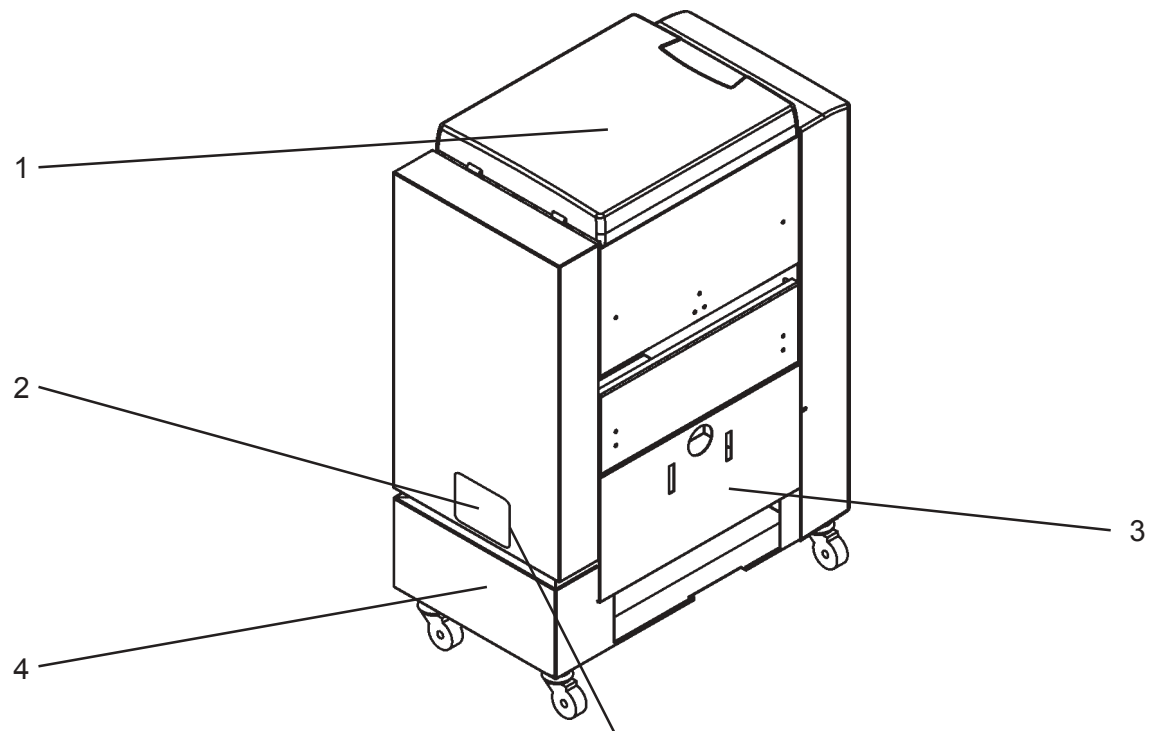


- 1 Stapler head (2x)
- 2 Staple cartridge (2x)
- 3 Cartridge locking lever

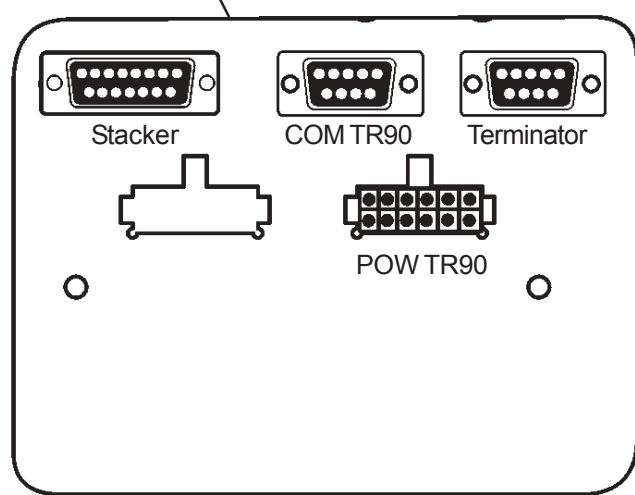
- 4 Stapler release latch
- 5 Staple detection lead
- 6 Hand feeding paper guides

Options

Trimmer

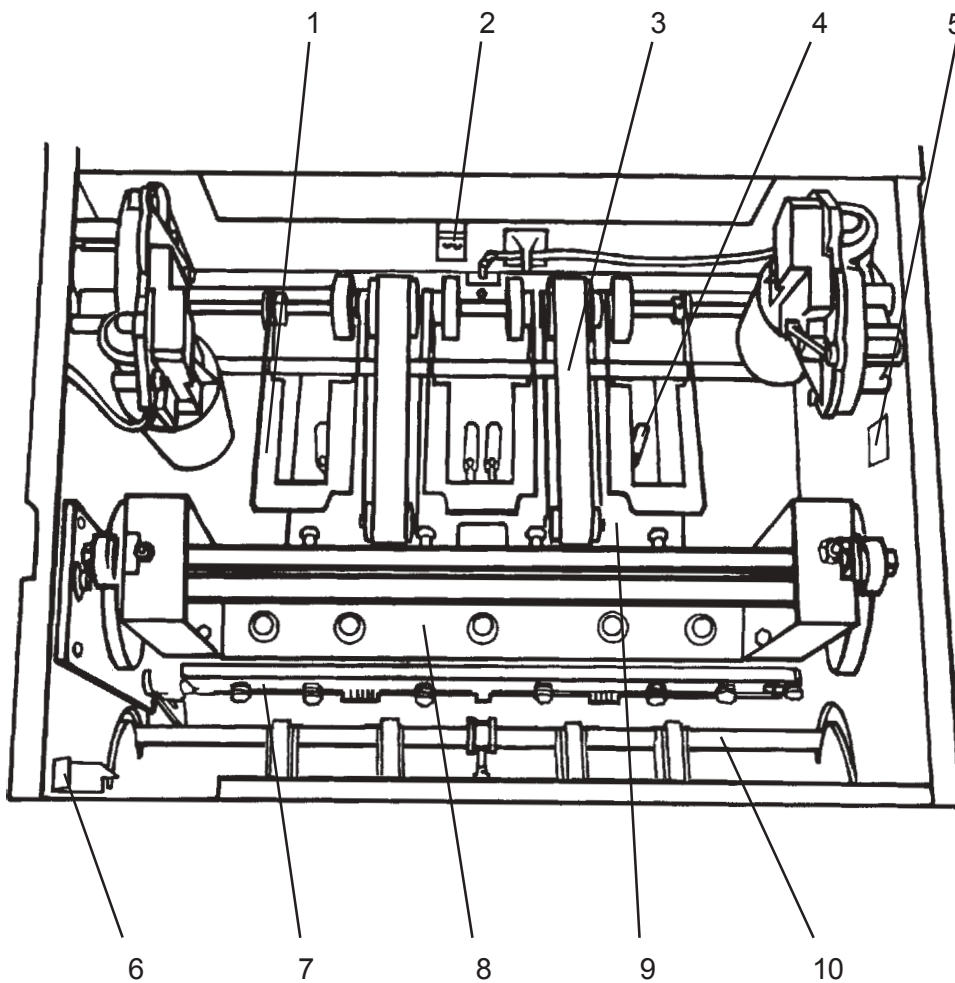


- 1 Top cover
- 2 Connections
- 3 Trim bin
- 4 Base



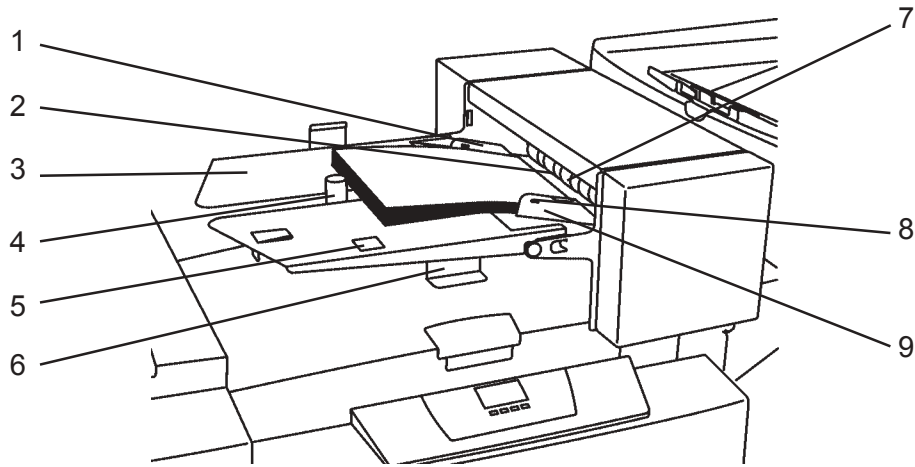
Trimmer, continues

The Trimmer interior has parts that you will come in contact with if a misfeed occur.

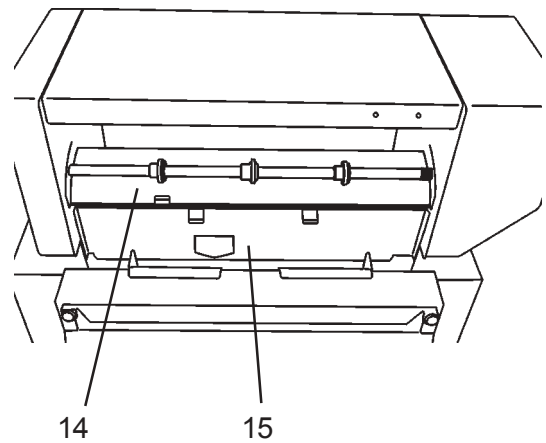
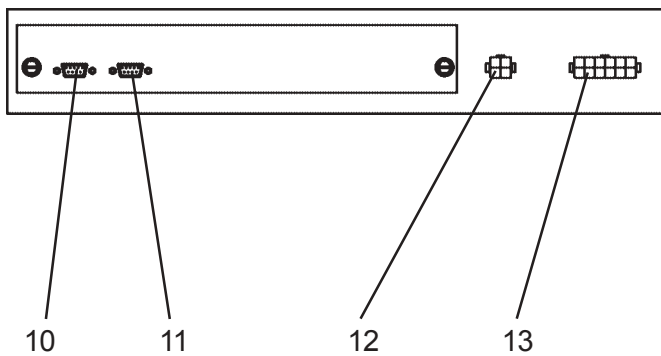


- | | |
|-----------------------------|------------------------|
| 1 Exit compressing brackets | 6 Infeed latch |
| 2 Outfeed latch | 7 Upper knife |
| 3 Transport belt | 8 Upper knife beam |
| 4 Trimmer stop | 9 Outfeed paper path |
| 5 Set counter | 10 Infeed roller shaft |

Cover Feeder

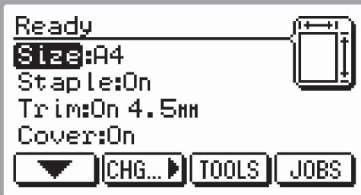


- | | |
|---------------------------|--|
| 1 Rear side guide | 6 Length adjustment handle |
| 2 Paper separator pad | 7 Feed roller assembly |
| 3 Bin extension plate | 8 Loading capacity mark |
| 4 Adjustable air nozzle | 9 Adjustable side guide and Loading handle |
| 5 Paper orientation label | |

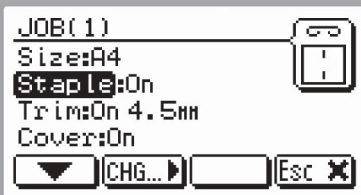


- | | |
|----------------------------------|-------------------------|
| 10 Terminator | 14 Upper paper path |
| 11 COM CF90 | 15 Jam clearance baffle |
| 12 Bin extension plate connector | |
| 13 POW CF90 | |

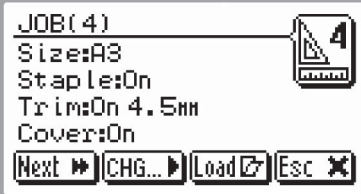
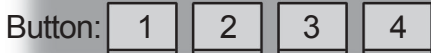
Control Panel



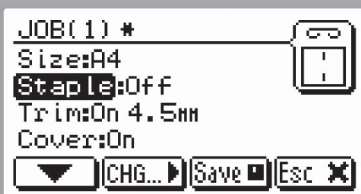
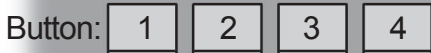
The booklet making system is operated from a single control panel on the Booklet Maker. All settings are done using the four buttons below the LCD display panel. These buttons are multi functional, meaning that the function of each button depends on the information displayed. For example: Pressing button 3 from the Ready screen takes you to the Tools screen.



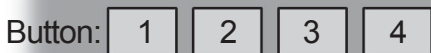
Example 2: In this screen, button 3 has no function.



Example 3: Pressing button 3 here will load the stored Job (4).



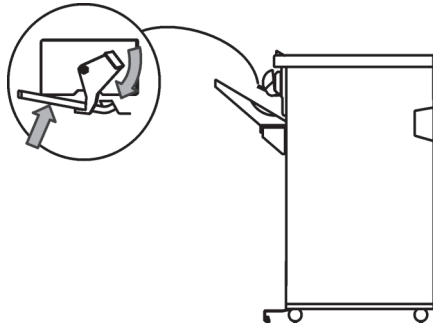
Example 4: In this screen pressing button 3 will save the current settings for job No 1. The asterisk on the first row shows that the settings for Job (1) has been changed, but not yet saved.



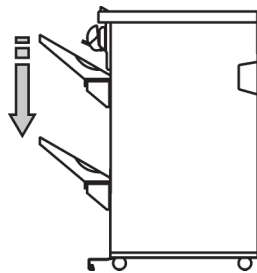
1. Basics

Docking / Undocking

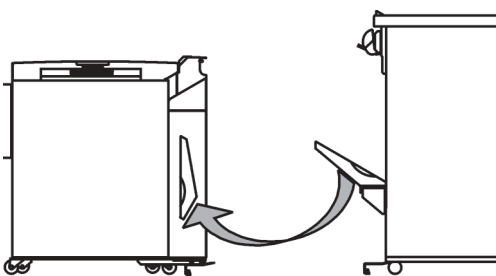
Docking the Booklet Maker



- 1** Turn the Copier off.
- 2** Make sure the Booklet Maker is turned off.
- 3** Lift up the exit arm catcher and set the exit paper arm in the upper position.



- 4** Turn the Copier on, the shift tray will now go down to the lower position.




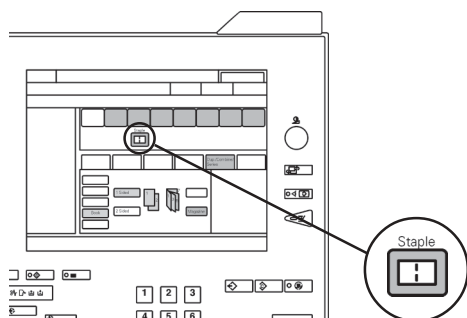
- 5** Remove the shift tray from the Finisher and put it on the shelf on the Booklet Maker

- 6** Turn the Copier off.

- 7** Move the Booklet Maker up to the copier and dock it.

- 8** First turn the Booklet Maker on then turn the Copier on.

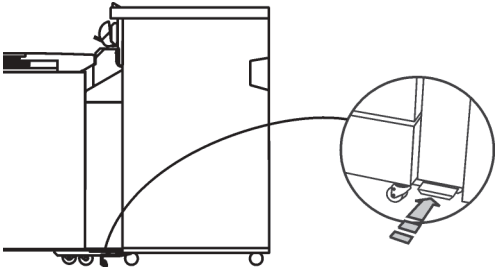
-  **Note**
It is important to turn the machines on in the right order.



The Copier is now in booklet maker mode and a staple icon is now present in the Copier display panel.

Undocking the Booklet Maker


1

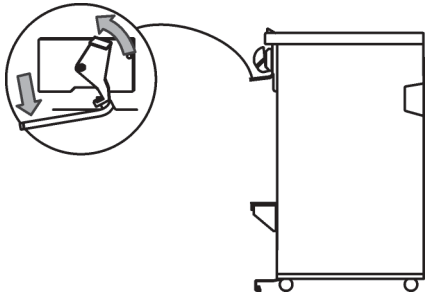


1 First turn the Booklet Maker off, then turn the Copier off.

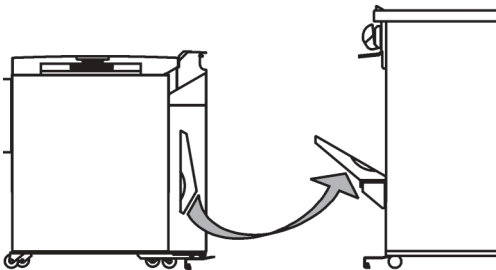
2 Push in the latch on the docking assembly.

3 Move the Booklet Maker away from the Copier.

 **Note**
Be careful not to damage the communication cable



4 Lift up the exit arm catcher and move the exit paper arm to the lower position.



5 Take the shift tray from the shelf on the Booklet Maker, and install it on the Finisher .

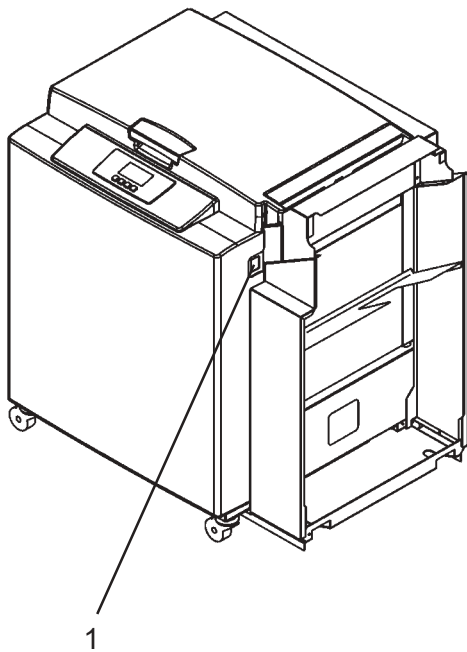
6 Turn the Copier on, the shift tray will now go up to the upper position.

The Copier is now in standard Copier mode.

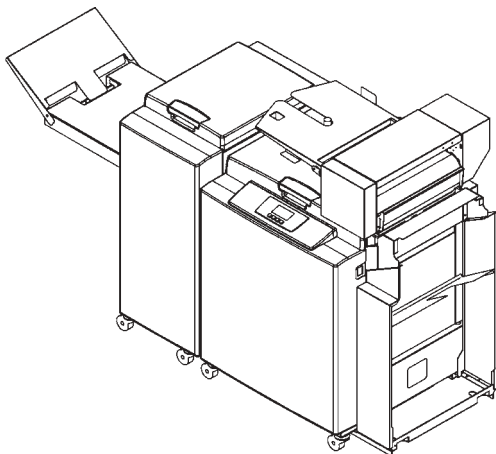
Turning On / Off the Main Power

Booklet Maker and Trimmer

1



- 1** Plug the Booklet Maker into the wall outlet.
- 2** Set ON/OFF switch (1) on Booklet Maker to ON position.

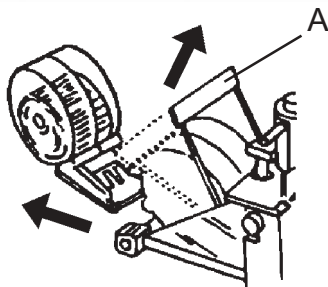
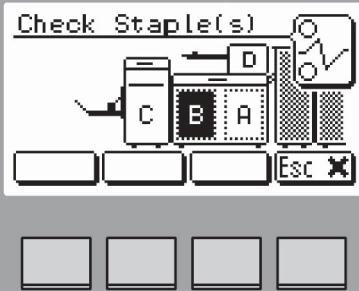


The main power switch also controls the Trimmer (optional) and the Cover Feeder (optional) since they are powered from the Booklet Maker.

Staple cartridge and stapler head

Removing staple cartridge

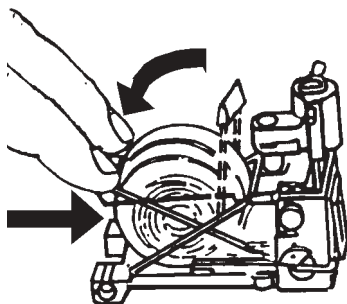
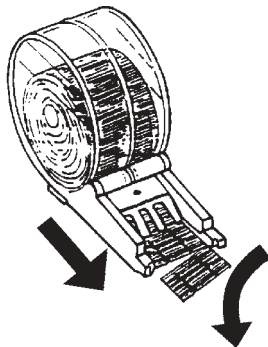
1



The staple cartridges, containing approximately 5000 staples per cartridge, can be replaced without removing the stapler head. Cartridge may be removed either for renewal or for jam clearance.

- 1** Open the booklet maker top cover.
- 2** Remove the set of paper.
- 3** Raise the handle (A) on the staple cartridge locking lever.
- 4** Remove the staple cartridge from the stapler head by sliding it away from the stapler head.

Installing staple cartridge



- 1** Renewing or reinstalling the staple cartridge, pull 25 mm (1 inch) of staples out of the cartridge and tear the staples downward starting at one side pulling away from you. The staple tear line is indicated by an arrow on the side of the cartridge.
- 2** Insert the cartridge into the stapler head with the end of the staples facing toward the head of the stapler mechanism. Push it firmly ahead.
- 3** Hold the staple cartridge firmly in place and push down the cartridge locking lever.

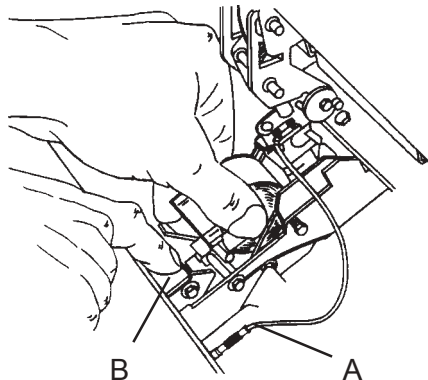


Note

Keep holding (pushing) the staple cartridge in place while pushing down the cartridge locking lever.

- 4** Close the top cover. Hand feed a four sheet set of paper. The booklet maker will automatically cycle and advance staples until both stapler heads are driving staples. If not and/or error message persists, remove and reinstall stapler head according to procedure (see next page).

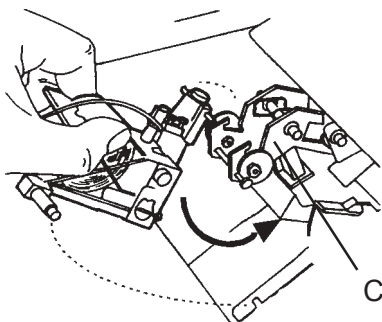
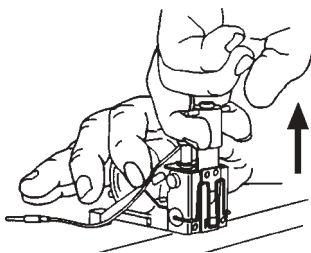
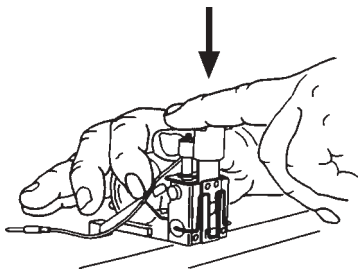
Removing stapler head



- 1** Open the top cover.
- 2** Disconnect the staple indication lead (A) from the socket.
- 3** Hold the stapler head in place, press the release latch (B) to release the rear end of the stapler head and lift up this end.
- 4** Lift out the head, allowing it to rotate around the front end. The stapler assembly is spring loaded and will follow the rotation of the stapler.

1

Installing stapler head / clearing staple jam

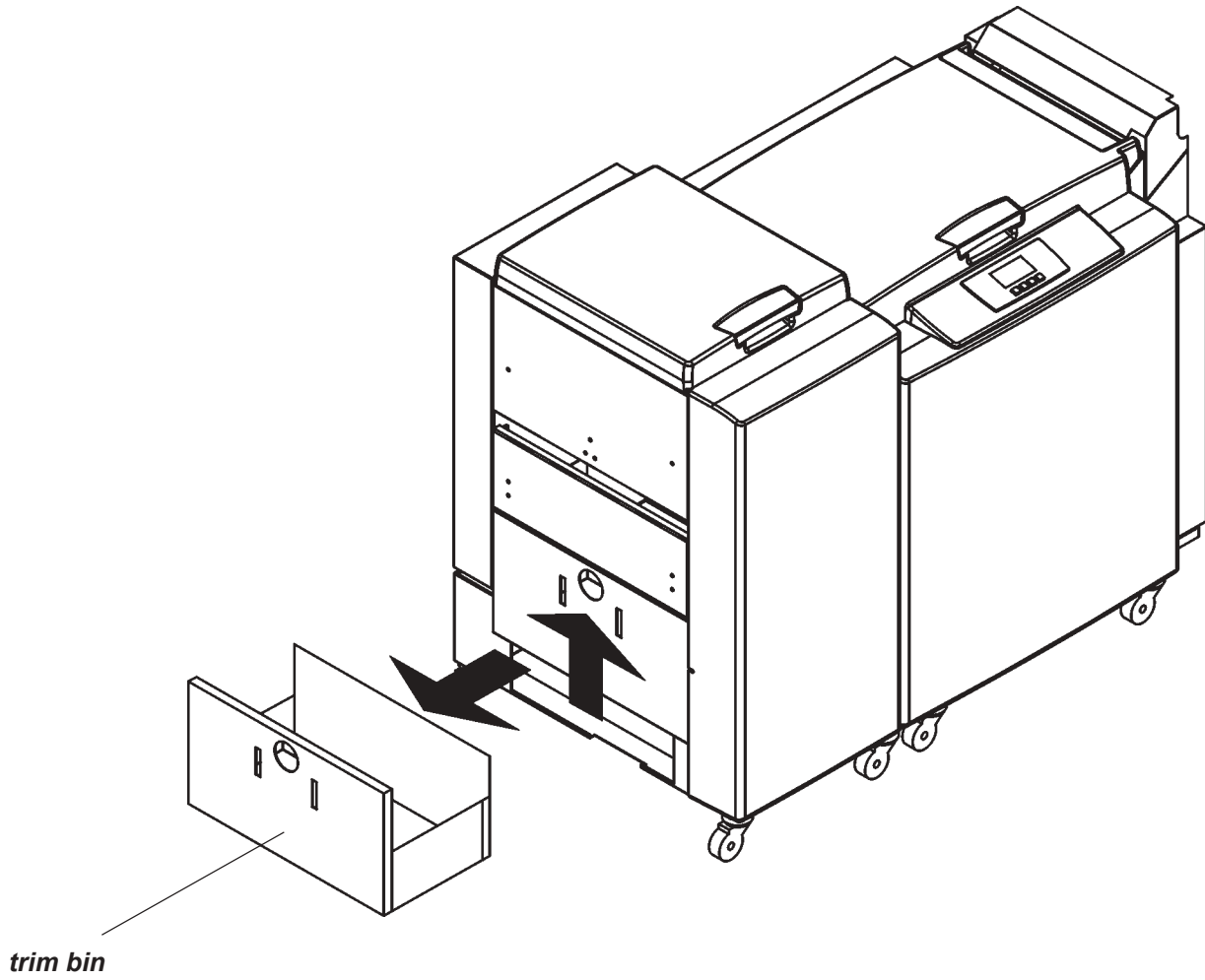


- 1** Remove stapler cartridge. Look inside stapler head to locate jammed staples by eject point. Remove staples if any.
- 2** Position the stapler head on the edge of a firm surface (for example the top of a table).
- 3** While securely holding the head, actuate the Stapler up and down through full travel. Perform this operation first without staple cartridge then with staple cartridge. Repeat this a few times to ensure that the staples are ejected at each down movement.
- 4** Reinstall the stapler head by inserting the pin at the top of the stapler head into the stapler retraction swing arm (C).
- 5** While rotating the stapler head, insert the pin located at the rear end of the stapler head into the slots in the frame of the stapler head assembly. Press down the rear end of the stapler head until the release lever snaps into place, locking the stapler head in position.
- 6** Press down the front end of the stapler head until it snaps in position under the frame assembly.
- 7** Reconnect the staple indication lead (A).
- 8** Close the top cover. Hand feed a two sheet set. The booklet maker will automatically cycle and advance staples until both stapler heads are driving staples. If not and/or error message persists, repeat procedure.

Emptying the trim bin

Remove the trim bin by lifting it and pulling it out.

1



2. Making Booklets

Changing settings

General procedure

Changing of settings can be performed in two ways. Temporary, which means that the changes will remain until a new job is loaded or permanent, which means that the changes will be stored as a job. This job can later be recalled.

Procedure for temporary changes:

From the Ready Screen, select the option you wish to change and press the [Change] button. Confirm changes by pressing the [OK] button.

Procedure for permanent changes:

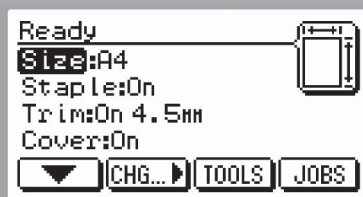
From the Ready Screen, press the [Jobs] button to reach the Jobs screen. Select the Job you want to change by pressing the [Next] button and then press the [Change] button. Select the option you wish to change and press the [Change] button. After confirming your changes by pressing the [OK] button you can press the [Save] button to store your job settings.

Note

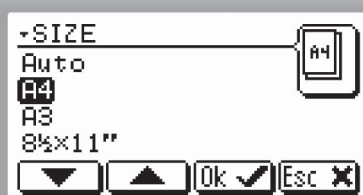
Choose either of the above mentioned procedures when changing size, stapling, trimming or covers as follows.

Setting Paper Size

Selecting standard paper sizes



From the Ready screen, select Size and press the [Change] button.



Select Auto or any standard paper size with the [arrow] button and press the [OK] button. Selecting Auto means that the booklet maker will automatically adjust to the same paper size (A4, A3, 8.5\"x11\" or 11\"x17\") as the copier.

For other paper sizes, follow "Custom paper size" as described on the next page.



Custom paper size

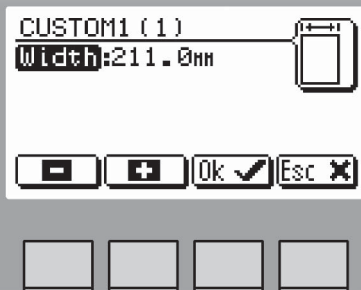
2



Select Size and press the [Change] button to display the preprogrammed paper sizes. Scroll down to Custom sizes, by pressing the [arrow] button, and press the [OK] button. Select the custom paper size you want to use and press the [OK] button.



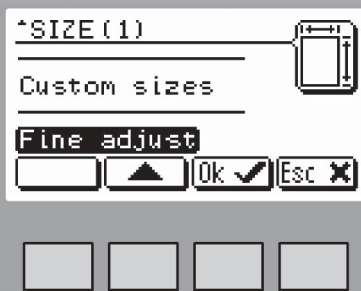
If you want to adjust, select the custom paper size you want to change and press the [Change] button. Select Width or Length with the [arrow] button and press the [Change] button.



The paper size can now be changed in increments of 1 mm or 0.08 inches. Press the [OK] button to confirm.

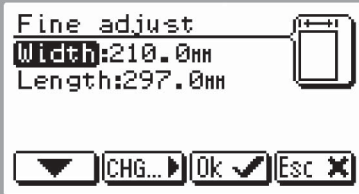
Two different custom paper sizes can be stored.

Fine adjustments of selected paper size

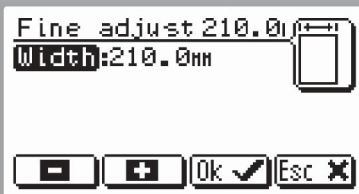


Select Size and press the [Change] button to display the preprogrammed paper sizes. Scroll down to Fine adjust, by pressing the [arrow] button, and then pressing the [OK] button.

Fine adjustments of selected paper size, continues



Select Width or Length with the [arrow] button and press the [Change] button.



Press the [+] or [-] buttons to fine adjust in increments of 0.1 mm or 0.01 inches. Press the [OK] button to confirm.

Fine adjustment can be made while the machine is running.

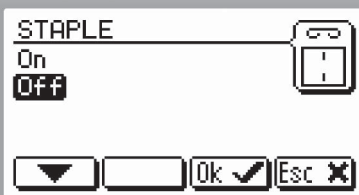


Stapling

Selecting stapling On or Off



From the Ready screen, select Staple and press the [Change] button.



If stapling was On, the first choice will be Off and vice versa.

Select On or Off with the [arrow] button and press the [OK] button.



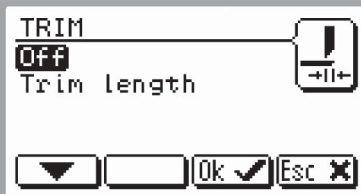
Trimming

Selecting trimming On or Off

2



From the Ready screen, select Trim and press the [Change] button.



If trimming was On, the first choice will be Off and vice versa.

Select On or Off with the [arrow] button and press the [OK] button.

Adjusting the cutting margin



Select Trim and press the [Change] button. Select Trim length and press the [OK] button. Press the [+] or [-] buttons to fine adjust in increments of 0.5 mm or 0.02 inches. The trimmed booklet size and waste are displayed. Press the [OK] button to confirm.

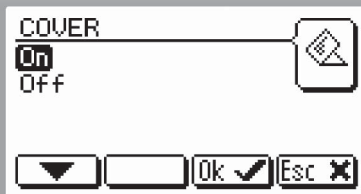
Covers

Selecting Cover Feeder On or Off



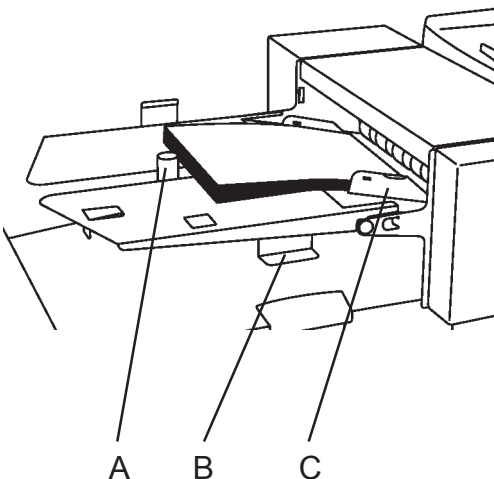
From the Ready screen, select Cover and press the [Change] button.

2



Select On if you want the cover feeder to automatically feed one cover to each set from the copier. Select Off if no covers are to be fed. Press the [OK] button to confirm.

Loading covers



- 1** Make sure that the cover sheets are well fanned to avoid misfeeds or double-feeds.
- 2** Align the cover sheets well to achieve a reliable feeding operation and good finishing results.
- 3** When using printed covers make sure that the ink has completely dried, to avoid smearing.
- 4** Load the covers into the paper bin.
- 5** Move the adjustable side guide (C) up against the sheets until there is no clearance. Move the adjustable air nozzle (A) using the length adjustment handle (B), so that the green stripe on the air nozzle bracket is level with the paper stack.

On-line/Off-line

The booklet maker can be operated in two modes. On-line mode, when used together with the copier, or off-line mode, working as a stand-alone unit.

2

Off-line mode

- 1** Follow “Undocking the Booklet maker” in section 1. Basics.
- 2** Adjust the hand feeding paper guides to the correct paper size.
- 3** Turn on the booklet maker.

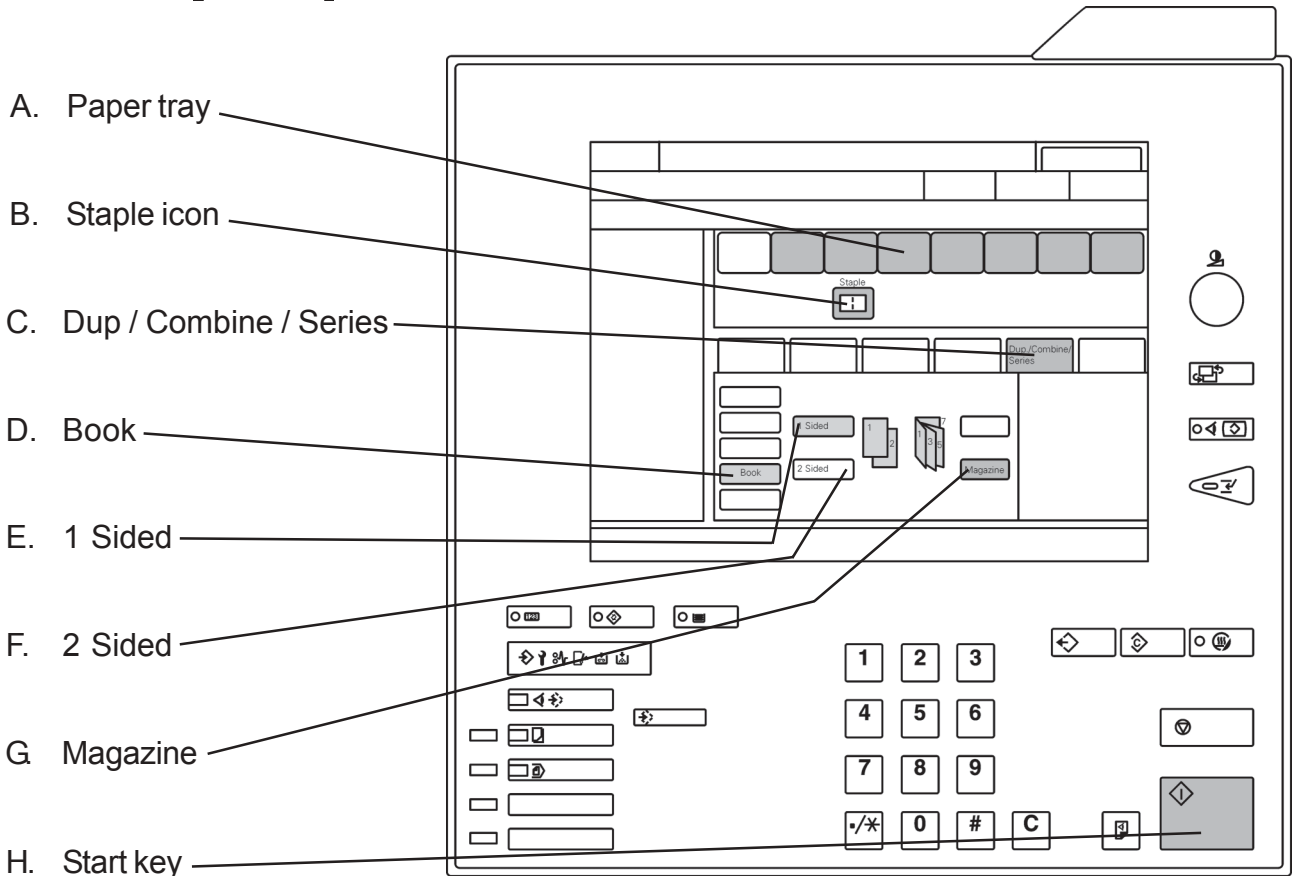
The booklet maker is now in stand-by and will start automatically when a set is fed into the booklet maker. If settings need to be changed, follow “Changing settings” earlier in this section.

On-line mode

- 1** Follow “Docking the Booklet maker” in section 1. Basics.

Begin On-line Production

- 1** Make sure that the [staple icon] is present on the copier control panel.
If not, turn the copier and the booklet maker Off. First turn the booklet maker On and then turn the copier On.
- 2** Make sure that the booklet maker is set to auto paper size. Selecting Auto means that the booklet maker will automatically adjust to the same paper format (A4, A3, 8.5"x11" or 11"x17") as the copier.
- 3** Select [Paper tray] (A).
- 4** Select [Staple icon] (B).
- 5** Select [Dup / Combine / Series] (C).
- 6** Select [Book] (D).
- 7** Select [1 Sided] (E) if your originals are only printed on one side or [2 Sided] (F) if they are printed on both sides.
- 8** Select [Magazine] (G).
- 9** Press the [Start key] (H).



Page intentionally blank

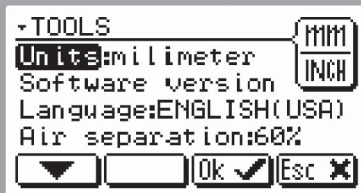
3. Tools

The Tools Screen

The Tools screen.

From the Ready screen, press the [Tools] button to get to the Tools screen. Here you will find all the necessary tools for a troublefree operation.

Units



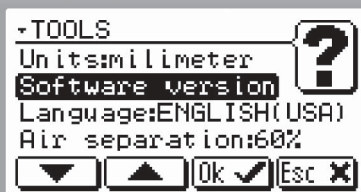
From this screen you can change units between millimeters and inches. Select Units with the [arrow] button and press the [OK] button.



Select the millimeters or inch units and then press the [OK] button.



Software version



Select Software version with the [arrow] button and press the [OK] button. This screen, and sub screens show the software version for the different modules in the booklet making system.



Software version, continues



Select the module in the system for which you want to check the software version and press the [OK] button.



This screen will show software version(s) in the selected module.

Language



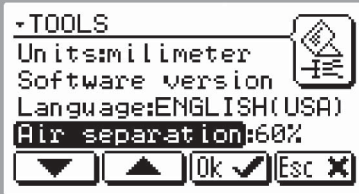
From this screen you can change the language in the user interface.

Select Language with the [arrow] button and press the [OK] button.



Select desired language with the [arrow] button and press the [OK] button.

Air Separation Fan



From this screen you can change the speed of the air separation fan. This screen will only be shown if a cover feeder is present. Select Air separation with the [arrow] button and press the [OK] button.



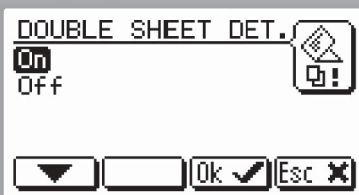
You might want to increase the speed of the air separator fan when running thick, heavy covers. Set the desired speed in increments of 10% with the [+] or [-] buttons and press the [OK] button. Normal user (default) setting is 60%.



Double Sheet Detection



From this screen you can turn the double sheet detection On or Off. Select Double sheet det. with the [arrow] button and press the [OK] button.



Normally double sheet detection should be set to On. However, if you experience “false double sheet feeds”, for example when running covers that are thick, with dark print or with mixed prints on the covers, the double sheet detection can be set to Off.



Service access



This screen is for authorized service personnel only and is password protected.

3

4. Jobs

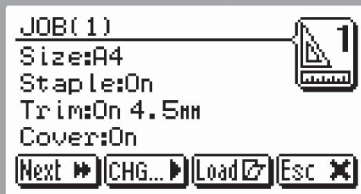
Storing and deleting jobs

The booklet maker has a maximum storage capacity of 10 different jobs. It is not possible to delete jobs, therefore when you need to store a new job, an old job must be overwritten. To make temporary changes in the actual job settings or temporary changes of a stored job, see section 2 Making Booklets.

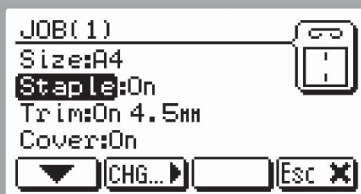
Storing a new Job



To store a new job or add new settings to an existing job you need to start from the Jobs screen. From the ready screen press the [Jobs] button to enter the Jobs screen.



Select an already stored job by pressing the [Next] button. Then press the [Change] button.



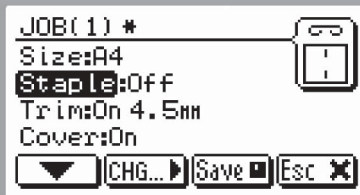
Select the option you want to change with the [arrow] button and then press the [Change] button. See section 2. Making Booklets for how to set up each separate option.

After changing the options press the [OK] button to accept the changes you just made.



Continued on next page.

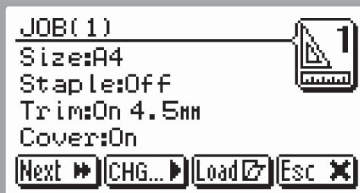
Storing a new Job, continues



To store the job, press the [Save] button.



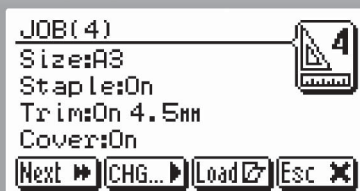
4



If you want to run the actual job, press the [Load] button. The booklet maker will then automatically setup that specific job and return to the Ready screen.



Recalling a Job



To recall a stored job press the [Jobs] button from the Ready screen to enter the Jobs screen. Select the desired job by pressing the [Next] button. Then press the [Load] button. The booklet maker will then automatically setup that specific job and return to the Ready screen.



5. Clearing Misfeed(s)

Booklet Maker

Clearing misfeed(s)

Inside the Booklet Maker



To clear a misfeed indicated in Area A

- 1** Open the top cover.
- 2** Remove misfed sheets.
- 3** Close the top cover.



To clear a misfeed indicated in Area B

- 1** Open the top cover.
- 2** Close top cover.

If misfeed condition remains:

- 1** Switch off the main power.
- 2** Switch on the main power.

If misfeed condition remains:

- 1** Switch off the main power.
- 2** If a Trimmer is installed, first remove the trim bin to get access to the fold stop. By hand, pull down the fold stop (page 8, item 9).
- 3** Remove misfed sheets.
- 4** Push the fold stop back into the upper position.
- 5** Switch on the main power.

Trimmer

Clearing misfeed(s)

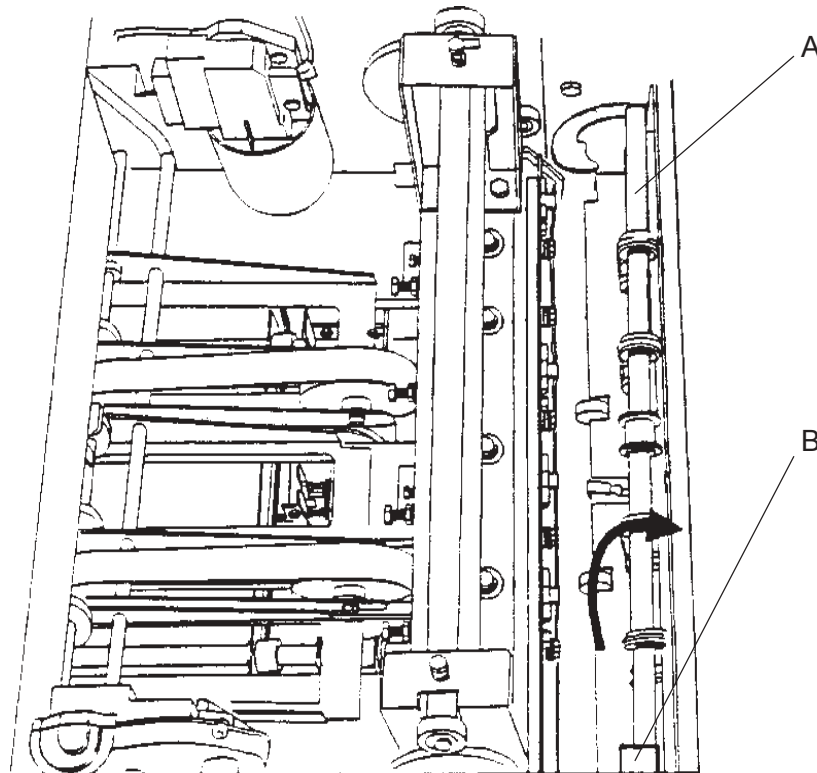
The upper trimmer blade on the trimmer is protected by a knife protection plate that moves away during the cutting stroke. Jams can occur in the input area or the exit area.

⚠ WARNING:
Never put fingers or other parts of the body between the upper and lower trimmer knives.

Clearing misfeed in input area

5

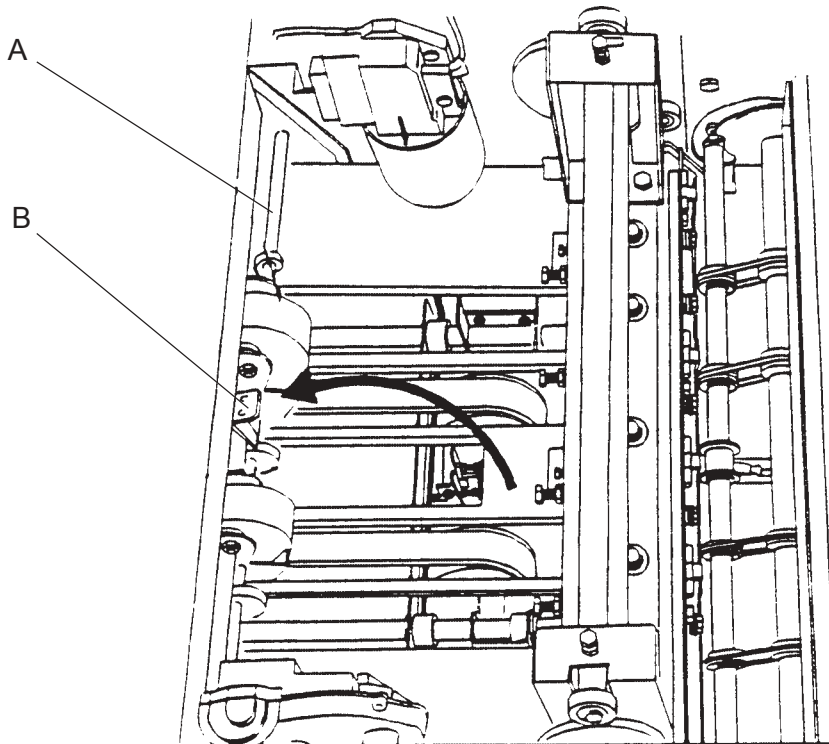
- 1** Lift up the infeed roller shaft (A).
- 2** Secure under latch (B)
- 3** Remove the misfed sheets in the infeed area.
- 4** After the misfed sheets are removed, lift up the latch (B) and place the infeed roller shaft into operating position.



Clearing misfeed(s), continues

Clearing misfeed in exit area

- 1** Lift the exit compressing brackets (A).
- 2** Secure them under the latch (B).
- 3** Remove the misfed sheets from the exit area.
- 4** After the misfed sheets are removed, lift up the latch (B) and place the compressing brackets in operating position.

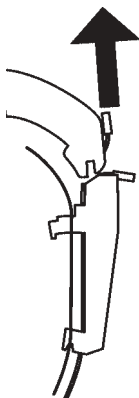
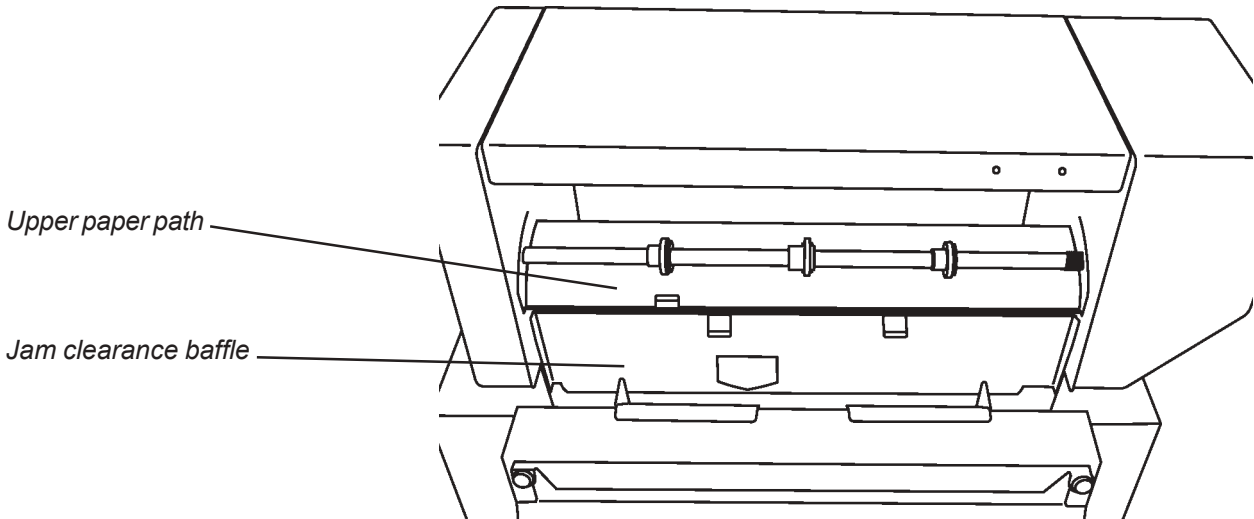


Cover Feeder

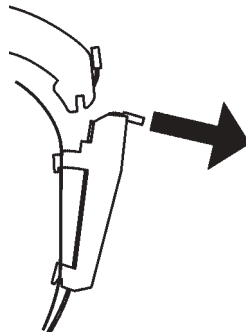
Clearing misfeed(s) in vertical transport area

- 1** Undock the Bookletmaker.
- 2** Lift up the upper paper path (spring loaded) (A).
- 3** Release the jam clearance baffle (B). If necessary, the jam clearance baffle can be removed.
- 4** Remove the misfed cover.
- 5** Put the jam clearance baffle back in normal position (C) and lock it with the upper paper path.

5



A: Lift upper paper path



B: Upper paper path lifted and releasing jam clearance baffle



C: Normal position

6. Troubleshooting

Fault codes

When there is a misfeed or fault condition in the booklet maker system, a message will be displayed on the booklet maker. In case there is a problem that can be rectified by the operator, a fault code and an explanation will be displayed.

Fault codes that can be rectified by the operator:

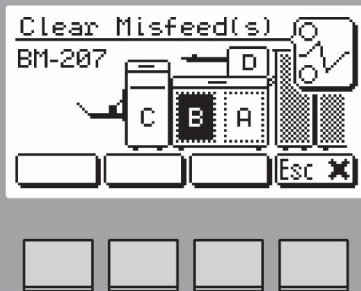
Booklet maker: BM-201 to BM-210 and BM-401
Trimmer: TR-201 to TR-204 and TR-401
Cover feeder: CF-201 to CF-205, CF-401 and CF-501

Note

If procedures in this manual do not rectify the problem an authorized technician will be needed.

General fault codes

Misfeed



In general, fault codes indicate a misfeed condition. When a misfeed occurs, the message “Clear Misfeed(s)”, a code and the jam area will be displayed. See section 5. Clearing Misfeeds, for how to clear a misfeed.

Booklet maker fault codes

Check staples

This message will be displayed when a staple cartridge is empty or when stapling could not be performed. Check in the following order:

- If a staple cartridge is empty, replace according to section 1. Basics.
- If staple cartridges are OK; remove the set and check that the number of sheets is within specifications.
- If staple cartridges are OK and set is within specifications; remove and check stapler head according to section 1. Basics.

Trimmer fault codes

Trim bin full

This message will be displayed when the trim bin is full or when a trim strip, due to static electricity, is prevented from falling down into the trim bin. Empty the trim bin and remove loose trim strips from inside the Trimmer. See section 1. Basics for how to remove the trim bin.

Cover feeder fault codes

Misfeed

This message will be displayed when the cover feeder could not feed a cover from the paper bin. Check cover loading according to section 2. Making Booklets. If problem persists, clean separator pad according to section 7. REMARKS.

Double feed

This message will be displayed when the Cover Feeder detects that more than one cover was fed from the cover bin. If more than one cover was fed, check cover loading according to section 2. Making Booklets. If the covers that are fed are thick, with dark print or with mixed prints on the covers, double feeding may be displayed even if that is not the case. Turn off double sheet detection according to section 3. Tools.

Load covers

This message will be displayed when the paper bin is running low or is empty. Reload paper bin according to section 2. Making Booklets.

7. REMARKS

Do's And Don'ts

- Always follow all warnings marked on, or supplied with, the equipment.
- Always exercise care in moving or relocating the equipment.

 **CAUTION:**

- Unplug the powercord from the wall outlet and machine before you move or relocate the equipment.
- Do not remove the covers or guards that are fastened with screws.
- Do not override or bypass electrical or mechanical interlock devices.
- Do not operate the equipment if you notice unusual noises or odours. Disconnect the powercord from the power source and call your authorized technician to correct the problem.

 **WARNING:**

- Do not put fingers or other parts of the body between the upper and lower trimmer knives.
- Do not switch off the main power switch while machine is running. Make sure machine cycle has ended.
- Do not open covers while machine is running.
- Do not move machine while machine is running.

Where to put Your Machine

Machine environment

- Always locate the equipment on a solid support surface with adequate strength for the weight of the machine.
- Always keep magnets and all devices with strong magnetic fields away from the machine.

If the place of installation is air-conditioned or heated, do not place the machine where it will be:

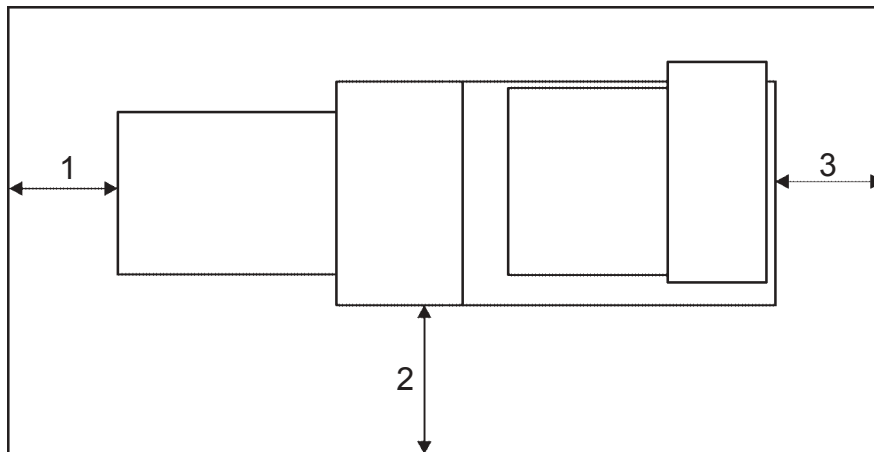
- Subjected to sudden temperature changes.
- Directly exposed to cool air from air-conditioner.
- Directly exposed to heat from heater.

7 Power connection

- **Always** connect the equipment to a properly grounded power source. If in doubt, have the power source checked by a qualified electrician.
- **WARNING:** Improper grounding of the equipment can result in electrical shock.
- **Never** connect the machine to a power source that lacks a ground connection terminal.

Access to machine

Place the machine near the power source, providing clearance as shown.



1. Left: more than 400 mm / 15 3/4".
2. Front: more than 555 mm / 21 7/8"
3. Right: more than 400 mm / 15 3/4" (off-line use).

Maintaining Your Machines

Never attempt any maintenance function that is not specifically described in this documentation.

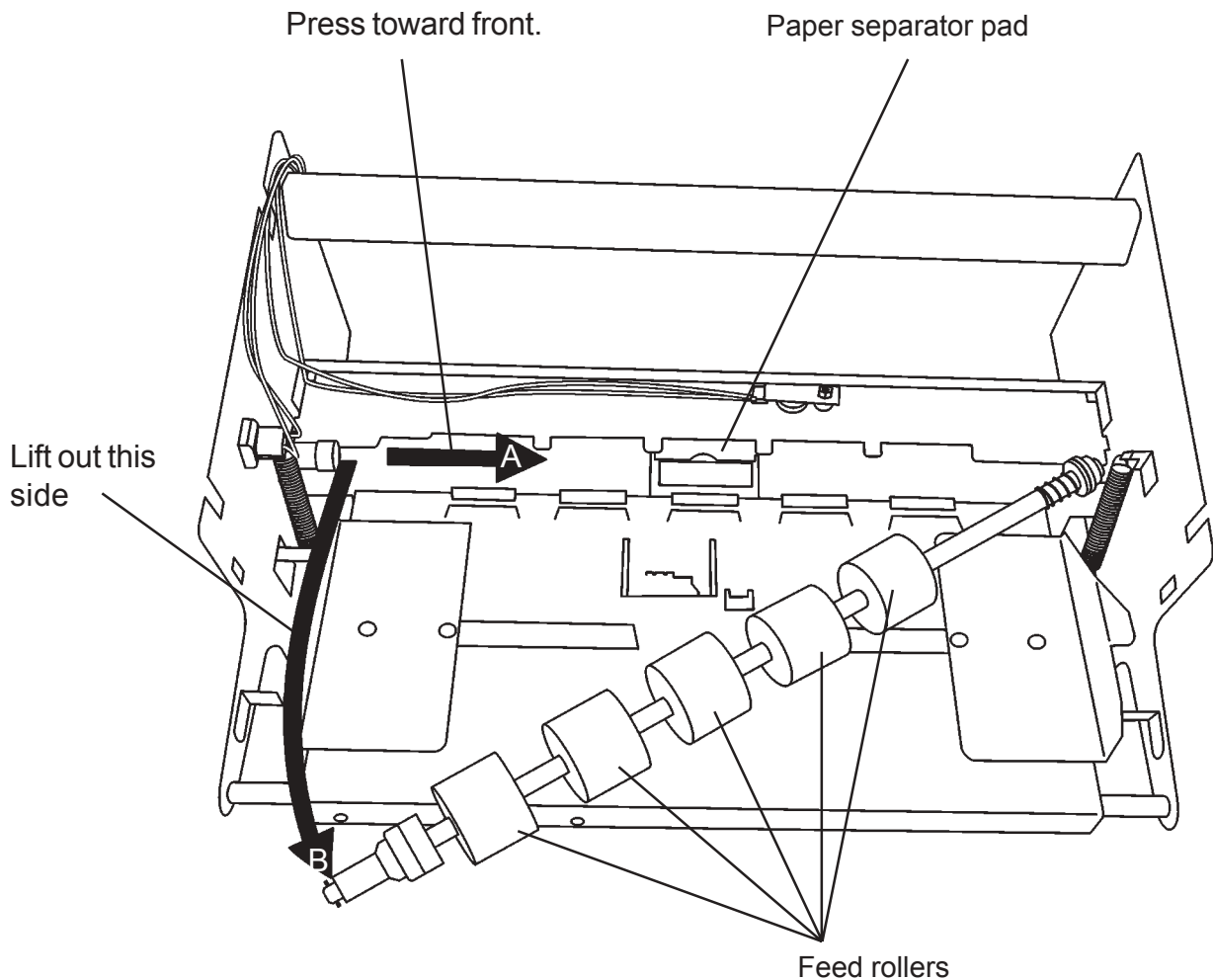
Cover Feeder

Cleaning feed rollers and paper separator pad

The Feed rollers need to be cleaned regularly when in use, and if the unit has not been used for a period of time. How often this should be done, depends on the paper type and print quality.

An increasing number of misfeeds, or double feeds, is one indication of the need to clean.

- 1** Remove the feed roller assembly by pressing it to the front of unit (A). The left end of the feed roller assembly will now be released (B) and the assembly can be removed.
- 2** Clean the Feed rollers and the Paper separator pad with water and a clean lint free cloth.



8. Specification

Machine Specifications

Booklet Maker SR90

Major specifications

	Specifications	Remarks
Speed	Matches output of connected machine (Maximum 105 ppm)	Maintain engine speed
Standard Paper Sizes	A4, A3, 8.5x11", 8.5x14" & 11x17"	Custom sizes are available
Paper Weight (Minimum)	64 gsm/17 lb. Bond	
Paper Weight (Maximum)	240 gsm/135 lb. Index/ 90 lb. Cover	
Input / Output Sheets	2 - 20 Sheets (80 gsm / 20 lb. Bond, equivalent)	Stapled
Input / Output Sheets	2 Sheets	Non Stapled Folding
Off-line Use	Possible	Staple/ Fold (2 staples)
Weight	81 kg / 178.6 lb. or less	
Dimensions (L x H x D)	1370 x 810 x 620 mm / 53 15/16 x 31 7/8 x 24 7/16	Incl. Base and Stacker
Power Source	100/110/115/127/220/230 50-60Hz	± 10%
Power consumption	250 W or less	Continuous Operations

Trimmer TR90 (option)

	Specifications	Remarks
Speed	Same as SR90	
Standard Paper Sizes	Same as SR90	Custom sizes are available
Default trim length	4,5 mm / (11/64")	Adjustable
Minimum trimming	0,5 mm / (1/64")	
Maximum trimming	12,5 mm / (1/2")	
Paper Weight (Minimum)	Same as SR90	
Paper Weight (Maximum)	Same as SR90	
Input / Output Sheets	Same as SR90	
Input / Output Sheets	Same as SR90	
Off-line Use	Yes, when connected to Booklet Maker	Staple / Fold (2 staples)
Weight	57 kg/ 125.7 lb. or less	
Dimensions (L x H x D)	360 x 880 x 620 mm / 14 3/16x 34 5/8 x 31 5/8"	Trimmer only

Cover Feeder CF90 (option)

	Specifications	Remarks
Maximum Speed	Same as SR90	
Standard Paper Sizes	Same as SR90	
Paper Weight (Minimum)	70 gsm/ 18 lb. Bond	
Paper Weight (Maximum)	Same as SR90	
Cover Feeder Capacity	20 mm (13/16"). Approx. 200 sheets of 80gr/m2 (200 sheets of 20lb. Bond)	
Off-line Use	Yes, when connected to Booklet Maker	Staple / Fold (2 staples)
Weight	12.5 kg/ 27.56 lb. or less	
Dimensions	645 x 188 x 560 mm / 25 3/8 x 7 7/16 x 22 1/16	Cover feeder only

INDEX

A

Access to machine 43
Air Separation Fan 31

B

Basics 15
Begin On-line Production 27
Booklet Maker 35, 45

C

Changing options 10
Changing settings 21
Check staples 40
Cleaning feed rollers and paper separator pad 44
Clearing Misfeed(s) 35
Clearing misfeed(s), Booklet Maker 35
Clearing misfeed(s), Cover Feeder 38
Clearing misfeed(s), Trimmer 36
Components, guide to 7
Cover Feeder 44, 46
Cover Feeder On or Off 25
Covers 25
Custom paper size 22

D

Docking / Undocking 15
Docking the Booklet Maker 15
Do's and Don'ts 41
Do's And Don'ts 41
Double Feed 40
Double Sheet Detection 31

F

Fault codes 39
Fault codes, Booklet Maker 40
Fault codes, Cover Feeder 40
Fault codes, general 39
Fault codes, Trimmer 40
Feed rollers 44

G

Guide To Components 7
Guide To Components, Booklet Maker 7
Guide To Components, Control Panel 13
Guide To Components, Cover Feeder 12
Guide To Components, Trimmer 10

I

Inches to millimeters 29

J

Job, recalling 34
Job, storing a new 33, 34
Jobs 33
Jobs, storing and deleting 33

L

Language 30
Load covers 40

M

Machine environment 42
Machine, positioning 42
Machine Specifications 45
Main power. See Turning On / Off the Main Power
Maintaining Your Machines 44
Major specifications 45
Making Booklets 21
Millimeters to inches 29
Misfeed 39, 40
Misfeed(s), clearing 35

O

Off-line mode 26
On-line mode 26
On-line/Off-line 26
Options. See Changing options

P

Paper Size, custom 22
Paper Size, fine adjustments 22
Paper Size, setting 21
Paper Sizes, selecting standard 21
Power connection 42

R

REMARKS 41

S

Separator pad 44
Service access 32
Setting Paper Size 21
Software version 29
Specification 45
Standard paper sizes, selecting 21
Staple cartridge, installing 18
Staple cartridge, removing 18
Stapler Cartridge 18, 19
Stapler Head 19
Stapler head, installing 19
Stapler head, removing 19
Stapling 23
Stapling On or Off 23

T

Tools 29
Tools Screen 29
Trim bin, emptying 20
Trim bin full 40
Trimme 46
Trimmer 36
Trimming 24
Trimming On or Off 24
Troubleshooting 39
Turning On / Off the Main Power 17

U

Undocking 15
Undocking the Booklet Maker 16
Units 29

W

What You Can Do with This Machine 5
Where to put Your Machine 42

Page intentionally blank