



# QUANTUM PARTS LIST



GBC IS AN ACCO BRANDS COMPANY

## 8.0 PARTS LIST - Quantum P70iX

All parts in each illustration are keyed with an index number for reference to the respective part number and name in the parts list. The quantities listed give the total used in the machine assembly.

NOTE: The Hanover Park Illinois Service Parts Department has access to ALL of the hardware used in this machine. If the original equipment hardware has been lost or damaged, we encourage you to order the proper hardware as listed in this service manual to keep the machine in top condition.

## 8.0 PARTS LIST - Quantum P70iX

### 8.1 Die Set Punch Pin Listing (Die Set not shown)

Die Set repair is not recommended other than to clean and lubricate the Punch Pins. Punch pins are listed here as a service item only in the event that some may be lost.

| Part Number | Description                        | Qty |
|-------------|------------------------------------|-----|
| 7703425     | MAGNET                             | 1   |
| 1902656     | SCREWS, HANDLE, FLT HD 10-32 x 5/8 | 2   |
| 7703295     | PUNCH PIN, #1 PB                   | 5   |
| 7703296     | PUNCH PIN, #2 PB                   | 5   |
| 7703297     | PUNCH PIN, #3 PB                   | 5   |
| 7703298     | PUNCH PIN, #4 PB                   | 5   |
| 7703299     | PUNCH PIN, #5 PB                   | 5   |
| 7703337     | PUNCH PIN, #1 C4 RND               | 10  |
| 7703338     | PUNCH PIN, #2 C4 RND               | 10  |
| 7703339     | PUNCH PIN, #3 C4 RND               | 10  |
| 7703340     | PUNCH PIN, #4 C4 RND               | 10  |
| 7703341     | PUNCH PIN, #5 C4 RND               | 8   |
| 7703065     | PUNCH PIN, #1 C4 OVAL              | 10  |
| 7703066     | PUNCH PIN, #2 C4 OVAL              | 10  |
| 7703067     | PUNCH PIN, #3 C4 OVAL              | 10  |
| 7703068     | PUNCH PIN, #4 C4 OVAL              | 10  |
| 7703069     | PUNCH PIN, #5 C4 OVAL              | 8   |

8.0 PARTS LIST - Quantum P70iX

**8.1 Die Set (not shown) Punch Pin Listing (Continued)**

Die Set repair is not recommended other than to clean and lubricate the Punch Pins. Punch pins are listed here as a service item only in the event that some may be lost.

| <b>Part Number</b> | <b>Description</b>                    | <b>Qty</b> |
|--------------------|---------------------------------------|------------|
| 7703393            | PUNCH PIN, #1 W3 SQUARE               | 7          |
| 7703394            | PUNCH PIN, #2 W3 SQUARE               | 7          |
| 7703395            | PUNCH PIN, #3 W3 SQUARE               | 7          |
| 7703396            | PUNCH PIN, #4 W3 SQUARE               | 7          |
| 7703397            | PUNCH PIN, #5 W3 SQUARE               | 6          |
| 7703439            | PUNCH PIN #1, W3 ROUND                | 7          |
| 7703440            | PUNCH PIN #2, W3 ROUND                | 7          |
| 7703441            | PUNCH PIN #3, W3 ROUND                | 7          |
| 7703442            | PUNCH PIN #4, W3 ROUND                | 7          |
| 7703443            | PUNCH PIN #5, W3 ROUND                | 6          |
| 7703465            | PUNCH PIN #1, W2 SQUARE               | 5          |
| 7703466            | PUNCH PIN #2, W2 SQUARE               | 4          |
| 7703467            | PUNCH PIN #3, W2 SQUARE               | 4          |
| 7703468            | PUNCH PIN #4, W2 SQUARE               | 4          |
| 7703469            | PUNCH PIN #5, W2 SQUARE               | 4          |
| 7703222            | PUNCH PIN #1, W2 ROUND                | 5          |
| 7703223            | PUNCH PIN #2, W2 ROUND                | 4          |
| 7703224            | PUNCH PIN #3, W2 ROUND                | 4          |
| 7703225            | PUNCH PIN #4, W2 ROUND                | 4          |
| 7703226            | PUNCH PIN #5, W2 ROUND                | 4          |
| 7703491            | PUNCH PIN #1, VELOBIND/SUREBIND       | 12         |
| 7703479            | PUNCH PIN #1, LOOSE LEAF, 2-4 / 3-5-7 | 7          |

**PARTS CROSS REFERENCE BY ASTERISK PART NUMBER**

| AST PN   | GBC PN   | ItemName   |
|----------|----------|--|
| 21s50500 | 7707586  | URETHANE SHEET 50DURO SORBATHANE BLACK 0.500 THK                                 |
| 2INA5032 | 7707420  | Adhesive Back Commercial-Grade Neoprene Strip 1/32" Thk, 2" WD, 36" Lg, Black    |
| 2LCGCK11 | 7707495  | Mini Grip Conveyor Roller Soft Urethane 30-A Durometer, 1/2" Shaft, 1" OD        |
| 2LCGCK16 | 7707497  | Mini Grip Conveyor Roller Soft Urethane 30-A Durometer, 3/4" Shaft, 1-1/2" OD    |
| 2W020W8A | 9790006  | SHEET OF COPY PAPER WHITE 8-1/2 X 11, 20# BOND                                   |
| 2W020WA1 | 7707587  | SHEET OF COPY PAPER WHITE A4 (210MM X 297MM), 20# BOND                           |
| 2WC70C8A | 9742011G | 8.5 X 11, 7mm, Clear Cover Stock   |
| 2WCLNB8A | 9742450G | 8.5 X 11, 16lb, Linen Cover Stock  |
| 2WCRGB8A | 9742491G | 8.5 X 11 Regency Cover Stock, Black  |
| 2WT6558A | 9675006  | 8.5 X 11, 5-up Tab Stock   |
| 2XBPC001 | 1771511  | POLYETHYLENE BAG COVER, 4 MIL, 60 X 56 X 104                                     |
| 2XLBL003 | 7707588  | Color Coding Dots, Light Blue, 1/4"  |
| 2zadtpf1 | 7707589  | DOUBLE COATED FOAM TAPE POLYETHYLENE, RUBBER ADHESIVE 0.031" X 0.5"              |
| 2ZADTUM7 | 7707590  | UHMW Polyethylene Tape 3/4" Width X 18 Yards Length, .0065" Total Thk            |
| 2ZADTUM8 | 1771397  | UHMW POLYETHYLENE TAPE ACRYLIC ADHESIVE 0.008" X 1.000"                          |
| 30FAN160 | 1730640  | FLAT WASHER AN 960 C, STAINLESS 0.265ID X 0.500OD X 0.073THK                     |
| 30FDS102 | 1925603  | FENDER WASHER 18-8 STAINLESS #8, 11//64ID X 3/4OD X 0.040THK                     |
| 30FDS103 | 1925604  | FENDER WASHER 18-8 STAINLESS #10, 13/64ID X 11/16OD X 0.050THK                   |
| 30FDS114 | 1925605  | FENDER WASHER 18-8 STAINLESS 3/8, 13/32ID X 1-1/4OD X 0.062THK                   |
| 30FFH010 | 1925080  | FINISHED FLAT WASHER STEEL, CASE-HARDENED, THICK #10, 13/64ID X 1/2OD X 3/32 THK |
| 30FFH025 | 1925081  | FINISHED FLAT WASHER STEEL, CASE-HARDENED, THICK 1/4, 9/32ID X 5/8OD X 1/8THK    |
| 30FMS109 | 1925067  | FLAT WASHER MS15795 MIL, STAINLESS 0.125ID X 0.250OD X 0.028THK                  |
| 30FMS110 | 1925062  | FLAT WASHER MS 15795 MIL, STAINLESS #4, 0.125ID X 0.312OD X 0.040THK             |
| 30FMS116 | 1925063  | FLAT WASHER MS 15795 MIL, STAINLESS #6, 0.156ID X 0.375OD X 0.065THK             |
| 30FMS125 | 1925064  | FLAT WASHER MS 15795 MIL, STAINLESS #8, 0.188ID X 0.375OD X 0.065THK             |
| 30FMS130 | 1925060  | FLAT WASHER MS 15795 MIL, STAINLESS #10, 0.219ID X 0.438OD X 0.065THK            |
| 30FMS155 | 1925069  | FLAT WASHER MS 15795 MIL, STAINLESS 1/4, 0.281ID X 0.625OD X 0.080THK            |
| 30FMS185 | 1925066  | FLAT WASHER MS 15795 MIL, STAINLESS 5/16, 0.344ID X 0.688OD X 0.080THK           |
| 30fms199 | 7707591  | FLAT WASHER MS 15795 MIL, STAINLESS 3/8, 0.406ID X 0.812OD X 0.080THK            |
| 30FMS202 | 7707592  | FLAT WASHER MS 15795 MIL, STAINLESS 7/16, 0.468ID X 0.921OD X 0.080 THK          |
| 30SLW004 | 1926060  | SPRING LOCK WASHER REGULAR, 18-8 STAINLESS #4                                    |
| 30SLW006 | 1926061  | SPRING LOCK WASHER REGULAR, 18-8 STAINLESS #6                                    |

|          |            |   |
|----------|------------|---|
| 30SLW008 | 1926062    | SPRING LOCK WASHER REGULAR, 18-8 STAINLESS #8   |
| 30SLW010 | 1926063    | SPRING LOCK WASHER REGULAR, 18-8 STAINLESS #10  |
| 30SLW025 | 1926064    | SPRING LOCK WASHER REGULAR, 18-8 STAINLESS 1/4"   |
| 30SLW031 | 1926065    | SPRING LOCK WASHER REGULAR, 18-8 STAINLESS 5/16"  |
| 30slw038 | 1926066    | SPRING LOCK WASHER REGULAR, 18-8 STAINLESS 3/8"   |
| 30SLW044 | 7707593    | Zinc-Plated Steel Spring Lock Washer 7/16" Screw Sz, .450" ID, .776" OD, .109" Min Thk            |
| 30slw050 | 1730644    | SPRING LOCK WASHER REGULAR, 18-8 STAINLESS 1/2"   |
| 31CDCK68 | 7707594    | Grade 1074 Hi-Carbon Steel Curved Disc Spring 5/8" Hole, 3/8" Rod, .400" ID, .612" OD, .0130" Thk |
| 31CDSK85 | 7707595    | 301 Stainless Steel Curved Disc Spring 13/16" Hole, 1/2" Rod, .531" ID, .795" OD, .0170" Thk      |
| 31CDSK94 | 7707596    | CURVED DISK SPRING 301 SS 0.75ID X 1.125OD  |
| 31DRB004 | 1730394    | DRILL BUSHING, HEADLESS, PRESS FIT, 0.2031ID X 3/8 OD X 1/4L                                      |
| 31MBC121 | 7707421    | MACHINERY BUSHING LOW-CARBON MILD STEEL 1/2ID X 7/8OD X 0.075THK                                  |
| 31NYF059 | 7707422    | NYLON FLAT WASHER, REGULAR NATURAL COLOR #4, 0.120ID X 0.218OD X 0.031THK                         |
| 31NYF070 | 7707423    | NYLON FLAT WASHER, REGULAR NATURAL COLOR #5, 0.130ID X 0.285OD X 0.062THK                         |
| 31NYF140 | 7707424    | NYLON FLAT WASHER, REGULAR NATURAL COLOR 1/4, 0.252ID X 0.472OD X 0.060THK                        |
| 31NYF170 | 7707425    | NYLON FLAT WASHER, REGULAR NATURAL COLOR 3/8, 0.390ID X 0.75OD X 0.062THK                         |
| 31NYF187 | 7707426    | NYLON FLAT WASHER, REGULAR NATURAL COLOR 1/2, 0.505 X 0.750 X 0.062 THK                           |
| 31NYN120 | 9950257000 | NYLON FLAT WASHER, NARROW RIM NATURAL COLOR 1/4ID X 3/8OD X 1/32THK                               |
| 31NYN170 | 7707428    | NYLON FLAT WASHER, NARROW RIM NATURAL COLOR 1/2ID X 11/16OD X 1/32THK                             |
| 31NYN210 | 7707429    | NYLON FLAT WASHER, NARROW RIM NATURAL COLOR 5/8ID X 13/16OD X 1/32THK                             |
| 31NYN280 | 7707430    | Nylon 6/6 Small-OD Flat Washer 1" ID, 1-1/4" OD, .063" Thick                                      |
| 31RCW050 | 7707431    | CUSHIONING WASHER PURE-RUBBER 1/2, 0.490ID X 1.062OD X 0.093THK                                   |
| 31SHS745 | 7707432    | 18-8 S.S. Shoulder Screw Shim - Shortening .030" Thick, 3/8" Shoulder Dia, .376" ID, .563" OD     |
| 31TBWK65 | 7707499    | 1.250 ID X 1.94 OD X 1/8 THICK THRUST BEARING WASHER  |
| 31WSSK69 | 7707463    | WAVE DISK SPRING 1.261ID X 1.621 OD X 0.0185THK 18LB @ 0.0185DEF                                  |
| 32BHS825 | 7707597    | BUTTON HEAD SOCKET CAP SCREW 18-8 STAINLESS #4-40 X 1/4   |
| 32bhsc50 | 7707598    | BUTTON HEAD SOCKET CAP SCREW 18-8 STAINLESS #6-32 X 1/2   |
| 32bhse50 | 1730400    | BUTTON HEAD SOCKET CAP SCREW 18-8 STAINLESS #8-32 X 1/2   |
| 32BHSF38 | 1980279    | BUTTON HEAD SOCKET CAP SCREW 18-8 STAINLESS #10-32 X 3/8  |
| 32BHSF50 | 1980281    | BUTTON HEAD SOCKET CAP SCREW 18-8 STAINLESS #10-32 X 1/2  |
| 32BHSA3  | 7707599    | BUTTON HEAD SOCKET CAP SCREW 18-8 STAINLESS #10-32 X 1-1/4  |
| 32BHSA8  | 7707600    | 18-8 SS Button Head Socket Cap Screw 10-32 Thread X 1-3/4" Length                                 |
| 32BHSI50 | 1980303    | BUTTON HEAD SOCKET CAP SCREW 18-8 STAINLESS #1/4-20 X 1/2   |
| 32fhcf50 | 7707601    | FLAT HEAD SOCKET CAP SCREW, ALLOY STEEL, BLACK FINISH, #10-32 X 1/2                               |
| 32FHS875 | 7707602    | FLAT HEAD SOCKET CAP SCREW 18-8 STAINLESS #4-40 X 3/4   |

|          |            |  |
|----------|------------|--|
| 32FHSC38 | 1980432    | FLAT HEAD SOCKET CAP SCREW 18-8 STAINLESS #6-32 X 3/8  |
| 32FHSC50 | 7707603    | FLAT HEAD SOCKET CAP SCREW 18-8 STAINLESS #6-32 X 1/2  |
| 32FHSE38 | 1980456    | FLAT HEAD SOCKET CAP SCREW 18-8 STAINLESS #8-32 X 3/8  |
| 32fhse75 | 7707604    | FLAT HEAD SOCKET CAP SCREW, 18-8 STAINLESS, #8-32 X 3/4                                      |
| 32FHSEA0 | 7707605    | FLAT HEAD SOCKET CAP SCREW 18-8 STAINLESS #8-32 X 1  |
| 32FHSF38 | 1980479    | FLAT HEAD SOCKET CAP SCREW 18-8 STAINLESS #10-32 X 3/8                                       |
| 32FHSF50 | 1980461    | FLAT HEAD SOCKET CAP SCREW 18-8 STAINLESS #10-32 X 1/2                                       |
| 32FHSF63 | 1980483    | FLAT HEAD SOCKET CAP SCREW 18-8 STAINLESS #10-32 X 5/8                                       |
| 32FHSF75 | 7707606    | 18-8 SS Flat Head Socket Cap Screw 10-32 Thread, 3/4" Length                                 |
| 32FHSA0  | 1980486    | FLAT HEAD SOCKET CAP SCREW 18-8 STAINLESS #10-32 X 1   |
| 32FHSA3  | 1980488    | FLAT HEAD SOCKET CAP SCREW 18-8 STAINLESS #10-32 X 1 1/4                                     |
| 32FHSA5  | 1980503    | FLAT HEAD SOCKET CAP SCREW 18-8 STAINLESS #1/4-20 X 1/2                                      |
| 32FPMF25 | 7707607    | FLAT HEAD PHILLIPS MACHINE SCREW, #10-32 X 1/4   |
| 32HHSK75 | 1951991    | HEX HEAD SCREW GRADE 5 5/16-18 X 3/4   |
| 32NHSC31 | 7707608    | SOCKET HEAD CAP SCREW, NYLON, #6-32 X 5/16   |
| 32PPEC38 | 7707609    | PANHEAD PHILLIPS W/EXTERNAL LOCK WASHER ZINC PLATED STEEL 6-32 X 3/8                         |
| 32PPEF38 | 7707501    | PANHEAD PHILLIPS W/EXTERNAL LOCK WASHER ZINC PLATED STEEL 10-32 X 3/8                        |
| 32PPEI50 | 7707610    | Pan Head Phil Machine Screw W/External Washer Zinc-Plated Steel, 1/4"-20 Thread, 1/2" Length |
| 32SFSIC5 | 7707611    | 18-8 Stainless Steel Fully Threaded Stud 1/4"-20 Thread, 3-1/2" Length                       |
| 32SHCF75 | 1900563    | SOCKET HEAD CAP SCREW, #10-32 X .75, ALLOY STEEL   |
| 32SHCFA0 | 7707612    | SOCKET CAP SCREW, ALLOY STEEL, BLACK FINISH, #10-32 X 1.00                                   |
| 32SHCI50 | 7707613    | SOCKET CAP SCREW ALLOY STEEL, BLACK FINISH 1/4-20 X 1/2                                      |
| 32SHCIA5 | 7707614    | SOCKET CAP SCREW ALLOY STEEL, BLACK FINISH #1/4-20 X 1-1/4                                   |
| 32SHCIC3 | 7707615    | SOCKET CAP SCREW ALLOY STEEL, BLACK FINISH 1/4-20 X 3-1/4                                    |
| 32SHCKA0 | 7707616    | Alloy Steel Socket Head Cap Screw 5/16"-18 Thread, 1" Length                                 |
| 32SHCKA3 | 7707617    | Alloy Steel Socket Head Cap Screw 5/16"-18 Thread, 1-1/4" Length                             |
| 32shs831 | 1980021    | SOCKET CAP SCREW 18-8 STAINLESS #4-40 X 5/16   |
| 32SHS856 | 1980022    | SOCKET CAP SCREW 18-8 STAINLESS #4-40 X 9/16   |
| 32SHS863 | 1730414    | SOCKET CAP SCREW 18-8 STAINLESS #4-40 X 5/8  |
| 32SHS875 | 7707618    | SOCKET CAP SCREW 18-8 STAINLESS #4-40 X 3/4  |
| 32SHS8A0 | 1730658    | SOCKET CAP SCREW 18-8 STAINLESS #4-40 X 1  |
| 32SHS8A5 | 0147080007 | SOCKET CAP SCREW 18-8 STAINLESS #4-40 X 1-1/2  |
| 32SHSC25 | 1980027    | SOCKET CAP SCREW 18-8 STAINLESS #6-32 X 1/4  |
| 32SHSC44 | 1730417    | SOCKET CAP SCREW 18-8 STAINLESS #6-32 X 7/16   |
| 32SHSE19 | 1922108    | SOCKET CAP SCREW 18-8 STAINLESS #8-32 X 3/16   |
| 32SHSE38 | 1980047    | SOCKET CAP SCREW 18-8 STAINLESS #8-32 X 3/8  |
| 32SHSE50 | 1922111    | SOCKET CAP SCREW 18-8 STAINLESS #8-32 X 1/2  |
| 32SHSE63 | 1980051    | SOCKET CAP SCREW 18-8 STAINLESS #8-32 X 5/8  |
| 32SHSE75 | 1730422    | SOCKET CAP SCREW 18-8 STAINLESS #8-32 X 3/4  |
| 32SHSEA0 | 7707619    | SOCKET CAP SCREW 18-8 STAINLESS #8-32 X 1  |
| 32SHSF31 | 1980069    | SOCKET CAP SCREW 18-8 STAINLESS #10-32 X 5/16  |
| 32SHSF38 | 1980070    | SOCKET CAP SCREW 18-8 STAINLESS #10-32 X 3/8   |
| 32SHSF50 | 1980072    | SOCKET CAP SCREW 18-8 STAINLESS #10-32 X 1/2   |
| 32SHSF75 | 1980075    | SOCKET CAP SCREW 18-8 STAINLESS #10-32 X 3/4   |
| 32SHSF88 | 1980076    | SOCKET CAP SCREW 18-8 STAINLESS #10-32 X 7/8   |
| 32SHSFA0 | 1980077    | SOCKET CAP SCREW 18-8 STAINLESS #10-32 X 1   |
| 32SHSFA3 | 1980079    | SOCKET CAP SCREW 18-8 STAINLESS #10-32 X 1-1/4   |
| 32SHSFA5 | 1980080    | SOCKET CAP SCREW 18-8 STAINLESS #10-32 X 1-1/2   |
| 32SHSFA8 | 1980081    | SOCKET CAP SCREW 18-8 STAINLESS #10-32 X 1 3/4   |

|           |         |   |
|-----------|---------|---|
| 32SHSFB0  | 1980082 | SOCKET CAP SCREW 18-8 STAINLESS #10-32 X 2  |
| 32SHSI38  | 1980093 | SOCKET CAP SCREW 18-8 STAINLESS #1/4-20 X 3/8   |
| 32SHSI50  | 1980094 | SOCKET CAP SCREW 18-8 STAINLESS #1/4-20 X 1/2   |
| 32SHSI63  | 1980095 | SOCKET CAP SCREW 18-8 STAINLESS #1/4-20 X 5/8   |
| 32SHSI88  | 1980097 | SOCKET CAP SCREW 18-8 STAINLESS #1/4-20 X 7/8   |
| 32SHSIA0  | 1980098 | SOCKET CAP SCREW 18-8 STAINLESS #1/4-20 X 1   |
| 32SHSIA5  | 1980101 | SOCKET CAP SCREW 18-8 STAINLESS #1/4-20 X 1-1/2                                       |
| 32SHSIB0  | 1730438 | SOCKET CAP SCREW 18-8 STAINLESS #1/4-20 X 2   |
| 32SHSIB3  | 7707620 | SOCKET CAP SCREW 18-8 STAINLESS #1/4-20 X 2-1/4                                       |
| 32THMF50  | 1980630 | TRUSS HEAD PHILLIPS MACHINE SCREW 18-8 STAINLESS #10-32 X 1/2                         |
| 33CLN001  | 7707621 | 1/2" Conduit Locknut, Zinc Plated Steel   |
| 33HJCE20  | 7707622 | Grade 5 Zinc-Plated Steel Hex Thin (Jam) Nut 7/16"-20 Screw Size, 11/16" WD, 1/4" HT  |
| 33hjsd16  | 1980801 | HEX JAM NUT 18-8 STAINLESS 3/8-16   |
| 33HXS440  | 7707623 | HEX NUT 18-8 STAINLESS #4-40  |
| 33HXS832  | 1980701 | HEX NUT 18-8 STAINLESS #8-32  |
| 33HXS A32 | 1980702 | HEX NUT 18-8 STAINLESS #10-32   |
| 33HXS B20 | 1980703 | HEX NUT 18-8 STAINLESS 1/4-20   |
| 33NLS440  | 7707624 | NYLON INSERT HEX LOCK NUT 18-8 STAINLESS #4-40  |
| 33NLS832  | 1980851 | NYLON INSERT HEX LOCK NUT 18-8 STAINLESS #8-32  |
| 33NLS A32 | 1980852 | NYLON INSERT HEX LOCK NUT 18-8 STAINLESS #10-32                                       |
| 33NLS B20 | 1980853 | NYLON INSERT HEX LOCK NUT 18-8 STAINLESS 1/4-20                                       |
| 34cpac13  | 1730450 | CUP POINT SOCKET SET SCREW ALLOY STEEL, BLACK FINISH #6-32 X 1/8                      |
| 34CPAE25  | 7707625 | CUP POINT SOCKET SET SCREW ALLOY STEEL, BLACK FINISH #8-32 X 1/4                      |
| 34CPAF19  | 1900090 | CUP POINT SOCKET SET SCREW ALLOY STEEL, BLACK FINISH #10-32 X 3/16                    |
| 34CPAF38  | 1900091 | CUP POINT SOCKET SET SCREW ALLOY STEEL, BLACK FINISH #10-32 X 3/8                     |
| 34CPAI25  | 1900093 | CUP POINT SOCKET SET SCREW ALLOY STEEL, BLACK FINISH 1/4-20 X 1/4                     |
| 34CPAI38  | 7707626 | CUP POINT SOCKET SET SCREW ALLOY STEEL, BLACK FINISH 1/4-20 X 3/8                     |
| 34CPAI75  | 7707627 | Alloy Steel Cup Point Socket Set Screw 1/4"-20 Thread, 3/4" Length                    |
| 34NLPF38  | 7707502 | NYLON PATCH ALLOY STEEL, BLACK FINISH SET SCREW #10-32 X 3/8                          |
| 34SPBF19  | 1730455 | BRASS TIPPED SOCKET SET SCREW ALLOY STEEL, BLACK FINISH #10-32 X 3/16 LGTH            |
| 34SPBF25  | 7707628 | BRASS TIPPED SOCKET SET SCREW ALLOY STEEL, BLACK FINISH #10-32 X 1/4, 3/64 TIP LGTH   |
| 36DAA020  | 7707629 | DOME HEAD OPEN-END BLIND RIVET ALUMINUM BODY, STEEL MANDREL 1/8 DIA X 0.126-0.187 GRP |
| 36DSS050  | 7707630 | Plain Steel Std Blind Rivet W/Steel Mandrel Dome, 3/16" Dia, .126"-.250" Matl Thk     |
| 36HEL002  | 7707631 | 18-8 SS Screw-Lock Helical Insert 10-32 Internal Thread, .285" Length                 |
| 3710Z250  | 7707433 | E-STYLE RETAINING RING SPRING STEEL, ZINC PLATED 1/4 SHAFT                            |
| 3710Z375  | 7707434 | E-STYLE RETAINING RING SPRING STEEL, ZINC PLATED 3/8 SHAFT                            |



|          |         |   |
|----------|---------|---|
| 3710Z500 | 7707435 | E-STYLE RETAINING RING SPRING STEEL, ZINC PLATED 1/2 SHAFT                                    |
| 3731Z375 | 7707464 | Retaining Ring Series 3100.352G .029W .36W  |
| 3731Z500 | 7707465 | Retaining ring series 3100 .468G .039W .048E  |
| 3731Z875 | 7707466 | Retaining Ring Series 3100.821G .046W   |
| 3731ZA25 | 7707632 | Retaining Ring Series 3100 1.176G .056W   |
| 3741Z750 | 7707436 | External Retaining Ring, 3/4" shaft, inside lugs  |
| 3771Z500 | 7707467 | SELF-LOCKING EXTERNAL RETAINING RING SPRING STEEL, 1/2 SHAFT                                  |
| 37ESRA25 | 7707468 | Spring Steel External Spiral Retaining Ring For 1-1/4" Shaft Dia, Fits 1.176" Groove Dia      |
| 38C1A375 | 7707633 | ONE-PIECE CLAMP STYLE COLLAR ALUMINUM 3/8ID X 7/8OD X 3/8W                                    |
| 38C1C500 | 9950012 | ONE-PIECE CLAMP STYLE COLLAR STEEL, BLACK FINISH 1/2ID X 1-1/8OD X 13/32W                     |
| 38C2C500 | 7707634 | TWO-PIECE CLAMP STYLE COLLAR STEEL, BLACK FINISH 1/2ID X 1-1/8OD X 13/32W                     |
| 38CIA750 | 7707635 | One-Piece Aluminum Clamp-On Collar 3/4" Bore, 1-1/2" Outside Diameter, 1/2" Width             |
| 38SSA375 | 7707636 | SHAFT COLLAR, SET SCREW STYLE, STEEL (ZINC PLATED) 0.375 ID                                   |
| 39WCS404 | 7707469 | WOODRUFF KEY PLAIN STEEL USA #404   |
| 3ACCS575 | 7707438 | COILED SPRING PIN CARBON STEEL, PLAIN FINISH 1/8 X 3/4  |
| 3ACCS5A0 | 7707439 | COILED SPRING PIN CARBON STEEL, PLAIN FINISH 1/8 X 1  |
| 3ACCS5A3 | 7707440 | COILED SPRING PIN CARBON STEEL, PLAIN FINISH 1/8 X 1-1/4                                      |
| 3ACCS675 | 7707441 | COILED SPRING PIN CARBON STEEL, PLAIN FINISH 5/32 X 3/4                                       |
| 3ADCS550 | 7707437 | 1/8 X 1/2 hardened steel dowel pin  |
| 3ADCS5A0 | 7707471 | DOWEL PIN ALLOY STEEL, HARDENED AND GROUND 1/8 X 1  |
| 3ADCSB75 | 7707442 | DOWEL PIN ALLOY STEEL, HARDENED AND GROUND 3/8 X 3/4  |
| 3ADCSI06 | 7707637 | Metric 18-8 Hardened Steel Dowel Pin M2 Diameter, 6mm Length                                  |
| 3ARCS5B0 | 7707443 | Plain Steel Spring Pin 1/8" Dia, 2" Length  |
| 3BPSK419 | 7707638 | 18-8 SS Precision Hex Socket Shoulder Screw 1/4" Shoulder Dia, 3/16" L Shoulder, 10-32 Thread |
| 3CRSA443 | 7707639 | ROUND SPACER ALUMINUM 1/4OD X #4ID X 3/16L  |
| 3CRSA464 | 7707640 | ROUND SPACER, ALUMINUM, 1/4 OD X #6 ID X 1/4 LONG   |
| 3CRSA5A2 | 1924817 | ROUND SPACER ALUMINUM 5/16OD X #10ID X 1/4L   |
| 3CRSA6A4 | 7707641 | Aluminum Unthreaded Round Spacer 3/8" OD X #10 ID X 1/4" LONG                                 |
| 3CRSA6A8 | 1924819 | ROUND SPACER ALUMINUM 3/8 OD X #10 X 1/2 L  |
| 3CRSA6AC | 1924820 | ROUND SPACER ALUMINUM 3/8OD X #10ID X 3/4L  |
| 3CRSA6AE | 7707642 | ROUND ALUMINUM SPACER 3/8 OD X #10 ID X 7/8 LONG  |
| 3CRSA6AK | 7707643 | ROUND SPACER ALUMINUM 3/8OD X #10 ID X 1-1/4 LONG   |
| 3CRSA88C | 7707644 | Aluminum Unthreaded Round Spacer 1/2" OD X #8 ID X 3/4 LONG                                   |
| 3CRSA8A8 | 1730467 | ROUND SPACER ALUMINUM 1/2OD X #10ID X 1/2L  |
| 3CRSA8C6 | 1730468 | ROUND SPACER ALUMINUM 1/2OD X 1/4ID X 3/8L  |
| 3CRSC6A4 | 7707645 | ROUND SPACER, ZINC PLATED STEEL, 3/8OD X #10ID X 1/4L   |
| 3CRSC6AA | 1730471 | ROUND SPACER, ZINC PLATED STEEL, 3/8OD X #10 ID X 5/8L  |
| 3CRSC8AA | 1730472 | ROUND SPACER, STEEL, 0.500 OD X 0.192 ID X 0.625 LG   |
| 3CRSC8AG | 9950271 | ROUND SPACER STEEL 1/2OD X #10ID X 1L   |
| 3CRSN44E | 7707646 | Nylon Unthreaded Round Spacer 1/4" OD, 7/8" Length, #4 Screw Size                             |
| 3CRSN488 | 7707647 | Nylon Unthreaded Round Spacer 1/4" OD, 1/2" Length, #8 Screw Size                             |
| 3CRSN686 | 1771450 | ROUND SPACER NYLON 3/8OD X #8ID X 3/8L  |
| 3DRSAABG | 1730477 | ROUND STANDOFF, ALUMINUM, 5/8OD X #10-32ID X 1L   |
| 3DRSB44A | 7707648 | Znc-Pltd Brass Threaded Round Standoff-1/4" OD 5/8" Length, #4-40                             |

|          |         |  |
|----------|---------|--|
| 3FMA2675 | 7707444 | COMPRESSION SPRING, MUSIC WIRE, 0.360 OD X 0.026 WIRE DIA X 3/4L                                   |
| 3FMA32B0 | 7707445 | COMPRESSION SPRING, MUSIC WIRE, 0.36 OD X 0.032 W X 2.0 L  |
| 3FMD4250 | 7707446 | COMP spring 0.042 X 0.455 X 0.500 MUSIC  |
| 3FMI59A8 | 7707513 | COMPRESSION SPRING MUSIC WIRE, PLATED 0.72OD X 0.059WD X 1.5L                                      |
| 3GM822B5 | 7707447 | EXT spring 0.022 X 0.240 X 2.50 MUSIC  |
| 3GM915B5 | 7707448 | EXTENSION SPRING, MUSIC WIRE, STEEL, 1/4OD X 0.015W X 2.5L   |
| 3GM918A0 | 7707449 | EXTENSION SPRING, MUSIC WIRE, STEEL, 0.250OD X 0.022W X 1.000L                                     |
| 3GME25A9 | 7707450 | EXTENSION SPRING, MUSIC WIRE, STEEL, 11/32OD X 0.025W X 1-7/8L                                     |
| 3GME34A5 | 7707451 | EXT spring 0.034 X 0.360 X 1.50 MUSIC  |
| 3GME34A8 | 7707452 | EXT spring 0.034 X 0.360 X 1.75 MUSIC  |
| 3GME41A0 | 7707453 | EXT spring 0.041 X 0.36 X 1.00 MUSIC   |
| 3GME45A1 | 7707503 | EXT spring 0.045 X 0.36 X 1.12MUSIC  |
| 3GMF39A5 | 7707454 | EXT SPRING .375OD X .039 WIRE X 1.50LG   |
| 3GMF41A8 | 7707455 | EXTENSION SPRING, MUSIC WIRE, 0.375OD X 0.041W X 1.75L   |
| 3GMP69D5 | 7707473 | EXTENSION SPRING MUSIC WIRE 5/8OD X 0.069W X 4.5L  |
| 3GS514A0 | 7707456 | EXT spring 0.014 X 0.188 X 1.00 MUSIC  |
| 3GY929A0 | 7707474 | Steel Extension Spring Zinc-Plated, 1" Lg, 1/4" OD, .029" Wire                                     |
| 3NMCT004 | 7707649 | Magnetic Catch   |
| 3NSNR001 | 7707514 | Snap-In Flush Mnt ABS Plastic Recessed Handle 3-45/64" W X 1-15/32" H O'all, .055"-.070" Panel Thk |
| 3OSCR1DS | 7707504 | Stainless Steel Door hinge leaf, removable style   |
| 3OSCR1FS | 7707505 | Stainless Steel Frame hinge leaf, removable style  |
| 3PCST104 | 7707650 | SWIVEL CASTER  |
| 3PMNT004 | 7707506 | LEVELING MOUNT, ZINC PLATED STEEL, ELASTOMER RUBBER, 1/2-13 X 3", 1.97" BASE DIAMETER              |
| 3QRSR014 | 1730491 | RECESSED BUMPER RUBBER 5/8OD X 5/32ID X 9/32H  |
| 3QRSR046 | 7707651 | Recessed Rubber Bumper W/Washr, 23/32" Base Dia, 13/32" Proj, 5/16" Top Open WD                    |
| 3QSTAK16 | 7707515 | Solid Stem Rubber Plug Bumper Flat, 9/16" Head Dia, 1/8" Proj, 1/4" Stem Dia                       |
| 3QSTS121 | 7707516 | Solid Stem Rubber Plug Bumper Flat, 17/32" Head  |
| 3RBUN001 | 7707457 | Buna-N O-Ring As568A Dash No. 215  |
| 3USTL219 | 7707652 | Chrome Steel Ball 7/32" Diameter, Grade 25   |
| 3VGBC006 | 6009106 | FCC LABEL 1 PRESSURE SENSITIVE VINYL 1/2 X 2-1/4   |
| 3VGBC013 | 6009078 | CSA APPROVAL LABEL NRTL/C W/SERIAL #   |
| 3VGBC058 | 6009178 | CE LABEL PRESSURE SENSITIVE ADHESIVE   |
| 3VGBC075 | 1155022 | GBC WARRANTY CARD  |
| 3VGBC086 | 7707653 | "GBC Quantum P70iX" Label  |
| 3VGBC087 | 7707654 | "Don't Stand" Label  |
| 3VGBC088 | 7707655 | "Moving Parts (Belt)" Label  |
| 3VGBC089 | 7707656 | "Crush Hazard" Label   |
| 3VGBC090 | 7707657 | "Moving Parts" Label   |
| 3VGBC092 | 7707658 | "Can. Class A" Label   |
| 3VGBC093 | 7707659 | Quantum Serial Number Label  |
| 3VGBC094 | 7707660 | "On/Off" Label   |
| 3VGBC095 | 7707661 | "Shock Triangle" Label   |
| 3VGBC097 | 7707662 | "Ground Symbol" Label  |
| 3VGBC098 | 7707663 | "Electrical Shock" Label   |
| 3VGBC099 | 7707664 | "Risk of Explosion" Label  |
| 3VGBC100 | 7707665 | "Earth Ground" Label   |

|          |            |  |
|----------|------------|--|
| 3VGBC101 | 7707666    | "TUV GS" Label   |
| 3VGBC103 | 7707667    | Quantum P70iX User Guide   |
| 3ZGSS073 | 9950109    | BALL STUD FOR GAS SPRING 10MM BALL, 5/16-18 STUD   |
| 3ZGSS079 | 7707458    | BALL SOCKET END FITTING PLASTIC FOR 10MM BALL, M6 FEMALE THREAD                            |
| 3ZGSS164 | 7707517    | Gas Spring With Threaded Ends 5.47" Stroke Length, 40LBS                                   |
| 3ZGSS165 | 7707518    | Gas Spring With Threaded Ends 5.47" Stroke Length, 50# force                               |
| 40P08F3B | 7707519    | POWER CORD, NEMA 6-15P X IEC-320-C13, 14/3 SJT, 8' , BLACK                                 |
| 42BUS224 | 7707668    | Liquidtight Strain Relief Cord Connector, 1/2" Conduit, Cable Range 0.250 - 0.375 Inches   |
| 42BUS244 | 7707669    | Strain Relief Bushing  |
| 42GMMK14 | 7707670    | GROMMET, RUBBER, 5/8"OD X 1/4"H X 7/16" GROOVE DIAMETER                                    |
| 42GMTK21 | 7707671    | Military Specification Rubber Grommet MS 35489 No. 35, AN 931 No. A4-7                     |
| 42GMTK32 | 7707672    | Standard SBR Rubber Grommet 3/8" Hole Dia, 1/16" Groove WD, 1/2" Groove Dia                |
| 42GMTK37 | 7707673    | Rubber Grommet MS 35489 No. 91, AN 931 No. C3-5, H 3/16, GW 1/4, T 3/8, OD 7/16, GD 5/16   |
| 42GMTK61 | 7707674    | Military Specification Rubber Grommet MS 35489 No. 23, AN 931 No. 16-22                    |
| 42GMTK75 | 7707675    | Rubber Grommet MS 35489 No. 56, AN 931 No. A24-28, H 1.5, GW 1/8, T 1/2, DP 2-1/8, DG 1.75 |
| 42THD002 | 1931048    | PUSH CABLE TIE HOLDER WHITE NYLON FOR 0.25 HOLE  |
| 42THD004 | 9950306    | TIE ANCHOR   |
| 42TIE004 | 1932124    | CABLE TIE NATURAL NYLON 0.1 X 4  |
| 42TIE414 | 1771420    | CABLE TIE NATURAL NYLON 0.188 X 14   |
| 42TIS408 | 1771419    | SCREW MOUNT CABLE TIE NYLON 3/16 X 8 FOR #10   |
| 45AMP027 | 7707676    | MTA-100 Connector, 24 AWG, White, for Vexta Cables   |
| 45MLX106 | 9950315    | FEMALE QUICK CONNECT INSULATED 14-16 AWG 0.250 X 0.032                                     |
| 45MLX111 | 7707677    | MALE QUICK CONNECT, INSULATED INSULATED 22-18 AWG, 0.187 X 0.020                           |
| 45WIM003 | 9950046000 | MALE CONNECTOR W/FIXING FLANGES, GREY THERMOPLASTIC 5MM PITCH X 3 POLE                     |
| 45wim007 | 9950047000 | MALE CONNECTOR W/FIXING FLANGES, GREY THERMOPLASTIC 5MM PITCH X 7 POLE                     |
| 4FBETA05 | 7707520    | Circuit Breaker, Rocker Actuated, 2-pole   |
| 4JCHY001 | 7707459    | Line Interupt Interlock Switch   |
| 4JMBT012 | 7707477    | Miniature Switch, Simulated Roller   |
| 4JMBT015 | 7707478    | MINIATURE BATT SWITCH HIGH FORCE 1.40 STRAIGHT BATT  |
| 4JMBT017 | 7707507    | Miniature Switch, Roller Lever   |
| 4JMBT019 | 7707508    | Minature Switch, Straight Lever  |
| 4JMPG001 | 7707480    | Miniature Switch, Pin Plunger  |
| 4JMPG002 | 7707481    | Miniature Switch, Pin Plunger, Light Force   |
| 4LDR0013 | 7707521    | Photoelectric sensor, Polarized Retroreflective, NPN, Dark,                                |
| 4LPHE001 | 7707522    | Photoelectric Sensor   |
| 4LRFS011 | 7707523    | Corner Cube Reflector Disc, 26 mm Dia.   |
| 4MEBEN01 | 7707482    | Rotary Optical Encoder   |
| 4MHCLR01 | 7707678    | HALL EFFECT ROTARY POSITION SENSOR   |
| 4PMWL001 | 7707524    | 24-Volt Power Supply   |
| 4PMWL002 | 7707525    | 5-Volt Power Supply  |
| 4TVDC001 | 7707526    | Variable Speed DC Motor  |
| 4UGP0013 | 7707527    | Compact DC Gearmotor 41 Max RPM, 19.1 VDC  |
| 4UGP0017 | 7707509    | Subfractional DC Gearmotor 24 VDC, 25 RPM  |
| 4UGP0018 | 7707528    | Subfractional DC Gearmotor 24 VDC, 47 RPM  |

|          |            |  |
|----------|------------|--|
| 4UGP0019 | 7707529    | Subfractional DC Gearmotor 24 VDC, 4.7 RPM   |
| 4USCK212 | 7707530    | DC Motor Controller, Regenerative  |
| 4VVXTB0C | 7707679    | Extension Cable for Brushless DC Motor   |
| 4VVXTB0D | 7707531    | Brushless DC Motor Driver (INCLUDED W/ MOTOR 4VVXTB0M)                             |
| 4VVXTB1M | 7707532    | Brushless DC Gear Motor  |
| 4VVXTB0M | 1722899    | BRUSHLESS GEARMOTOR WITH DRIVER BOARD  |
| 4YCWPC5  | 7707533    | BL2100 W/ BOTTOM MOUNT CONNECTORS  |
| 4YDSP001 | 7707534    | Graphic LCM Display 320 X 240  |
| 4ZPST104 | 7707535    | Power Inlet/Filter   |
| 51CL386R | 7707536    | TUBING RED POLYURETHANE 1/4OD X 0.060W   |
| 536CM410 | 7707680    | MALE BARB CONNECTOR 1/8IDT X #10-32  |
| 536EM410 | 0482004200 | MALE ELBOW BARB FITTING BRASS 1/8IDT X #10-32                                      |
| 5CBCF1AD | 7707537    | FLAT-1 AIR CYLINDER DOUBLE ACTING 9/16B X 1S                                       |
| 60BS0688 | 1730531    | OIL IMP BRG SIN BRONZE 3/8ID X 1/2OD X 1/2L PLAIN                                  |
| 60BS08A6 | 1771427    | OIL IMP BRG SIN BRONZE 1/2ID X 5/8OD X 3/8L PLAIN                                  |
| 60BS08AE | 7707681    | SAE 841 Unmounted Plain Bronze Sleeve Bearing For 1/2" Shaft Dia, 5/8" OD, 7/8" Lg |
| 60BSF684 | 7707538    | OIL IMP BRG SIN BRONZE 3/8ID X 1/2OD X 1/4L FLANGE BEARING                         |
| 60TH724T | 7707483    | Snap-In Nylon Bearing For 1/8" Shaft Diameter, 1/4" O'all Diameter                 |
| 60TH7472 | 7707484    | SNAP-IN SLEEVE BEARING, NYLON, 1/4 ID X 7/16 OD                                    |
| 60TH7892 | 7707485    | SNAP IN SLEEVE BEARING, NYLON, 1/2ID X 9/16OD X 0.140T                             |
| 60TH7CDT | 7707486    | SNAP IN NYLINER BEARING NYLON 0.75 ID X 0.812 X 0.140L                             |
| 60TNI4VC | 7707460    | FLANGED PLAIN BEARING, NYLON, 1/4" ID, .2965 OD, 1/4" L                            |
| 60TNI672 | 7707461    | SNAP IN NYLINER BEARING NYLON 0.375 ID X 0.437 OD X 0.140L                         |
| 60TS7CET | 7707487    | SNAP IN SLEEVE BEARING NYLON, TEP 642 3/4 ID X 7/8 OD X 0.140 T                    |
| 61RI0361 | 7707512    | RADIAL BALL BEARING SHIELDED, EXTENDED INNER RACE 0.1875ID X 0.5OD X 0.2272L       |
| 61RI06R9 | 7707510    | Radial ball bearing, 3/8 ID  |
| 61RI0815 | 7707511    | RADIAL BALL BEARING SEALED 1/2ID X 1-1/8OD X 5/16W                                 |
| 61RI0GS1 | 7707539    | 1" RADIAL BALL BEARING   |
| 61RI0KT1 | 7707540    | 1.25" RADIAL BALL BEARING  |
| 61RIFCWA | 7707541    | RADIAL BALL BEARING 0.750 X 1.625 X .438 WIDE                                      |
| 61TBG811 | 7707542    | Steel Ball Thrust Bearing For 1/2" Shaft Dia, 1-7/32" OD, Shielded                 |
| 62TRBK38 | 7707682    | CAGE ASSY FOR THRUST ROLLER BEARING 1.250 ID X 1.94 OD X 5/64 THICK                |
| 63ADJ001 | 7707543    | Adjustable-Height Radial-Load Track Roller 1" Roller Dia, 5/8" Roller Width        |
| 63SDUS01 | 7707544    | Radial-Load Stud Track Roller Sealed, 1/2" Roller Dia, 3/8" Roller Width           |
| 63SDUS02 | 7707545    | Radial-Load Stud Track Roller Sealed, 1" Roller Dia, 5/8" W, 7/16" Stud Dia        |
| 65LBB001 | 7707546    | Fixed-Alignment Linear Ball Bearing Closed, Steel, 1/4" Inside Diameter            |
| 6BJ14030 | 7707547    | Pitch Htd Endless Rubber Timing Belt 8mm Pitch, 1200mm Outer Circle, 30mm WD       |
| 6BTL450U | 7707548    | TIMING BELT 3/8 PITCH 50T URETHANE   |
| 6BTL8515 | 7707683    | Timing Belt, Polyurethane, low friction teeth                                      |
| 6BTX409R | 7707488    | TIMING BELT RUBBER 90XL037   |
| 6BTX424R | 7707489    | TIMING BELT RUBBER 240XL037  |
| 6BTX436R | 7707490    | TIMING BELT RUBBER 360XL037  |
| 6BTX440R | 7707491    | 400XL037 Neoprene Timing Belt  |
| 6BVA5355 | 7707492    | A-Section Endless Rubber V-Belt Trade Size A53, 55" Outer Circle                   |
| 6CMST035 | 7707493    | Spring Clip Type #35 Connecting Link   |
| 6CR3500S | 7707684    | Roller Chain, #35, Steel   |
| 6DHTD001 | 7707685    | Htd Series Timing Belt Pulley For 8mm Pitch, 30mm WD Belt, 90 Teeth                |

|          |            |   |
|----------|------------|---|
| 6DHTD002 | 7707686    | Htd Series Timing Belt Pulley For 8mm Pitch, 30mm WD Belt, 3.15" OD, 28 Teeth     |
| 6DTA4205 | 1771376    | TIMING PULLEY CLR ANOD ALUM 20XL037, 5/16B  |
| 6DTA4306 | 7707687    | TIMING PULLEY, CLR ANOD ALUM, 30XL037, 3/8 B                                      |
| 6DTA4325 | 7707688    | TIMING PULLEY CLR ANOD ALUM 32XL037, 5/16B  |
| 6DTA4326 | 7707689    | TIMING PULLEY CLR ANOD ALUM 32XL037, 3/8B   |
| 6DTH4306 | 7707549    | XL Timing Belt Pulley, 30T,w/molded Failoc Hub                                    |
| 6DVBBK34 | 7707690    | Cast Iron Finished-Bore V-Belt Pulley 3.55" OD, 5/8" Bore                         |
| 6DVBK140 | 7707691    | Cast Iron Finished-Bore V-Belt Pulley 13.75" OD, 1" Bore                          |
| 6EIDL001 | 7707550    | 19T #35 ROLLER CHAIN IDLER SPROCKET   |
| 6FQDBSHA | 7707692    | Quick-Disconnect Bushing Style H 1.00 Bore  |
| 6FQDBSKB | 7707693    | Quick-Disconnect Bushing Style Sk 1.25 Bore                                       |
| 6FSRCR01 | 7707694    | Light Duty Reducer Bushing 1/2" OD, 3/8" ID, 1-1/8" Length                        |
| 6JR00001 | 7707695    | Steel Needle-Roller Clutch Bearing Acetal Cage, 3/8" Shaft Dia, 5/8" OD, 7/8" WD  |
| 6JR40708 | 7707696    | Steel Needle-Roller Clutch Bearing Acetal Cage, 1/4" Shaft Dia, 7/16" OD, 1/2" WD |
| AP253000 | 0147080006 | BRAIDED GROUND CABLE ASSEMBLY   |
| BE001001 | 7707697    | Roller  |
| BE002000 | 7707698    | Finger Side Plate   |
| BE003000 | 7707699    | Finger Frame  |
| BE003100 | 7707700    | Simple Finger Frame   |
| BE004000 | 7707701    | Narrow Shim   |
| BE006000 | 7707702    | Switch Trigger  |
| BE007001 | 7707703    | Wide Shim   |
| BE009001 | 7707704    | Trolley   |
| BE012000 | 7707705    | Timing Shaft  |
| BE013000 | 7707706    | Conveyor Frame  |
| BE015001 | 7707707    | Feeder Platform   |
| BE024000 | 7707708    | Conveyor Clamp  |
| BE025000 | 7707709    | Conveyor Front Cover  |
| BE043002 | 7707710    | Bearing Bracket   |
| BE044000 | 7707711    | Nose (inner)  |
| BE044100 | 7707712    | Nose (outer)  |
| BE047000 | 7707713    | Linear Guide Shaft-No Chamfer on Ends   |
| BE049000 | 7707714    | Interlock Bracket   |
| BE054000 | 7707715    | Encoder Stay  |
| BE055L00 | 7707551    | Plain Lift Screw  |
| BE055R00 | 7707552    | Clamp Lift Screw  |
| BE056L01 | 7707716    | Left Nut Stay   |
| BE056R01 | 7707717    | Right Nut Stay  |
| BE057000 | 7707718    | Limit Switch Bracket  |
| BE058000 | 7707719    | Idler Ring  |
| BE061000 | 7707720    | Guide Strip   |
| BE070000 | 7707721    | Drive Pulley  |
| BE071001 | 7707722    | Roll Door Up Switch Brkt  |
| BE072000 | 7707723    | Stacker Platform  |
| BE073000 | 7707724    | Conveyor Front Cover  |
| BE074000 | 7707725    | Paper Out Bracket   |
| BE075001 | 7707726    | Feeder Platform One   |
| BE076000 | 7707727    | Thrust Cup  |
| BE078000 | 7707728    | Inverter Anchor   |

|          |         |                                      |
|----------|---------|--------------------------------------|
| BE079001 | 7707729 | Finger Guard                         |
| BE080000 | 7707730 | Feeder Platform 2+3                  |
| BE081000 | 7707731 | Right Tie Bracket                    |
| BE082000 | 7707732 | Left Tie Bracket                     |
| BEA01100 | 7707563 | BELT FINGER SUB ASSY, POSITION 1     |
| BEA01200 | 7707564 | BELT FINGER SUB ASSY, POSITION 2     |
| BEA01300 | 7707565 | BELT FINGER SUB ASSY, POSITION 3 & 4 |
| BEA01500 | 7707566 | BELT FINGER SUB ASSY, POSITION 5     |
| BEA22000 | 7707733 | Horizontal Cross Member              |
| BEA45002 | 7707734 | Right Side Plate                     |
| BEA46001 | 7707735 | Left Side Plate                      |
| BEA52000 | 7707736 | Drive Base                           |
| CC008000 | 1730557 | HEX BUSHING                          |
| FM012000 | 7707737 | PN Clamp                             |
| FM025000 | 7707738 | Gutter                               |
| FM036010 | 7707739 | PN Brace                             |
| FM037000 | 7707740 | PR Spacer                            |
| FM044002 | 7707741 | Interlock Cover                      |
| FM046000 | 7707742 | Strain Relief Bracket                |
| FM047000 | 7707743 | CASTER SPACER                        |
| FMA13002 | 7707744 | Electrical Panel                     |
| FMA18000 | 7707745 | Back Strut                           |
| FMA23000 | 7707746 | Left Back Hinge Bracket              |
| FMA24000 | 7707747 | Right Back Hinge Bracket             |
| FMA34000 | 7707748 | Front Strut                          |
| FMA38001 | 7707749 | Left Extension Assembly              |
| FMA39001 | 7707750 | Stacker Port                         |
| FMA40010 | 7707751 | Frame Weldment                       |
| FMA43000 | 7707752 | Stacker Back Stop                    |
| FMMIO002 | 7707553 | Main I/O board                       |
| FMT14000 | 7707462 | Interlock Service Key                |
| FMW01000 | 7707753 | Main Motor Cable                     |
| FMW02000 | 7707754 | Main Home Sw Cable                   |
| FMW03000 | 7707755 | Main Encoder Cable                   |
| FMW04000 | 7707756 | Lifter Assembly Cable                |
| FMW04100 | 7707757 | Stacker Assembly Cable               |
| FMW04200 | 7707758 | Belt Conveyor Switch Harness         |
| FMW05000 | 7707759 | Lifter Encoder Cable                 |
| FMW05100 | 7707760 | Stacker Encoder Cable                |
| FMW06000 | 7707761 | Lift Pot + Entr Sensor Cable         |
| FMW07000 | 7707762 | Lifter Signal Cable                  |
| FMW07100 | 7707763 | Stacker Signal Cable                 |
| FMW08000 | 7707764 | TBJ3 Cable Assy                      |
| FMW09000 | 7707765 | TBP4 Cable Assy                      |
| FMW10000 | 7707766 | TBP3 Signal Cable                    |
| FMW11000 | 7707767 | TBJ4 Signal Cable                    |
| FMW12000 | 7707768 | Dieset Assy Cable                    |
| FMW13000 | 7707769 | Dieset Signal Cable                  |
| FMW14000 | 7707770 | Covers Interlock Cable               |
| FMW16000 | 7707771 | Stack Paper Switch Cable             |
| fmw17010 | 7707772 | Exit Sensor Cable                    |
| FMW18000 | 7707773 | 5VPSU-AC Cable                       |

|          |         |                                |
|----------|---------|--------------------------------|
| FMW19000 | 7707774 | 5VPSU-DC Cable                 |
| FMW20000 | 7707775 | 24VPSU-AC Cable                |
| FMW21000 | 7707776 | 24PSU-DC Cable                 |
| FMW23000 | 7707777 | Main AC Power Switch Cable     |
| FMW24000 | 7707778 | RIBBON CABLE                   |
| FMW25000 | 7707779 | AC Power Inlet Cable           |
| FMW26000 | 7707780 | Main Controller AC Power Cable |
| FMW27000 | 7707781 | Main Controller Signal Cable   |
| FMW28000 | 7707782 | Display Cable                  |
| FMW29000 | 7707783 | Vexta Motor Controller Cable   |
| FMW30000 | 7707784 | Display Panel Ground Strap     |
| FMW31000 | 7707785 | Slug Bin Switch Cable          |
| IS004040 | 7707786 | SHAFT                          |
| IS007040 | 7707787 | GENEVA DRIVER ARM              |
| IS009030 | 7707788 | DRIVE GEAR                     |
| IS010040 | 7707789 | DRIVEN PARTIAL GEAR            |
| IS015030 | 7707790 | SHAFT                          |
| IS018010 | 7707791 | DRIVEN GEAR                    |
| IS020040 | 7707792 | HOLLOW SHAFT                   |
| IS021070 | 7707793 | FLIPPER SPIDER                 |
| IS0230A0 | 7707794 | INNER CAM                      |
| IS024040 | 7707795 | GENEVA STOP                    |
| IS032000 | 7707796 | THREADED ROD                   |
| IS034040 | 7707797 | STANDOFF                       |
| IS040030 | 7707798 | DRIVEN ROLLER BUSHING          |
| IS041020 | 7707799 | SHAFT CLAMP                    |
| IS044040 | 7707800 | DRIVEN GEAR                    |
| IS0470A0 | 7707801 | CLAMP BRACKET                  |
| IS048030 | 7707802 | YOKE                           |
| IS049040 | 7707803 | LINK                           |
| IS050020 | 7707804 | SHAFT                          |
| IS051040 | 7707805 | LINK                           |
| IS052050 | 7707806 | FLIPPER SPIDER                 |
| IS061030 | 7707807 | SPACER SHAFT                   |
| IS062040 | 7707808 | STANDOFF                       |
| IS064020 | 7707809 | SHAFT                          |
| IS066020 | 7707810 | GENEVA STAR WHEEL              |
| IS067020 | 7707811 | COUPLING HUB                   |
| IS068040 | 7707812 | LATCH ARM                      |
| IS069080 | 7707813 | EXTERNAL CAM                   |
| IS071030 | 7707814 | LATCH SHAFT                    |
| IS072040 | 7707815 | LARGE HUB                      |
| IS074020 | 7707816 | LOWER INPUT PULLEY             |
| IS075020 | 7707817 | DRIVEN INPUT SHAFT             |
| IS076L80 | 7707818 | LOWER INFEED PLATE LH          |
| IS076R80 | 7707819 | LOWER INFEED PLATE RH          |
| IS078020 | 7707820 | DRUM SLEEVE                    |
| IS080000 | 7707821 | STANDOFF SHAFT                 |
| IS081090 | 7707822 | UPPER SIDE PLATE               |
| IS086040 | 7707823 | DRUM HUB                       |
| IS087030 | 7707824 | BELT DRIVE SHAFT               |
| IS088020 | 7707825 | BRACKET                        |

|          |         |  |
|----------|---------|--|
| IS089020 | 7707826 | HUB  |
| IS090010 | 7707827 | DRIVEN BEVEL GEAR SHAFT                      |
| IS091010 | 7707828 | HUB  |
| IS092010 | 7707829 | DRIVEN GEAR                                  |
| IS093020 | 7707830 | WEIRD PART                                   |
| IS094000 | 7707831 | TRANSFER GEAR                                |
| IS095000 | 7707832 | STUB SHAFT                                   |
| IS096010 | 7707833 | HUB  |
| IS097060 | 7707834 | NIP PIVOT BRACKET                            |
| IS098000 | 7707835 | 16T XL TIMING BELT PULLEY WITH CENTER GROOVE |
| IS099030 | 7707836 | LOWER INFEED BRACKET                         |
| IS100010 | 7707554 | 13T L BELT PULLEY                            |
| IS103080 | 7707837 | FRONT PLATE                                  |
| IS104000 | 7707838 | SPRING ANCHOR ROD                            |
| IS105000 | 7707839 | PULLEY FLANGE                                |
| IS106050 | 7707840 | REAR PLATE                                   |
| IS111060 | 7707841 | CAM CLAMP                                    |
| IS113050 | 7707842 | EXTERNAL CAM                                 |
| IS116040 | 7707843 | DETECT SHAFT                                 |
| IS121080 | 7707844 | STACK DETECTOR CAM                           |
| IS122080 | 7707845 | LIFT ARM                                     |
| IS123060 | 7707846 | STOP BRACKET                                 |
| IS125040 | 7707847 | DETECT FINGER                                |
| IS127020 | 7707848 | SWITCH ACTUATOR                              |
| IS128030 | 7707849 | PIVOT BLOCK                                  |
| IS129020 | 7707850 | DETECT SHAFT                                 |
| IS130020 | 7707851 | DETECT PIVOT ARM                             |
| IS131020 | 7707852 | DETECT LIFT ROD                              |
| IS132010 | 7707853 | COVER  |
| IS133030 | 7707854 | SENSOR BRACKET                               |
| IS134000 | 7707855 | CHAIN IDLER SPACER                           |
| IS135000 | 7707856 | 20 L TIMING BELT PULLEY                      |
| IS136000 | 7707857 | BELT TENSION TUBE                            |
| IS137000 | 7707858 | TENSIONER SHAFT                              |
| IS138010 | 7707859 | TENSION BLOCK                                |
| IS139000 | 7707860 | DISK   |
| IS140010 | 7707861 | Long Hub                                     |
| IS141060 | 7707862 | INFEED BRACKET                               |
| IS142000 | 7707863 | SHORT HUB                                    |
| IS143000 | 7707864 | MOUNT BLOCK                                  |
| IS144020 | 7707865 | DUST COVER                                   |
| IS145000 | 7707866 | CLUTCH SPROCKET 20T #35 ROLLER CHAIN         |
| IS146010 | 7707555 | 12 PITCH 15T BEVEL GEAR                      |
| IS148000 | 7707867 | 13T L BELT PULLEY IDLER                      |
| IS149000 | 7707868 | BEARING SHAFT                                |
| IS150010 | 7707869 | DEFLECTOR                                    |
| IS151010 | 7707870 | MOUNT BOSS                                   |
| IS153020 | 7707871 | BEARING PLATE                                |
| IS154000 | 7707872 | NIP PIVOT BRACKET REAR                       |
| IS155000 | 7707873 | Geyser Tray                                  |
| IS156010 | 7707874 | Reflector Mount                              |
| ISI02010 | 7707567 | IS ROLLER CHAIN 42.375 LONG                  |



|          |         |                               |
|----------|---------|-------------------------------|
| ISS01000 | 7707568 | NIP ROLLER                    |
| ISS02000 | 7707569 | CAM CLAMP                     |
| ISS060S0 | 7707570 | CHAIN OVERLOAD CLUTCH STRONG  |
| ISS060W0 | 7707571 | CHAIN OVERLOAD CLUTCH WEAK    |
| ISS14000 | 7707572 | INVERTER CLAMP                |
| ISS26000 | 7707875 | GEAR AND HUB ASSEMBLY         |
| ISW01010 | 7707573 | INVERTER DRUM                 |
| LF103080 | 7707876 | GRASPER IN OUT CAM            |
| LF104080 | 7707877 | GRASPER UP DOWN CAM           |
| LF105060 | 7707878 | INNER FRAME PLATE             |
| LF1070B0 | 7707879 | PICK IN OUT CAM               |
| LF108010 | 7707880 | FLAT BELT DRIVE PULLEY        |
| LF109030 | 7707881 | FLAT BELT PULLEY HUB          |
| LF110010 | 7707882 | FLAT BELT DRIVE SHAFT         |
| LF111010 | 7707883 | CENTER STANDOFF               |
| LF1120A0 | 7707884 | PICK UP DOWN CAM              |
| LF113040 | 7707885 | CAM SHAFT                     |
| LF115050 | 7707886 | GUIDE ROD MOUNT BRACKET       |
| LF126060 | 7707887 | GRASPER                       |
| LF127010 | 7707888 | GRASPER FOLLOWER BRACKET      |
| LF129000 | 7707889 | PICK IN OUT PIVOT SHAFT       |
| LF132000 | 7707890 | PICK IN OUT BRACKET           |
| LF134000 | 7707891 | GRASPER ARM                   |
| LF135010 | 7707892 | GRASPER LINK                  |
| LF136050 | 7707893 | INPUT PAPER STOP              |
| LF137040 | 7707894 | GRASPER CAM BRACKET           |
| LF140030 | 7707895 | CAM BRACKET PIVOT SHAFT       |
| LF141010 | 7707896 | GRASPER SHAFT BRACKET         |
| LF142010 | 7707897 | MID SIZE LINK ARM             |
| LF147000 | 7707898 | STANDOFF                      |
| LF162010 | 7707899 | SPACER B                      |
| LF163010 | 7707900 | SPACER C                      |
| LF164010 | 7707901 | SPACER D                      |
| LF165020 | 7707902 | SPACER E                      |
| LF166030 | 7707903 | SPACER F                      |
| LF167010 | 7707904 | SPACER A                      |
| LF170000 | 7707905 | IDLER BRACKET                 |
| LF176020 | 7707906 | CROSS BAR                     |
| LF179020 | 7707907 | IDLER SHAFT                   |
| LF180020 | 7707908 | IDLER PIVOT SHAFT             |
| LF185020 | 7707909 | SENSOR ARM                    |
| LF187020 | 7707910 | STACK DETECT PIVOT SHAFT      |
| LF190000 | 7707911 | DRIVE GEAR                    |
| LF191000 | 7707912 | INTERMEDIATE GEAR             |
| LF192000 | 7707913 | DRIVEN GEAR                   |
| LF193000 | 7707914 | GEAR STUB SHAFT               |
| LF194020 | 7707915 | STACK SWITCH ACTUATOR BRACKET |
| LF196020 | 7707916 | PICKER PIVOT BRACKET          |
| LF199090 | 7707917 | STACK DETECT MOUNT BRACKET    |
| LF203060 | 7707918 | RIGHT SIDE PLATE              |
| LF204010 | 7707919 | LINEAR SHAFT                  |
| LF207070 | 7707920 | LEFT SIDE PLATE               |

|          |         |                                 |
|----------|---------|---------------------------------|
| LF209010 | 7707921 | UPPER BEARING BRACKET           |
| LF210030 | 7707922 | GRASPER ROLLER BRACKET          |
| LF211020 | 7707923 | LOWER BEARING BLOCK             |
| LF212L30 | 7707924 | CENTER MOUNT BRACKET, LEFT      |
| LF212R30 | 7707925 | CENTER MOUNT BRACKET, RIGHT     |
| LF214080 | 7707926 | IDLER CARRIAGE                  |
| LF215020 | 7707927 | GRASPER DRIVE SHAFT             |
| LF216000 | 7707928 | GRASPER PIVOT SHAFT             |
| LF218020 | 7707929 | GRASPER SPRING FINGER           |
| LF221000 | 7707930 | GRASPER ROLLER SHAFT            |
| LF222060 | 7707931 | PICK FINGER                     |
| LF223040 | 7707932 | PICK FINGER BRACKET             |
| LF225020 | 7707556 | 1.0 WIDE X 50.36 LONG FLAT BELT |
| LF227030 | 7707933 | SUPPORT BRACKET                 |
| LF228010 | 7707934 | CENTER SUPPORT BRACKET          |
| LF230000 | 7707935 | TEE                             |
| LF300010 | 7707936 | INFEED LEAF                     |
| LF303040 | 7707937 | CENTER INFEED BRACKET TOP       |
| LF3050B0 | 7707938 | DETECTOR BRACKET                |
| LF306L40 | 7707939 | ANTI BACKUP BRACKET LEFT        |
| LF306R40 | 7707940 | ANTI BACKUP BRACKET RIGHT       |
| LF307010 | 7707941 | BEARING BLOCK                   |
| LF308070 | 7707942 | STACK TOP FINGER                |
| LF310000 | 7707943 | ORING SLEEVE                    |
| LF312010 | 7707944 | DUAL PULLEY SHAFT               |
| LF313020 | 7707945 | ARM                             |
| LF314000 | 7707946 | MID SIZE LINK ARM               |
| LF316010 | 7707947 | INFEED MOUNT SHAFT              |
| LF318000 | 7707948 | BUMPER MOUNT FINGER             |
| LF319030 | 7707557 | DETECT FINGER B                 |
| LF320000 | 7707949 | CLAMP BRACKET                   |
| LF321070 | 7707950 | Aux Pick Finger                 |
| LF323000 | 7707951 | IDLER ROLLER                    |
| LF324000 | 7707952 | RETARD PIVOT SHAFT              |
| LFS01000 | 7707494 | GRASPER ROLLER AND CLUTCH       |
| LFS02000 | 7707953 | FEEDER DECK W/PEMS              |
| LFS03000 | 7707574 | LIFT DETECT SENSOR              |
| LFS04000 | 7707575 | LF DRUM                         |
| LFS06000 | 7707576 | ANTI-BACKUP ROLLER SET          |
| PN001040 | 7707954 | SIDE PLATE                      |
| PN002020 | 7707955 | DIE SET MOUNT                   |
| PN004020 | 7707956 | PUNCH DRIVE ARM                 |
| PN005020 | 7707957 | DRIVE BAR                       |
| PN006050 | 7707958 | CAM SHAFT                       |
| PN007030 | 7707959 | STRIPPER BRACKET                |
| PN008010 | 7707960 | TIE BAR                         |
| PN012010 | 7707961 | DIE SET MOUNT BAR               |
| PN013000 | 7707962 | CAM FOLLOWER MOUNT              |
| PN014010 | 7707963 | TRANSFER SHAFT                  |
| PN016000 | 7707964 | STANDOFF                        |
| PN018000 | 7707965 | CROSS BAR                       |
| PN019020 | 7707966 | DIE SET HOLD DOWN               |

|          |         |                            |
|----------|---------|----------------------------|
| PN022000 | 7707967 | BEARING BLOCK              |
| PN023010 | 7707968 | MOTOR BRACKET              |
| PN028010 | 7707969 | DIE SET INFEED             |
| PN029020 | 7707970 | INFEED MOUNTS              |
| PN031030 | 7707971 | MOUNT BLOCK                |
| PN032010 | 7707972 | SLUG CHUTE                 |
| PN033000 | 7707973 | SLUG CHUTE RETAINER        |
| PN034L20 | 7707974 | DIESET DRIVE CAM LEFT      |
| PN034R20 | 7707975 | DIESET DRIVE CAM RIGHT     |
| PN035090 | 7707976 | DIE CLAMP BRACKET          |
| PN036030 | 7707977 | DIE CLAMP WEDGE PLATE      |
| PN037010 | 7707978 | DIESET CLAMP CAM           |
| PN040020 | 7707979 | CLAMP MOTOR GEAR           |
| PN041020 | 7707980 | CAM GEAR                   |
| PN042030 | 7707981 | DIESET PIN LATCH           |
| PN043050 | 7707982 | DIE ADJUST MOUNT BRACKET   |
| PN044050 | 7707983 | DIE ADJUST SCREW           |
| PN045010 | 7707984 | DIE ADJUST BLOCK           |
| PN048000 | 7707985 | CAM SHAFT                  |
| PN058010 | 7707987 | Sprocket                   |
| PN059010 | 7707988 | SPROCKET HUB               |
| PN060020 | 7707989 | HOME SWITCH ACTUATOR       |
| PN061030 | 7707990 | Switch Bracket             |
| PN063000 | 7707991 | Handwheel                  |
| PN064000 | 7707992 | BEARING RETAINER SPACER    |
| PN0650C0 | 7707993 | BARCODE SENSOR BRACKET     |
| PN066020 | 7707994 | SENSOR BRACKET             |
| PN067000 | 7707995 | Encoder Bracket            |
| PN068010 | 7707996 | SLUG BIN BODY              |
| PN069010 | 7707997 | SLUG BIN END               |
| PN071000 | 7707998 | GEAR HUB                   |
| PN072000 | 7707999 | FOLLOWER WEAR PLATE        |
| PN073000 | 7708000 | SQUARE KEY                 |
| PN077000 | 7708001 | SENSOR SPRING CLIP         |
| PN078000 | 7708002 | Rear Clamp Finger          |
| PN079010 | 7708003 | LEVER ARM                  |
| PN080000 |         | WASTE BIN SENSOR BRACKET   |
| PN054000 | 7707986 | Slug Bin Tray              |
| PR102030 | 7708004 | ADJUST ACME ROD            |
| PR103030 | 7708005 | FIXED HEX SHAFT            |
| PR105040 | 7708006 | EXIT UP DOWN CAM           |
| PR106070 | 7708007 | EXIT IN OUT CAM            |
| PR108060 | 7708008 | LEFT JUSTIFY CAM           |
| PR110020 | 7708009 | RIGHT HEX SHAFT            |
| PR123020 | 7708010 | GEAR CAM SHAFT             |
| PR125000 | 7708011 | CAM SPACER                 |
| PR127040 | 7708012 | CROWNED FLAT BELT PULLEY   |
| PR133000 | 7708013 | RACK CROSS ROD             |
| PR141030 | 7708014 | CENTER DECK LEFT BRACKET   |
| PR148010 | 7708015 | REAR RIGHT JUSTIFY BRACKET |
| PR149030 | 7708016 | REAR JUSTIFIER CAM         |
| PR150010 | 7708017 | REAR LEFT JUSTIFY BRACKET  |

|          |         |   |
|----------|---------|---|
| PR152020 | 7708018 | LEFT REAR MOUNT BRACKET                   |
| PR158000 | 7708019 | ACME NUT BLOCK                            |
| PR159010 | 7708020 | GUIDE POST                                |
| PR160040 | 7708021 | FLAT BELT IDLER PULLEY                    |
| PR179000 | 7708022 | SHAFT BRACKET                             |
| PR180010 | 7708023 | GEAR SPACER A                             |
| PR181000 | 7708024 | GEAR SPACER B                             |
| PR186030 | 7708025 | DECK BAR                                  |
| PR189010 | 7708026 | SHORT SPACER                              |
| PR191000 | 7708027 | BEARING BLOCK                             |
| PR194000 | 7708028 | GEAR SPACER E                             |
| PR195000 | 7708029 | GEAR SPACER F                             |
| PR198000 | 7708030 | LEFT REAR CAM SPACER                      |
| PR205020 | 7708031 | DRIVE IDLER SHAFT                         |
| PR206L70 | 7708032 | LEFT REAR JOG BLOCK                       |
| PR206R70 | 7708033 | RIGHT REAR JOG BLOCK                      |
| PR209030 | 7708034 | CENTER REAR DECK                          |
| PR218020 | 7708035 | TOWER RH                                  |
| PR222010 | 7708036 | ENCODER MOUNT BRACKET                     |
| PR224010 | 7708037 | KICKER LOCATOR BRACKET                    |
| PR225020 | 7708038 | TOWER LH                                  |
| PR226040 | 7708039 | LEFT SIDE FRAME                           |
| PR227070 | 7708040 | RIGHT SIDE FRAME                          |
| PR228010 | 7708041 | FEEDER MOUNT DECK                         |
| PR229020 | 7708042 | FIXED CROSS ROD                           |
| PR230020 | 7708043 | LEFT JUSTIFY BRACKET                      |
| PR231020 | 7708044 | ADJUSTMENT TRANSFER BRACKET               |
| PR233060 | 7708045 | RIGHT JUSTIFY BRACKET                     |
| PR235020 | 7708046 | EXIT PIVOT BRACKET                        |
| PR236010 | 7708047 | EXIT MOUNT BRACKET                        |
| PR237060 | 7708048 | LEFT JUSTIFY BRACKET                      |
| PR238000 | 7708049 | PIVOT SHAFT                               |
| PR239040 | 7708050 | LAST NIP PIVOT BRACKET                    |
| PR240020 | 7708051 | LAST NIP SHAFT                            |
| PR241010 | 7708052 | IDLER                                     |
| PR242000 | 7708053 | TIMING PULLEY CLR ANOD ALUM 20XL037, 3/8B |
| PR244010 | 7708054 | PINION GEAR                               |
| PR245000 | 7708055 | RACK GEAR SHAFT                           |
| PR246010 | 7708056 | RACK                                      |
| PR247010 | 7708057 | RIGHT ANGLE BRACKET                       |
| PR248020 | 7708058 | PIVOT SHAFT                               |
| PR250030 | 7708059 | ADJUSTED HEX SHAFT                        |
| PR254000 | 7708060 | 12 PITCH 15T BEVEL GEAR - TAPPED HEX      |
| PR255000 | 7708061 | 12 PITCH 15T BEVEL GEAR - HEX             |
| PR256010 | 7708062 | 12 PITCH 15T BEVEL GEAR - TAPPED ROUND    |
| PR258000 | 7708063 | TIMING PULLEY CLR ANOD ALUM 16XL037, 3/8B |
| PR262030 | 7708064 | SHAFT BRACKET                             |
| PR263000 | 7708065 | DRIVE IDLER SHAFT                         |
| PR265030 | 7708066 | ROLLER SHAFT SHORT                        |
| PR266000 | 7708067 | REAR RACK CROSS ROD                       |
| PR268040 | 7708068 | SUPPORT BRACKET                           |
| PR270020 | 7708069 | INFEED BRACKET                            |

|          |         |   |
|----------|---------|---|
| PR271030 | 7708070 | CENTER BLOCK                              |
| PR272010 | 7708071 | STRUT                                     |
| PR273020 | 7708072 | RIGHT SUPPORT STRUT                       |
| PR274040 | 7708073 | INVERTER NIP CAM                          |
| PR277010 | 7708074 | ASS KICKER SHAFT                          |
| PR278020 | 7708075 | LEFT TOP RAIL                             |
| PR279030 | 7708076 | PIVOT BLOCK                               |
| PR280L50 | 7708077 | ASS KICKER LEFT                           |
| PR280R50 | 7708078 | ASS KICKER RIGHT                          |
| PR282010 | 7708079 | ASS KICKER CAM                            |
| PR283000 | 7708080 | LEFT SUPPORT STRUT                        |
| PR284000 | 7708081 | RIGHT SUPPORT STRUT                       |
| PR286010 | 7708082 | ASS KICKER LIFT ARM                       |
| PR291030 |         | RIGHT TOP RAIL                            |
| PR299000 | 7708084 | DUST COVER                                |
| PR300000 | 7708085 | DUST COVER                                |
| PRS01L00 | 7708086 | CENTER DECK SUPPORT BRACKET LEFT W/STUDS  |
| PRS01R00 | 7708087 | CENTER DECK SUPPORT BRACKET RIGHT W/STUDS |
| PRW05010 | 7708088 | HINGED JOGGER WELDMENT                    |
| QFGUIS00 | 7708089 | Graphic User Interface Program            |
| QFPANS00 | 7708090 | Panel Software Program                    |
| QFS01000 | 7707580 | LF-PR CAHIN                               |
| RD002000 | 7708091 | Roll Door Shaft                           |
| RD003000 | 7708092 | Left Roll Door Bearing                    |
| RD004000 | 7708093 | Right Roll Door Bearing                   |
| RD006000 | 7708094 | Roll Side Guide                           |
| RD007000 | 7708095 | Roll Front Guide                          |
| RD008002 | 7708096 | Stacker Roll Door Frame                   |
| RD009000 | 7708097 | Snail Pulley                              |
| RD011000 | 7708098 | Roll Clutch Gear                          |
| RD017000 | 7707558 | Motor Gear                                |
| RD018000 | 7707559 | Door Slat                                 |
| RD019000 | 7708099 | Bottom Door Slat                          |
| RD020000 | 7708100 | Roll Door Sweep                           |
| RD021000 | 7708101 | Switch Actuator                           |
| RD022000 | 7708102 | Top Door Slat                             |
| RD023000 | 7708103 | Tie Rod                                   |
| RD024000 | 7708104 | Weight                                    |
| RD025000 | 7708105 | Roll Motor Bracket                        |
| RD030000 | 7707581 | GEAR                                      |
| RDA05002 | 7708106 | Feeder Roll Door Frame                    |
| RDS01000 | 7707582 | MOTOR ASSEMBLY                            |
| RDS02000 | 7707583 | DOOR BOTTOM                               |
| SK026001 | 7708107 | Manual Stacking Fixture                   |
| SK030000 | 7707560 | Membrane Keyboard                         |
| SK031000 | 7708108 | UI Driver Board                           |
| SK050000 | 7708109 | SPACER PLATE                              |
| SK051000 | 7708110 | NUT PLATE                                 |
| SKA01000 | 7707584 | E-box Cover                               |
| SKA02001 | 7708111 | Side Panel                                |
| SKA03000 | 7708112 | Door                                      |
| SKA11000 | 7708113 | Feeder Roll Cover                         |

|          |         |                    |
|----------|---------|--------------------|
| SKA12000 | 7708114 | Stacker Roll Cover |
| SKA14000 | 7707585 | Back Panel         |
| SKA44000 | 7708115 | UI Box             |
| SKA45001 | 7708116 | Front Lid          |
| SKA46001 | 7708117 | Long Lid           |
| SKA47001 | 7708118 | UI Back Plane      |

**PARTS CROSS REFERENCE BY GBC PART NUMBER**

| AST PN   | GBC PN  | ItemName  |
|----------|---------|---|
| 4VVXTBOM | 1722899 | BRUSHLESS GEARMOTOR WITH DRIVER BOARD   |
| 2INA5032 | 7707420 | Adhesive Back Commercial-Grade Neoprene Strip 1/32" Thk, 2" WD, 36" Lg, Black                 |
| 31MBC121 | 7707421 | MACHINERY BUSHING LOW-CARBON MILD STEEL 1/2ID X 7/8OD X 0.075THK                              |
| 31NYF059 | 7707422 | NYLON FLAT WASHER, REGULAR NATURAL COLOR #4, 0.120ID X 0.218OD X 0.031THK                     |
| 31NYF070 | 7707423 | NYLON FLAT WASHER, REGULAR NATURAL COLOR #5, 0.130ID X 0.285OD X 0.062THK                     |
| 31NYF140 | 7707424 | NYLON FLAT WASHER, REGULAR NATURAL COLOR 1/4, 0.252ID X 0.472OD X 0.060THK                    |
| 31NYF170 | 7707425 | NYLON FLAT WASHER, REGULAR NATURAL COLOR 3/8, 0.390ID X 0.75OD X 0.062THK                     |
| 31NYF187 | 7707426 | NYLON FLAT WASHER, REGULAR NATURAL COLOR 1/2, 0.505 X 0.750 X 0.062 THK                       |
| 31NYN170 | 7707428 | NYLON FLAT WASHER, NARROW RIM NATURAL COLOR 1/2ID X 11/16OD X 1/32THK                         |
| 31NYN210 | 7707429 | NYLON FLAT WASHER, NARROW RIM NATURAL COLOR 5/8ID X 13/16OD X 1/32THK                         |
| 31NYN280 | 7707430 | Nylon 6/6 Small-OD Flat Washer 1" ID, 1-1/4" OD, .063" Thick                                  |
| 31RCW050 | 7707431 | CUSHIONING WASHER PURE-RUBBER 1/2, 0.490ID X 1.062OD X 0.093THK                               |
| 31SHS745 | 7707432 | 18-8 S.S. Shoulder Screw Shim - Shortening .030" Thick, 3/8" Shoulder Dia, .376" ID, .563" OD |
| 3710Z250 | 7707433 | E-STYLE RETAINING RING SPRING STEEL, ZINC PLATED 1/4 SHAFT                                    |
| 3710Z375 | 7707434 | E-STYLE RETAINING RING SPRING STEEL, ZINC PLATED 3/8 SHAFT                                    |
| 3710Z500 | 7707435 | E-STYLE RETAINING RING SPRING STEEL, ZINC PLATED 1/2 SHAFT                                    |
| 3741Z750 | 7707436 | External Retaining Ring, 3/4" shaft, inside lugs  |
| 3ADCS550 | 7707437 | 1/8 X 1/2 hardened steel dowel pin  |
| 3ACCS575 | 7707438 | COILED SPRING PIN CARBON STEEL, PLAIN FINISH 1/8 X 3/4  |
| 3ACCS5A0 | 7707439 | COILED SPRING PIN CARBON STEEL, PLAIN FINISH 1/8 X 1  |
| 3ACCS5A3 | 7707440 | COILED SPRING PIN CARBON STEEL, PLAIN FINISH 1/8 X 1-1/4                                      |
| 3ACCS675 | 7707441 | COILED SPRING PIN CARBON STEEL, PLAIN FINISH 5/32 X 3/4                                       |
| 3ADCSB75 | 7707442 | DOWEL PIN ALLOY STEEL, HARDENED AND GROUND 3/8 X 3/4  |
| 3ARCS5B0 | 7707443 | Plain Steel Spring Pin 1/8" Dia, 2" Length  |
| 3FMA2675 | 7707444 | COMPRESSION SPRING, MUSIC WIRE, 0.360 OD X 0.026 WIRE DIA X 3/4L                              |
| 3FMA32B0 | 7707445 | COMPRESSION SPRING, MUSIC WIRE, 0.36 OD X 0.032 W X 2.0 L                                     |
| 3FMD4250 | 7707446 | COMP spring 0.042 X 0.455 X 0.500 MUSIC   |
| 3GM822B5 | 7707447 | EXT spring 0.022 X 0.240 X 2.50 MUSIC   |
| 3GM915B5 | 7707448 | EXTENSION SPRING, MUSIC WIRE, STEEL, 1/4OD X 0.015W X 2.5L                                    |
| 3GM918A0 | 7707449 | EXTENSION SPRING, MUSIC WIRE, STEEL, 0.250OD X 0.022W X 1.000L                                |
| 3GME25A9 | 7707450 | EXTENSION SPRING, MUSIC WIRE, STEEL, 11/32OD X 0.025W X 1-7/8L                                |
| 3GME34A5 | 7707451 | EXT spring 0.034 X 0.360 X 1.50 MUSIC   |
| 3GME34A8 | 7707452 | EXT spring 0.034 X 0.360 X 1.75 MUSIC   |
| 3GME41A0 | 7707453 | EXT spring 0.041 X 0.36 X 1.00 MUSIC  |
| 3GMF39A5 | 7707454 | EXT SPRING .375OD X .039 WIRE X 1.50LG  |

|           |         |  |
|-----------|---------|--|
| 3GMF41A8  | 7707455 | EXTENSION SPRING, MUSIC WIRE, 0.375OD X 0.041W X 1.75L                                   |
| 3GS514A0  | 7707456 | EXT spring 0.014 X 0.188 X 1.00 MUSIC  |
| 3RBUN001  | 7707457 | Buna-N O-Ring As568A Dash No. 215  |
| 3ZGSS079  | 7707458 | BALL SOCKET END FITTING PLASTIC FOR 10MM BALL, M6 FEMALE THREAD                          |
| 4JCHY001  | 7707459 | Line Interrupt Interlock Switch  |
| 60TNI4VC  | 7707460 | FLANGED PLAIN BEARING, NYLON, 1/4" ID, .2965 OD, 1/4" L                                  |
| 60TNI672  | 7707461 | SNAP IN NYLINER BEARING NYLON 0.375 ID X 0.437 OD X 0.140L                               |
| FMT14000  | 7707462 | Interlock Service Key  |
| 31WSSK69  | 7707463 | WAVE DISK SPRING 1.261ID X 1.621 OD X 0.0185THK 18LB @ 0.0185DEF                         |
| 3731Z375  | 7707464 | Retaining Ring Series 3100.352G .029W .36W   |
| 3731Z500  | 7707465 | Retaining ring series 3100 .468G .039W .048E   |
| 3731Z875  | 7707466 | Retaining Ring Series 3100.821G .046W  |
| 3771Z500  | 7707467 | SELF-LOCKING EXTERNAL RETAINING RING SPRING STEEL, 1/2 SHAFT                             |
| 37ESRA25  | 7707468 | Spring Steel External Spiral Retaining Ring For 1-1/4" Shaft Dia, Fits 1.176" Groove Dia |
| 39WCS404  | 7707469 | WOODRUFF KEY PLAIN STEEL USA #404  |
| 3ADCS5A0  | 7707471 | DOWEL PIN ALLOY STEEL, HARDENED AND GROUND 1/8 X 1                                       |
| 3GMP69D5  | 7707473 | EXTENSION SPRING MUSIC WIRE 5/8OD X 0.069W X 4.5L  |
| 3GY929A0  | 7707474 | Steel Extension Spring Zinc-Plated, 1" Lg, 1/4" OD, .029" Wire                           |
| 4JMBT012  | 7707477 | Miniature Switch, Simulated Roller   |
| 4JMBT015  | 7707478 | MINIATURE BATT SWITCH HIGH FORCE 1.40 STRAIGHT BATT                                      |
| 4JMPG001  | 7707480 | Miniature Switch, Pin Plunger  |
| 4JMPG002  | 7707481 | Miniature Switch, Pin Plunger, Light Force   |
| 4MEBEN01  | 7707482 | Rotary Optical Encoder   |
| 60TH724T  | 7707483 | Snap-In Nylon Bearing For 1/8" Shaft Diameter, 1/4" O'all Diameter                       |
| 60TH7472  | 7707484 | SNAP-IN SLEEVE BEARING, NYLON, 1/4 ID X 7/16 OD  |
| 60TH7892  | 7707485 | SNAP IN SLEEVE BEARING, NYLON, 1/2ID X 9/16OD X 0.140T                                   |
| 60TH7CDT  | 7707486 | SNAP IN NYLINER BEARING NYLON 0.75 ID X 0.812 X 0.140L                                   |
| 60TS7CET  | 7707487 | SNAP IN SLEEVE BEARING NYLON, TEP 642 3/4 ID X 7/8 OD X 0.140 T                          |
| 6BTX409R  | 7707488 | TIMING BELT RUBBER 90XL037   |
| 6BTX424R  | 7707489 | TIMING BELT RUBBER 240XL037  |
| 6BTX436R  | 7707490 | TIMING BELT RUBBER 360XL037  |
| 6BTX440R  | 7707491 | 400XL037 Neoprene Timing Belt  |
| 6BVA5355  | 7707492 | A-Section Endless Rubber V-Belt Trade Size A53, 55" Outer Circle                         |
| 6CMST035  | 7707493 | Spring Clip Type #35 Connecting Link   |
| LFS01000  | 7707494 | GRASPER ROLLER AND CLUTCH  |
| 2LCGCK11  | 7707495 | Mini Grip Conveyor Roller Soft Urethane 30-A Durometer, 1/2" Shaft, 1" OD                |
| 2LCGCK16  | 7707497 | Mini Grip Conveyor Roller Soft Urethane 30-A Durometer, 3/4" Shaft, 1-1/2" OD            |
| 31TBWK65  | 7707499 | 1.250 ID X 1.94 OD X 1/8 THICK THRUST BEARING WASHER                                     |
| 61RI0815  | 7707511 | RADIAL BALL BEARING SEALED 1/2ID X 1-1/8OD X 5/16W                                       |
| 61RI0361  | 7707512 | RADIAL BALL BEARING SHIELDED, EXTENDED INNER RACE 0.1875ID X 0.5OD X 0.2272L             |
| BEA01100  | 7707563 | BELT FINGER SUB ASSY, POSITION 1   |
| BEA01200  | 7707564 | BELT FINGER SUB ASSY, POSITION 2   |
| BEA01300  | 7707565 | BELT FINGER SUB ASSY, POSITION 3 & 4   |
| BEA01500  | 7707566 | BELT FINGER SUB ASSY, POSITION 5   |
| ISI102010 | 7707567 | IS ROLLER CHAIN 42.375 LONG  |



|          |            |  |
|----------|------------|--|
| ISS01000 | 7707568    | NIP ROLLER   |
| ISS02000 | 7707569    | CAM CLAMP  |
| ISS060S0 | 7707570    | CHAIN OVERLOAD CLUTCH STRONG   |
| ISS060W0 | 7707571    | CHAIN OVERLOAD CLUTCH WEAK   |
| ISS14000 | 7707572    | INVERTER CLAMP   |
| ISW01010 | 7707573    | INVERTER DRUM  |
| LFS03000 | 7707574    | LIFT DETECT SENSOR   |
| LFS04000 | 7707575    | LF DRUM  |
| LFS06000 | 7707576    | ANTI-BACKUP ROLLER SET   |
| QFS01000 | 7707580    | LF-PR CAHIN  |
| RD030000 | 7707581    | GEAR   |
| RDS01000 | 7707582    | MOTOR ASSEMBLY   |
| RDS02000 | 7707583    | DOOR BOTTOM  |
| FMW31000 | 7707785    | Slug Bin Switch Cable  |
| IS089020 | 7707826    | HUB  |
| IS130020 | 7707851    | DETECT PIVOT ARM   |
| IS145000 | 7707866    | CLUTCH SPROCKET 20T #35 ROLLER CHAIN                                       |
| LF227030 | 7707933    | SUPPORT BRACKET  |
| PNO54000 | 7707986    | Slug Bin Tray  |
| PN058010 | 7707987    | Sprocket   |
| AP253000 | 0147080006 | BRAIDED GROUND CABLE ASSEMBLY  |
| 32SHS8A5 | 0147080007 | SOCKET CAP SCREW 18-8 STAINLESS #4-40 X 1-1/2                              |
| 536EM410 | 0482004200 | MALE ELBOW BARB FITTING BRASS 1/8IDT X #10-32                              |
| 3VGBC075 | 1155022    | GBC WARRANTY CARD  |
| 31DRB004 | 1730394    | DRILL BUSHING, HEADLESS, PRESS FIT, 0.2031ID X 3/8 OD X 1/4L               |
| 32bhse50 | 1730400    | BUTTON HEAD SOCKET CAP SCREW 18-8 STAINLESS #8-32 X 1/2                    |
| 32SHS863 | 1730414    | SOCKET CAP SCREW 18-8 STAINLESS #4-40 X 5/8                                |
| 32SHSC44 | 1730417    | SOCKET CAP SCREW 18-8 STAINLESS #6-32 X 7/16                               |
| 32SHSE75 | 1730422    | SOCKET CAP SCREW 18-8 STAINLESS #8-32 X 3/4                                |
| 32SHSIB0 | 1730438    | SOCKET CAP SCREW 18-8 STAINLESS #1/4-20 X 2                                |
| 34cpac13 | 1730450    | CUP POINT SOCKET SET SCREW ALLOY STEEL, BLACK FINISH #6-32 X 1/8           |
| 34SPBF19 | 1730455    | BRASS TIPPED SOCKET SET SCREW ALLOY STEEL, BLACK FINISH #10-32 X 3/16 LGTH |
| 3CRSA8A8 | 1730467    | ROUND SPACER ALUMINUM 1/2OD X #10ID X 1/2L                                 |
| 3CRSA8C6 | 1730468    | ROUND SPACER ALUMINUM 1/2OD X 1/4ID X 3/8L                                 |
| 3CRSC6AA | 1730471    | ROUND SPACER, ZINC PLATED STEEL, 3/8OD X #10 ID X 5/8L                     |
| 3CRSC8AA | 1730472    | ROUND SPACER, STEEL, 0.500 OD X 0.192 ID X 0.625 LG                        |
| 3DRSAABG | 1730477    | ROUND STANDOFF, ALUMINUM, 5/8OD X #10-32ID X 1L                            |
| 3QRSR014 | 1730491    | RECESSED BUMPER RUBBER 5/8OD X 5/32ID X 9/32H                              |
| 60BS0688 | 1730531    | OIL IMP BRG SIN BRONZE 3/8ID X 1/2OD X 1/2L PLAIN                          |
| CC008000 | 1730557    | HEX BUSHING  |
| 30FAN160 | 1730640    | FLAT WASHER AN 960 C, STAINLESS 0.265ID X 0.500OD X 0.073THK               |
| 30slw050 | 1730644    | SPRING LOCK WASHER REGULAR, 18-8 STAINLESS 1/2"                            |
| 32SHS8A0 | 1730658    | SOCKET CAP SCREW 18-8 STAINLESS #4-40 X 1                                  |
| 6DTA4205 | 1771376    | TIMING PULLEY CLR ANOD ALUM 20XL037, 5/16B                                 |
| 2ZADTUM8 | 1771397    | UHMW POLYETHYLENE TAPE ACRYLIC ADHESIVE 0.008" X 1.000"                    |
| 42TIS408 | 1771419    | SCREW MOUNT CABLE TIE NYLON 3/16 X 8 FOR #10                               |
| 42TIE414 | 1771420    | CABLE TIE NATURAL NYLON 0.188 X 14   |
| 60BS08A6 | 1771427    | OIL IMP BRG SIN BRONZE 1/2ID X 5/8OD X 3/8L PLAIN                          |
| 3CRSN686 | 1771450    | ROUND SPACER NYLON 3/8OD X #8ID X 3/8L                                     |

|          |         |  |
|----------|---------|--|
| 2XBPC001 | 1771511 | POLYETHYLENE BAG COVER, 4 MIL, 60 X 56 X 104                                     |
| 34CPAF19 | 1900090 | CUP POINT SOCKET SET SCREW ALLOY STEEL, BLACK FINISH #10-32 X 3/16               |
| 34CPAF38 | 1900091 | CUP POINT SOCKET SET SCREW ALLOY STEEL, BLACK FINISH #10-32 X 3/8                |
| 34CPAI25 | 1900093 | CUP POINT SOCKET SET SCREW ALLOY STEEL, BLACK FINISH 1/4-20 X 1/4                |
| 32SHCF75 | 1900563 | SOCKET HEAD CAP SCREW, #10-32 X .75, ALLOY STEEL                                 |
| 32SHSE19 | 1922108 | SOCKET CAP SCREW 18-8 STAINLESS #8-32 X 3/16                                     |
| 32SHSE50 | 1922111 | SOCKET CAP SCREW 18-8 STAINLESS #8-32 X 1/2                                      |
| 3CRSA5A2 | 1924817 | ROUND SPACER ALUMINUM 5/16OD X #10ID X 1/4L                                      |
| 3CRSA6A8 | 1924819 | ROUND SPACER ALUMINUM 3/8 OD X #10 X 1/2 L                                       |
| 3CRSA6AC | 1924820 | ROUND SPACER ALUMINUM 3/8OD X #10ID X 3/4L                                       |
| 30FMS130 | 1925060 | FLAT WASHER MS 15795 MIL, STAINLESS #10, 0.219ID X 0.438OD X 0.065THK            |
| 30FMS110 | 1925062 | FLAT WASHER MS 15795 MIL, STAINLESS #4, 0.125ID X 0.312OD X 0.040THK             |
| 30FMS116 | 1925063 | FLAT WASHER MS 15795 MIL, STAINLESS #6, 0.156ID X 0.375OD X 0.065THK             |
| 30FMS125 | 1925064 | FLAT WASHER MS 15795 MIL, STAINLESS #8, 0.188ID X 0.375OD X 0.065THK             |
| 30FMS185 | 1925066 | FLAT WASHER MS 15795 MIL, STAINLESS 5/16, 0.344ID X 0.688OD X 0.080THK           |
| 30FMS109 | 1925067 | FLAT WASHER MS15795 MIL, STAINLESS 0.125ID X 0.250OD X 0.028THK                  |
| 30FMS155 | 1925069 | FLAT WASHER MS 15795 MIL, STAINLESS 1/4, 0.281ID X 0.625OD X 0.080THK            |
| 30FFH010 | 1925080 | FINISHED FLAT WASHER STEEL, CASE-HARDENED, THICK #10, 13/64ID X 1/2OD X 3/32 THK |
| 30FFH025 | 1925081 | FINISHED FLAT WASHER STEEL, CASE-HARDENED, THICK 1/4, 9/32ID X 5/8OD X 1/8THK    |
| 30FDS102 | 1925603 | FENDER WASHER 18-8 STAINLESS #8, 11//64ID X 3/4OD X 0.040THK                     |
| 30FDS103 | 1925604 | FENDER WASHER 18-8 STAINLESS #10, 13/64ID X 11/16OD X 0.050THK                   |
| 30FDS114 | 1925605 | FENDER WASHER 18-8 STAINLESS 3/8, 13/32ID X 1-1/4OD X 0.062THK                   |
| 30SLW004 | 1926060 | SPRING LOCK WASHER REGULAR, 18-8 STAINLESS #4                                    |
| 30SLW006 | 1926061 | SPRING LOCK WASHER REGULAR, 18-8 STAINLESS #6                                    |
| 30SLW008 | 1926062 | SPRING LOCK WASHER REGULAR, 18-8 STAINLESS #8                                    |
| 30SLW010 | 1926063 | SPRING LOCK WASHER REGULAR, 18-8 STAINLESS #10                                   |
| 30SLW025 | 1926064 | SPRING LOCK WASHER REGULAR, 18-8 STAINLESS 1/4"                                  |
| 30SLW031 | 1926065 | SPRING LOCK WASHER REGULAR, 18-8 STAINLESS 5/16"                                 |
| 30slw038 | 1926066 | SPRING LOCK WASHER REGULAR, 18-8 STAINLESS 3/8"                                  |
| 42THD002 | 1931048 | PUSH CABLE TIE HOLDER WHITE NYLON FOR 0.25 HOLE                                  |
| 42TIE004 | 1932124 | CABLE TIE NATURAL NYLON 0.1 X 4  |
| 32HHSK75 | 1951991 | HEX HEAD SCREW GRADE 5 5/16-18 X 3/4   |
| 32shs831 | 1980021 | SOCKET CAP SCREW 18-8 STAINLESS #4-40 X 5/16                                     |
| 32SHS856 | 1980022 | SOCKET CAP SCREW 18-8 STAINLESS #4-40 X 9/16                                     |
| 32SHSC25 | 1980027 | SOCKET CAP SCREW 18-8 STAINLESS #6-32 X 1/4                                      |
| 32SHSE38 | 1980047 | SOCKET CAP SCREW 18-8 STAINLESS #8-32 X 3/8                                      |
| 32SHSE63 | 1980051 | SOCKET CAP SCREW 18-8 STAINLESS #8-32 X 5/8                                      |

|          |         |   |
|----------|---------|---|
| 32SHSF31 | 1980069 | SOCKET CAP SCREW 18-8 STAINLESS #10-32 X 5/16   |
| 32SHSF38 | 1980070 | SOCKET CAP SCREW 18-8 STAINLESS #10-32 X 3/8  |
| 32SHSF50 | 1980072 | SOCKET CAP SCREW 18-8 STAINLESS #10-32 X 1/2  |
| 32SHSF75 | 1980075 | SOCKET CAP SCREW 18-8 STAINLESS #10-32 X 3/4  |
| 32SHSF88 | 1980076 | SOCKET CAP SCREW 18-8 STAINLESS #10-32 X 7/8  |
| 32SHSFA0 | 1980077 | SOCKET CAP SCREW 18-8 STAINLESS #10-32 X 1  |
| 32SHSFA3 | 1980079 | SOCKET CAP SCREW 18-8 STAINLESS #10-32 X 1-1/4  |
| 32SHSFA5 | 1980080 | SOCKET CAP SCREW 18-8 STAINLESS #10-32 X 1-1/2  |
| 32SHSFA8 | 1980081 | SOCKET CAP SCREW 18-8 STAINLESS #10-32 X 1 3/4  |
| 32SHSFB0 | 1980082 | SOCKET CAP SCREW 18-8 STAINLESS #10-32 X 2  |
| 32SHSI38 | 1980093 | SOCKET CAP SCREW 18-8 STAINLESS #1/4-20 X 3/8   |
| 32SHSI50 | 1980094 | SOCKET CAP SCREW 18-8 STAINLESS #1/4-20 X 1/2   |
| 32SHSI63 | 1980095 | SOCKET CAP SCREW 18-8 STAINLESS #1/4-20 X 5/8   |
| 32SHSI88 | 1980097 | SOCKET CAP SCREW 18-8 STAINLESS #1/4-20 X 7/8   |
| 32SHSIA0 | 1980098 | SOCKET CAP SCREW 18-8 STAINLESS #1/4-20 X 1   |
| 32SHSIA5 | 1980101 | SOCKET CAP SCREW 18-8 STAINLESS #1/4-20 X 1-1/2                                       |
| 32BHSF38 | 1980279 | BUTTON HEAD SOCKET CAP SCREW 18-8 STAINLESS #10-32 X 3/8                              |
| 32BHSF50 | 1980281 | BUTTON HEAD SOCKET CAP SCREW 18-8 STAINLESS #10-32 X 1/2                              |
| 32BHSI50 | 1980303 | BUTTON HEAD SOCKET CAP SCREW 18-8 STAINLESS #1/4-20 X 1/2                             |
| 32FHSC38 | 1980432 | FLAT HEAD SOCKET CAP SCREW 18-8 STAINLESS #6-32 X 3/8                                 |
| 32FHSE38 | 1980456 | FLAT HEAD SOCKET CAP SCREW 18-8 STAINLESS #8-32 X 3/8                                 |
| 32FHSF50 | 1980461 | FLAT HEAD SOCKET CAP SCREW 18-8 STAINLESS #10-32 X 1/2                                |
| 32FHSF38 | 1980479 | FLAT HEAD SOCKET CAP SCREW 18-8 STAINLESS #10-32 X 3/8                                |
| 32FHSF63 | 1980483 | FLAT HEAD SOCKET CAP SCREW 18-8 STAINLESS #10-32 X 5/8                                |
| 32FHSA0  | 1980486 | FLAT HEAD SOCKET CAP SCREW 18-8 STAINLESS #10-32 X 1                                  |
| 32FHSA3  | 1980488 | FLAT HEAD SOCKET CAP SCREW 18-8 STAINLESS #10-32 X 1 1/4                              |
| 32FHSI50 | 1980503 | FLAT HEAD SOCKET CAP SCREW 18-8 STAINLESS #1/4-20 X 1/2                               |
| 32THMF50 | 1980630 | TRUSS HEAD PHILLIPS MACHINE SCREW 18-8 STAINLESS #10-32 X 1/2                         |
| 33HXS832 | 1980701 | HEX NUT 18-8 STAINLESS #8-32  |
| 33HXSA32 | 1980702 | HEX NUT 18-8 STAINLESS #10-32   |
| 33HXSB20 | 1980703 | HEX NUT 18-8 STAINLESS 1/4-20   |
| 33hjsd16 | 1980801 | HEX JAM NUT 18-8 STAINLESS 3/8-16   |
| 33NLS832 | 1980851 | NYLON INSERT HEX LOCK NUT 18-8 STAINLESS #8-32  |
| 33NLSA32 | 1980852 | NYLON INSERT HEX LOCK NUT 18-8 STAINLESS #10-32                                       |
| 33NLSB20 | 1980853 | NYLON INSERT HEX LOCK NUT 18-8 STAINLESS 1/4-20                                       |
| 3VGBC013 | 6009078 | CSA APPROVAL LABEL NRTL/C W/SERIAL #  |
| 3VGBC006 | 6009106 | FCC LABEL 1 PRESSURE SENSITIVE VINYL 1/2 X 2-1/4                                      |
| 3VGBC058 | 6009178 | CE LABEL PRESSURE SENSITIVE ADHESIVE  |
| 32PPEF38 | 7707501 | PANHEAD PHILLIPS W/EXTERNAL LOCK WASHER ZINC PLATED STEEL 10-32 X 3/8                 |
| 34NLPF38 | 7707502 | NYLON PATCH ALLOY STEEL, BLACK FINISH SET SCREW #10-32 X 3/8                          |
| 3GME45A1 | 7707503 | EXT spring 0.045 X 0.36 X 1.12MUSIC   |
| 3OSCR1DS | 7707504 | Stainless Steel Door hinge leaf, removable style                                      |
| 3OSCR1FS | 7707505 | Stainless Steel Frame hinge leaf, removable style                                     |
| 3PMNT004 | 7707506 | LEVELING MOUNT, ZINC PLATED STEEL, ELASTOMER RUBBER, 1/2-13 X 3", 1.97" BASE DIAMETER |
| 4JMBT017 | 7707507 | Miniature Switch, Roller Lever  |
| 4JMBT019 | 7707508 | Miniature Switch, Straight Lever  |
| 4UGP0017 | 7707509 | Subfractional DC Gearmotor 24 VDC, 25 RPM   |
| 61RI06R9 | 7707510 | Radial ball bearing, 3/8 ID   |

|          |         |  |
|----------|---------|--|
| 3FMI59A8 | 7707513 | COMPRESSION SPRING MUSIC WIRE, PLATED 0.72OD X 0.059WD X 1.5L                                      |
| 3NSNR001 | 7707514 | Snap-In Flush Mnt ABS Plastic Recessed Handle 3-45/64" W X 1-15/32" H O'all, .055"-.070" Panel Thk |
| 3QSTAK16 | 7707515 | Solid Stem Rubber Plug Bumper Flat, 9/16" Head Dia, 1/8" Proj, 1/4" Stem Dia                       |
| 3QSTS121 | 7707516 | Solid Stem Rubber Plug Bumper Flat, 17/32" Head  |
| 3ZGSS164 | 7707517 | Gas Spring With Threaded Ends 5.47" Stroke Length, 40LBS   |
| 3ZGSS165 | 7707518 | Gas Spring With Threaded Ends 5.47" Stroke Length, 50# force                                       |
| 40P08F3B | 7707519 | POWER CORD, NEMA 6-15P X IEC-320-C13, 14/3 SJT, 8' , BLACK   |
| 4FBETA05 | 7707520 | Circuit Breaker, Rocker Actuated, 2-pole   |
| 4LDR0013 | 7707521 | Photoelectric sensor, Polarized Retroreflective, NPN, Dark,  |
| 4LPHE001 | 7707522 | Photoelectric Sensor   |
| 4LRFS011 | 7707523 | Corner Cube Reflector Disc, 26 mm Dia.   |
| 4PMWL001 | 7707524 | 24-Volt Power Supply   |
| 4PMWL002 | 7707525 | 5-Volt Power Supply  |
| 4TVDC001 | 7707526 | Variable Speed DC Motor  |
| 4UGP0013 | 7707527 | Compact DC Gearmotor 41 Max RPM, 19.1 VDC  |
| 4UGP0018 | 7707528 | Subfractional DC Gearmotor 24 VDC, 47 RPM  |
| 4UGP0019 | 7707529 | Subfractional DC Gearmotor 24 VDC, 4.7 RPM   |
| 4USCK212 | 7707530 | DC Motor Controller, Regenerative  |
| 4VVXTB0D | 7707531 | Brushless DC Motor Driver (INCLUDED W/ MOTOR 4VVXTB0M)   |
| 4VVXTB1M | 7707532 | Brushless DC Gear Motor  |
| 4YCZWPC5 | 7707533 | BL2100 W/ BOTTOM MOUNT CONNECTORS  |
| 4YDSP001 | 7707534 | Graphic LCM Display 320 X 240  |
| 4ZPST104 | 7707535 | Power Inlet/Filter   |
| 51CL386R | 7707536 | TUBING RED POLYURETHANE 1/4OD X 0.060W   |
| 5CBCF1AD | 7707537 | FLAT-1 AIR CYLINDER DOUBLE ACTING 9/16B X 1S   |
| 60BSF684 | 7707538 | OIL IMP BRG SIN BRONZE 3/8ID X 1/2OD X 1/4L FLANGE BEARING   |
| 61RI0GS1 | 7707539 | 1" RADIAL BALL BEARING   |
| 61RI0KT1 | 7707540 | 1.25" RADIAL BALL BEARING  |
| 61RIFCWA | 7707541 | RADIAL BALL BEARING 0.750 X 1.625 X .438 WIDE  |
| 61TBG811 | 7707542 | Steel Ball Thrust Bearing For 1/2" Shaft Dia, 1-7/32" OD, Shielded                                 |
| 63ADJ001 | 7707543 | Adjustable-Height Radial-Load Track Roller 1" Roller Dia, 5/8" Roller Width                        |
| 63SDUS01 | 7707544 | Radial-Load Stud Track Roller Sealed, 1/2" Roller Dia, 3/8" Roller Width                           |
| 63SDUS02 | 7707545 | Radial-Load Stud Track Roller Sealed, 1" Roller Dia, 5/8" W, 7/16" Stud Dia                        |
| 65LBB001 | 7707546 | Fixed-Alignment Linear Ball Bearing Closed, Steel, 1/4" Inside Diameter                            |
| 6BJ14030 | 7707547 | Pitch Htd Endless Rubber Timing Belt 8mm Pitch, 1200mm Outer Circle, 30mm WD                       |
| 6BTL450U | 7707548 | TIMING BELT 3/8 PITCH 50T URETHANE   |
| 6DTH4306 | 7707549 | XL Timing Belt Pulley, 30T, w/molded Failoc Hub  |
| 6EIDL001 | 7707550 | 19T #35 ROLLER CHAIN IDLER SPROCKET  |
| BE055L00 | 7707551 | Plain Lift Screw   |
| BE055R00 | 7707552 | Clamp Lift Screw   |
| FMMIO002 | 7707553 | Main I/O board   |
| IS100010 | 7707554 | 13T L BELT PULLEY  |
| IS146010 | 7707555 | 12 PITCH 15T BEVEL GEAR  |
| LF225020 | 7707556 | 1.0 WIDE X 50.36 LONG FLAT BELT  |
| LF319030 | 7707557 | DETECT FINGER B  |
| RD017000 | 7707558 | Motor Gear   |
| RD018000 | 7707559 | Door Slat  |
| SK030000 | 7707560 | Membrane Keyboard  |

|          |         |   |
|----------|---------|---|
| SKA01000 | 7707584 | E-box Cover   |
| SKA14000 | 7707585 | Back Panel  |
| 21s50500 | 7707586 | URETHANE SHEET 50DURO SORBATHANE BLACK 0.500 THK  |
| 2W020WA1 | 7707587 | SHEET OF COPY PAPER WHITE A4 (210MM X 297MM), 20# BOND  |
| 2XLBL003 | 7707588 | Color Coding Dots, Light Blue, 1/4"   |
| 2zadt1   | 7707589 | DOUBLE COATED FOAM TAPE POLYETHYLENE, RUBBER ADHESIVE 0.031" X 0.5"                               |
| 2ZADTUM7 | 7707590 | UHMW Polyethylene Tape 3/4" Width X 18 Yards Length, .0065" Total Thk                             |
| 30fms199 | 7707591 | FLAT WASHER MS 15795 MIL, STAINLESS 3/8, 0.406ID X 0.812OD X 0.080THK                             |
| 30FMS202 | 7707592 | FLAT WASHER MS 15795 MIL, STAINLESS 7/16, 0.468ID X 0.921OD X 0.080 THK                           |
| 30SLW044 | 7707593 | Zinc-Plated Steel Spring Lock Washer 7/16" Screw Sz, .450" ID, .776" OD, .109" Min Thk            |
| 31CDCK68 | 7707594 | Grade 1074 Hi-Carbon Steel Curved Disc Spring 5/8" Hole, 3/8" Rod, .400" ID, .612" OD, .0130" Thk |
| 31CDSK85 | 7707595 | 301 Stainless Steel Curved Disc Spring 13/16" Hole, 1/2" Rod, .531" ID, .795" OD, .0170" Thk      |
| 31CDSK94 | 7707596 | CURVED DISK SPRING 301 SS 0.75ID X 1.125OD  |
| 32BHS825 | 7707597 | BUTTON HEAD SOCKET CAP SCREW 18-8 STAINLESS #4-40 X 1/4   |
| 32bhsc50 | 7707598 | BUTTON HEAD SOCKET CAP SCREW 18-8 STAINLESS #6-32 X 1/2   |
| 32BHSFA3 | 7707599 | BUTTON HEAD SOCKET CAP SCREW 18-8 STAINLESS #10-32 X 1-1/4  |
| 32BHSFA8 | 7707600 | 18-8 SS Button Head Socket Cap Screw 10-32 Thread X 1-3/4" Length                                 |
| 32fhcf50 | 7707601 | FLAT HEAD SOCKET CAP SCREW, ALLOY STEEL, BLACK FINISH, #10-32 X 1/2                               |
| 32FHS875 | 7707602 | FLAT HEAD SOCKET CAP SCREW 18-8 STAINLESS #4-40 X 3/4   |
| 32FHSC50 | 7707603 | FLAT HEAD SOCKET CAP SCREW 18-8 STAINLESS #6-32 X 1/2   |
| 32fhse75 | 7707604 | FLAT HEAD SOCKET CAP SCREW, 18-8 STAINLESS, #8-32 X 3/4   |
| 32FHSEA0 | 7707605 | FLAT HEAD SOCKET CAP SCREW 18-8 STAINLESS #8-32 X 1   |
| 32FHSE75 | 7707606 | 18-8 SS Flat Head Socket Cap Screw 10-32 Thread, 3/4" Length                                      |
| 32FPMF25 | 7707607 | FLAT HEAD PHILLIPS MACHINE SCREW, #10-32 X 1/4  |
| 32NHSC31 | 7707608 | SOCKET HEAD CAP SCREW, NYLON, #6-32 X 5/16  |
| 32PPEC38 | 7707609 | PANHEAD PHILLIPS W/EXTERNAL LOCK WASHER ZINC PLATED STEEL 6-32 X 3/8                              |
| 32PPEI50 | 7707610 | Pan Head Phil Machine Screw W/External Washer Zinc-Plated Steel, 1/4"-20 Thread, 1/2" Length      |
| 32SFSIC5 | 7707611 | 18-8 Stainless Steel Fully Threaded Stud 1/4"-20 Thread, 3-1/2" Length                            |
| 32SHCFA0 | 7707612 | SOCKET CAP SCREW, ALLOY STEEL, BLACK FINISH, #10-32 X 1.00  |
| 32SHCI50 | 7707613 | SOCKET CAP SCREW ALLOY STEEL, BLACK FINISH 1/4-20 X 1/2   |
| 32SHCIA5 | 7707614 | SOCKET CAP SCREW ALLOY STEEL, BLACK FINISH #1/4-20 X 1-1/4  |
| 32SHCIC3 | 7707615 | SOCKET CAP SCREW ALLOY STEEL, BLACK FINISH 1/4-20 X 3-1/4   |
| 32SHCKA0 | 7707616 | Alloy Steel Socket Head Cap Screw 5/16"-18 Thread, 1" Length                                      |
| 32SHCKA3 | 7707617 | Alloy Steel Socket Head Cap Screw 5/16"-18 Thread, 1-1/4" Length                                  |
| 32SHS875 | 7707618 | SOCKET CAP SCREW 18-8 STAINLESS #4-40 X 3/4   |
| 32SHSEA0 | 7707619 | SOCKET CAP SCREW 18-8 STAINLESS #8-32 X 1   |
| 32SHSIB3 | 7707620 | SOCKET CAP SCREW 18-8 STAINLESS #1/4-20 X 2-1/4   |
| 33CLN001 | 7707621 | 1/2" Conduit Locknut, Zinc Plated Steel   |
| 33HJCE20 | 7707622 | Grade 5 Zinc-Plated Steel Hex Thin (Jam) Nut 7/16"-20 Screw Size, 11/16" WD, 1/4" HT              |
| 33HXS440 | 7707623 | HEX NUT 18-8 STAINLESS #4-40  |
| 33NLS440 | 7707624 | NYLON INSERT HEX LOCK NUT 18-8 STAINLESS #4-40  |

|          |         |   |
|----------|---------|---|
| 34CPAE25 | 7707625 | CUP POINT SOCKET SET SCREW ALLOY STEEL, BLACK FINISH #8-32 X 1/4                              |
| 34CPAI38 | 7707626 | CUP POINT SOCKET SET SCREW ALLOY STEEL, BLACK FINISH 1/4-20 X 3/8                             |
| 34CPAI75 | 7707627 | Alloy Steel Cup Point Socket Set Screw 1/4"-20 Thread, 3/4" Length                            |
| 34SPBF25 | 7707628 | BRASS TIPPED SOCKET SET SCREW ALLOY STEEL, BLACK FINISH #10-32 X 1/4, 3/64TIP LGTH            |
| 36DAA020 | 7707629 | DOME HEAD OPEN-END BLIND RIVET ALUMINUM BODY, STEEL MANDREL 1/8DIA X 0.126-0.187GRP           |
| 36DSS050 | 7707630 | Plain Steel Std Blind Rivet W/Steel Mandrel Dome, 3/16" Dia, .126"-.250" Matl Thk             |
| 36HEL002 | 7707631 | 18-8 SS Screw-Lock Helical Insert 10-32 Internal Thread, .285" Length                         |
| 3731ZA25 | 7707632 | Retaining Ring Series 3100 1.176G .056W   |
| 38C1A375 | 7707633 | ONE-PIECE CLAMP STYLE COLLAR ALUMINUM 3/8ID X 7/8OD X 3/8W                                    |
| 38C2C500 | 7707634 | TWO-PIECE CLAMP STYLE COLLAR STEEL, BLACK FINISH 1/2ID X 1-1/8OD X 13/32W                     |
| 38CIA750 | 7707635 | One-Piece Aluminum Clamp-On Collar 3/4" Bore, 1-1/2" Outside Diameter, 1/2" Width             |
| 38SSA375 | 7707636 | SHAFT COLLAR, SET SCREW STYLE, STEEL (ZINC PLATED) 0.375 ID                                   |
| 3ADCSI06 | 7707637 | Metric 18-8 Hardened Steel Dowel Pin M2 Diameter, 6mm Length                                  |
| 3BPSK419 | 7707638 | 18-8 SS Precision Hex Socket Shoulder Screw 1/4" Shoulder Dia, 3/16" L Shoulder, 10-32 Thread |
| 3CRSA443 | 7707639 | ROUND SPACER ALUMINUM 1/4OD X #4ID X 3/16L  |
| 3CRSA464 | 7707640 | ROUND SPACER, ALUMINUM, 1/4 OD X #6 ID X 1/4 LONG   |
| 3CRSA6A4 | 7707641 | Aluminum Unthreaded Round Spacer 3/8" OD X #10 ID X 1/4" LONG                                 |
| 3CRSA6AE | 7707642 | ROUND ALUMINUM SPACER 3/8 OD X #10 ID X 7/8 LONG  |
| 3CRSA6AK | 7707643 | ROUND SPACER ALUMINUM 3/8OD X #10 ID X 1-1/4 LONG   |
| 3CRSA88C | 7707644 | Aluminum Unthreaded Round Spacer 1/2" OD X #8 ID X 3/4 LONG                                   |
| 3CRSC6A4 | 7707645 | ROUND SPACER, ZINC PLATED STEEL, 3/8OD X #10ID X 1/4L   |
| 3CRSN44E | 7707646 | Nylon Unthreaded Round Spacer 1/4" OD, 7/8" Length, #4 Screw Size                             |
| 3CRSN488 | 7707647 | Nylon Unthreaded Round Spacer 1/4" OD, 1/2" Length, #8 Screw Size                             |
| 3DRSB44A | 7707648 | Znc-Pltd Brass Threaded Round Standoff-1/4" OD 5/8" Length, #4-40                             |
| 3NMCT004 | 7707649 | Magnetic Catch  |
| 3PCST104 | 7707650 | SWIVEL CASTER   |
| 3QRSR046 | 7707651 | Recessed Rubber Bumper W/Washr, 23/32" Base Dia, 13/32" Proj, 5/16" Top Open WD               |
| 3USTL219 | 7707652 | Chrome Steel Ball 7/32" Diameter, Grade 25  |
| 3VGBC086 | 7707653 | "GBC Quantum P70iX" Label   |
| 3VGBC087 | 7707654 | "Don't Stand" Label   |
| 3VGBC088 | 7707655 | "Moving Parts (Belt)" Label   |
| 3VGBC089 | 7707656 | "Crush Hazard" Label  |
| 3VGBC090 | 7707657 | "Moving Parts" Label  |
| 3VGBC092 | 7707658 | "Can. Class A" Label  |
| 3VGBC093 | 7707659 | Quantum Serial Number Label   |
| 3VGBC094 | 7707660 | "On/Off" Label  |
| 3VGBC095 | 7707661 | "Shock Triangle" Label  |
| 3VGBC097 | 7707662 | "Ground Symbol" Label   |
| 3VGBC098 | 7707663 | "Electrical Shock" Label  |
| 3VGBC099 | 7707664 | "Risk of Explosion" Label   |
| 3VGBC100 | 7707665 | "Earth Ground" Label  |
| 3VGBC101 | 7707666 | "TUV GS" Label  |

|          |         |  |
|----------|---------|--|
| 3VGBC103 | 7707667 | Quantum P70iX User Guide   |
| 42BUS224 | 7707668 | Liquidtight Strain Relief Cord Connector, 1/2" Conduit, Cable Range 0.250 - 0.375 Inches   |
| 42BUS244 | 7707669 | Strain Relief Bushing  |
| 42GMMK14 | 7707670 | GROMMET, RUBBER, 5/8"OD X 1/4"H X 7/16" GROOVE DIAMETER                                    |
| 42GMTK21 | 7707671 | Military Specification Rubber Grommet MS 35489 No. 35, AN 931 No. A4-7                     |
| 42GMTK32 | 7707672 | Standard SBR Rubber Grommet 3/8" Hole Dia, 1/16" Groove WD, 1/2" Groove Dia                |
| 42GMTK37 | 7707673 | Rubber Grommet MS 35489 No. 91, AN 931 No. C3-5, H 3/16, GW 1/4, T 3/8, OD 7/16, GD 5/16   |
| 42GMTK61 | 7707674 | Military Specification Rubber Grommet MS 35489 No. 23, AN 931 No. 16-22                    |
| 42GMTK75 | 7707675 | Rubber Grommet MS 35489 No. 56, AN 931 No. A24-28, H 1.5, GW 1/8, T 1/2, DP 2-1/8, DG 1.75 |
| 45AMP027 | 7707676 | MTA-100 Connector, 24 AWG, White, for Vexta Cables   |
| 45MLX111 | 7707677 | MALE QUICK CONNECT, INSULATED INSULATED 22-18 AWG, 0.187 X 0.020                           |
| 4MHCLR01 | 7707678 | HALL EFFECT ROTARY POSITION SENSOR   |
| 4VVXTB0C | 7707679 | Extension Cable for Brushless DC Motor   |
| 536CM410 | 7707680 | MALE BARB CONNECTOR 1/8IDT X #10-32  |
| 60BS08AE | 7707681 | SAE 841 Unmounted Plain Bronze Sleeve Bearing For 1/2" Shaft Dia, 5/8" OD, 7/8" Lg         |
| 62TRBK38 | 7707682 | CAGE ASSY FOR THRUST ROLLER BEARING 1.250 ID X 1.94 OD X 5/64 THICK                        |
| 6BTL8515 | 7707683 | Timing Belt, Polyurethane, low friction teeth  |
| 6CR3500S | 7707684 | Roller Chain, #35, Steel   |
| 6DHTD001 | 7707685 | Htd Series Timing Belt Pulley For 8mm Pitch, 30mm WD Belt, 90 Teeth                        |
| 6DHTD002 | 7707686 | Htd Series Timing Belt Pulley For 8mm Pitch, 30mm WD Belt, 3.15" OD, 28 Teeth              |
| 6DTA4306 | 7707687 | TIMING PULLEY, CLR ANOD ALUM, 30XL037, 3/8 B   |
| 6DTA4325 | 7707688 | TIMING PULLEY CLR ANOD ALUM 32XL037, 5/16B   |
| 6DTA4326 | 7707689 | TIMING PULLEY CLR ANOD ALUM 32XL037, 3/8B  |
| 6DVBBK34 | 7707690 | Cast Iron Finished-Bore V-Belt Pulley 3.55" OD, 5/8" Bore                                  |
| 6DVBK140 | 7707691 | Cast Iron Finished-Bore V-Belt Pulley 13.75" OD, 1" Bore                                   |
| 6FQDBSHA | 7707692 | Quick-Disconnect Bushing Style H 1.00 Bore   |
| 6FQDBSKB | 7707693 | Quick-Disconnect Bushing Style Sk 1.25 Bore  |
| 6FSRCR01 | 7707694 | Light Duty Reducer Bushing 1/2" OD, 3/8" ID, 1-1/8" Length                                 |
| 6JR00001 | 7707695 | Steel Needle-Roller Clutch Bearing Acetal Cage, 3/8" Shaft Dia, 5/8" OD, 7/8" WD           |
| 6JR40708 | 7707696 | Steel Needle-Roller Clutch Bearing Acetal Cage, 1/4" Shaft Dia, 7/16" OD, 1/2" WD          |
| BE001001 | 7707697 | Roller   |
| BE002000 | 7707698 | Finger Side Plate  |
| BE003000 | 7707699 | Finger Frame   |
| BE003100 | 7707700 | Simple Finger Frame  |
| BE004000 | 7707701 | Narrow Shim  |
| BE006000 | 7707702 | Switch Trigger   |
| BE007001 | 7707703 | Wide Shim  |
| BE009001 | 7707704 | Trolley  |
| BE012000 | 7707705 | Timing Shaft   |
| BE013000 | 7707706 | Conveyor Frame   |
| BE015001 | 7707707 | Feeder Platform  |
| BE024000 | 7707708 | Conveyor Clamp   |

|          |         |                                       |
|----------|---------|---------------------------------------|
| BE025000 | 7707709 | Conveyor Front Cover                  |
| BE043002 | 7707710 | Bearing Bracket                       |
| BE044000 | 7707711 | Nose (inner)                          |
| BE044100 | 7707712 | Nose (outer)                          |
| BE047000 | 7707713 | Linear Guide Shaft-No Chamfer on Ends |
| BE049000 | 7707714 | Interlock Bracket                     |
| BE054000 | 7707715 | Encoder Stay                          |
| BE056L01 | 7707716 | Left Nut Stay                         |
| BE056R01 | 7707717 | Right Nut Stay                        |
| BE057000 | 7707718 | Limit Switch Bracket                  |
| BE058000 | 7707719 | Idler Ring                            |
| BE061000 | 7707720 | Guide Strip                           |
| BE070000 | 7707721 | Drive Pulley                          |
| BE071001 | 7707722 | Roll Door Up Switch Brkt              |
| BE072000 | 7707723 | Stacker Platform                      |
| BE073000 | 7707724 | Conveyor Front Cover                  |
| BE074000 | 7707725 | Paper Out Bracket                     |
| BE075001 | 7707726 | Feeder Platform One                   |
| BE076000 | 7707727 | Thrust Cup                            |
| BE078000 | 7707728 | Inverter Anchor                       |
| BE079001 | 7707729 | Finger Guard                          |
| BE080000 | 7707730 | Feeder Platform 2+3                   |
| BE081000 | 7707731 | Right Tie Bracket                     |
| BE082000 | 7707732 | Left Tie Bracket                      |
| BEA22000 | 7707733 | Horizontal Cross Member               |
| BEA45002 | 7707734 | Right Side Plate                      |
| BEA46001 | 7707735 | Left Side Plate                       |
| BEA52000 | 7707736 | Drive Base                            |
| FM012000 | 7707737 | PN Clamp                              |
| FM025000 | 7707738 | Gutter                                |
| FM036010 | 7707739 | PN Brace                              |
| FM037000 | 7707740 | PR Spacer                             |
| FM044002 | 7707741 | Interlock Cover                       |
| FM046000 | 7707742 | Strain Relief Bracket                 |
| FM047000 | 7707743 | CASTER SPACER                         |
| FMA13002 | 7707744 | Electrical Panel                      |
| FMA18000 | 7707745 | Back Strut                            |
| FMA23000 | 7707746 | Left Back Hinge Bracket               |
| FMA24000 | 7707747 | Right Back Hinge Bracket              |
| FMA34000 | 7707748 | Front Strut                           |
| FMA38001 | 7707749 | Left Extension Assembly               |
| FMA39001 | 7707750 | Stacker Port                          |
| FMA40010 | 7707751 | Frame Weldment                        |
| FMA43000 | 7707752 | Stacker Back Stop                     |
| FMW01000 | 7707753 | Main Motor Cable                      |
| FMW02000 | 7707754 | Main Home Sw Cable                    |
| FMW03000 | 7707755 | Main Encoder Cable                    |
| FMW04000 | 7707756 | Lifter Assembly Cable                 |
| FMW04100 | 7707757 | Stacker Assembly Cable                |
| FMW04200 | 7707758 | Belt Conveyor Switch Harness          |
| FMW05000 | 7707759 | Lifter Encoder Cable                  |
| FMW05100 | 7707760 | Stacker Encoder Cable                 |



|          |         |                                |
|----------|---------|--------------------------------|
| FMW06000 | 7707761 | Lift Pot + Entr Sensor Cable   |
| FMW07000 | 7707762 | Lifter Signal Cable            |
| FMW07100 | 7707763 | Stacker Signal Cable           |
| FMW08000 | 7707764 | TBJ3 Cable Assy                |
| FMW09000 | 7707765 | TBP4 Cable Assy                |
| FMW10000 | 7707766 | TBP3 Signal Cable              |
| FMW11000 | 7707767 | TBJ4 Signal Cable              |
| FMW12000 | 7707768 | Dieset Assy Cable              |
| FMW13000 | 7707769 | Dieset Signal Cable            |
| FMW14000 | 7707770 | Covers Interlock Cable         |
| FMW16000 | 7707771 | Stack Paper Switch Cable       |
| fmw17010 | 7707772 | Exit Sensor Cable              |
| FMW18000 | 7707773 | 5VPSU-AC Cable                 |
| FMW19000 | 7707774 | 5VPSU-DC Cable                 |
| FMW20000 | 7707775 | 24VPSU-AC Cable                |
| FMW21000 | 7707776 | 24PSU-DC Cable                 |
| FMW23000 | 7707777 | Main AC Power Switch Cable     |
| FMW24000 | 7707778 | RIBBON CABLE                   |
| FMW25000 | 7707779 | AC Power Inlet Cable           |
| FMW26000 | 7707780 | Main Controller AC Power Cable |
| FMW27000 | 7707781 | Main Controller Signal Cable   |
| FMW28000 | 7707782 | Display Cable                  |
| FMW29000 | 7707783 | Vexta Motor Controller Cable   |
| FMW30000 | 7707784 | Display Panel Ground Strap     |
| IS004040 | 7707786 | SHAFT                          |
| IS007040 | 7707787 | GENEVA DRIVER ARM              |
| IS009030 | 7707788 | DRIVE GEAR                     |
| IS010040 | 7707789 | DRIVEN PARTIAL GEAR            |
| IS015030 | 7707790 | SHAFT                          |
| IS018010 | 7707791 | DRIVEN GEAR                    |
| IS020040 | 7707792 | HOLLOW SHAFT                   |
| IS021070 | 7707793 | FLIPPER SPIDER                 |
| IS0230A0 | 7707794 | INNER CAM                      |
| IS024040 | 7707795 | GENEVA STOP                    |
| IS032000 | 7707796 | THREADED ROD                   |
| IS034040 | 7707797 | STANDOFF                       |
| IS040030 | 7707798 | DRIVEN ROLLER BUSHING          |
| IS041020 | 7707799 | SHAFT CLAMP                    |
| IS044040 | 7707800 | DRIVEN GEAR                    |
| IS0470A0 | 7707801 | CLAMP BRACKET                  |
| IS048030 | 7707802 | YOKE                           |
| IS049040 | 7707803 | LINK                           |
| IS050020 | 7707804 | SHAFT                          |
| IS051040 | 7707805 | LINK                           |
| IS052050 | 7707806 | FLIPPER SPIDER                 |
| IS061030 | 7707807 | SPACER SHAFT                   |
| IS062040 | 7707808 | STANDOFF                       |
| IS064020 | 7707809 | SHAFT                          |
| IS066020 | 7707810 | GENEVA STAR WHEEL              |
| IS067020 | 7707811 | COUPLING HUB                   |
| IS068040 | 7707812 | LATCH ARM                      |
| IS069080 | 7707813 | EXTERNAL CAM                   |

|          |         |  |
|----------|---------|--|
| IS071030 | 7707814 | LATCH SHAFT                                  |
| IS072040 | 7707815 | LARGE HUB                                    |
| IS074020 | 7707816 | LOWER INPUT PULLEY                           |
| IS075020 | 7707817 | DRIVEN INPUT SHAFT                           |
| IS076L80 | 7707818 | LOWER INFEED PLATE LH                        |
| IS076R80 | 7707819 | LOWER INFEED PLATE RH                        |
| IS078020 | 7707820 | DRUM SLEEVE                                  |
| IS080000 | 7707821 | STANDOFF SHAFT                               |
| IS081090 | 7707822 | UPPER SIDE PLATE                             |
| IS086040 | 7707823 | DRUM HUB                                     |
| IS087030 | 7707824 | BELT DRIVE SHAFT                             |
| IS088020 | 7707825 | BRACKET                                      |
| IS090010 | 7707827 | DRIVEN BEVEL GEAR SHAFT                      |
| IS091010 | 7707828 | HUB  |
| IS092010 | 7707829 | DRIVEN GEAR                                  |
| IS093020 | 7707830 | WEIRD PART                                   |
| IS094000 | 7707831 | TRANSFER GEAR                                |
| IS095000 | 7707832 | STUB SHAFT                                   |
| IS096010 | 7707833 | HUB  |
| IS097060 | 7707834 | NIP PIVOT BRACKET                            |
| IS098000 | 7707835 | 16T XL TIMING BELT PULLEY WITH CENTER GROOVE |
| IS099030 | 7707836 | LOWER INFEED BRACKET                         |
| IS103080 | 7707837 | FRONT PLATE                                  |
| IS104000 | 7707838 | SPRING ANCHOR ROD                            |
| IS105000 | 7707839 | PULLEY FLANGE                                |
| IS106050 | 7707840 | REAR PLATE                                   |
| IS111060 | 7707841 | CAM CLAMP                                    |
| IS113050 | 7707842 | EXTERNAL CAM                                 |
| IS116040 | 7707843 | DETECT SHAFT                                 |
| IS121080 | 7707844 | STACK DETECTOR CAM                           |
| IS122080 | 7707845 | LIFT ARM                                     |
| IS123060 | 7707846 | STOP BRACKET                                 |
| IS125040 | 7707847 | DETECT FINGER                                |
| IS127020 | 7707848 | SWITCH ACTUATOR                              |
| IS128030 | 7707849 | PIVOT BLOCK                                  |
| IS129020 | 7707850 | DETECT SHAFT                                 |
| IS131020 | 7707852 | DETECT LIFT ROD                              |
| IS132010 | 7707853 | COVER  |
| IS133030 | 7707854 | SENSOR BRACKET                               |
| IS134000 | 7707855 | CHAIN IDLER SPACER                           |
| IS135000 | 7707856 | 20 L TIMING BELT PULLEY                      |
| IS136000 | 7707857 | BELT TENSION TUBE                            |
| IS137000 | 7707858 | TENSIONER SHAFT                              |
| IS138010 | 7707859 | TENSION BLOCK                                |
| IS139000 | 7707860 | DISK   |
| IS140010 | 7707861 | Long Hub                                     |
| IS141060 | 7707862 | INFEED BRACKET                               |
| IS142000 | 7707863 | SHORT HUB                                    |
| IS143000 | 7707864 | MOUNT BLOCK                                  |
| IS144020 | 7707865 | DUST COVER                                   |
| IS148000 | 7707867 | 13T L BELT PULLEY IDLER                      |
| IS149000 | 7707868 | BEARING SHAFT                                |

|          |         |                               |
|----------|---------|-------------------------------|
| IS150010 | 7707869 | DEFLECTOR                     |
| IS151010 | 7707870 | MOUNT BOSS                    |
| IS153020 | 7707871 | BEARING PLATE                 |
| IS154000 | 7707872 | NIP PIVOT BRACKET REAR        |
| IS155000 | 7707873 | Geyser Tray                   |
| IS156010 | 7707874 | Reflector Mount               |
| ISS26000 | 7707875 | GEAR AND HUB ASSEMBLY         |
| LF103080 | 7707876 | GRASPER IN OUT CAM            |
| LF104080 | 7707877 | GRASPER UP DOWN CAM           |
| LF105060 | 7707878 | INNER FRAME PLATE             |
| LF1070B0 | 7707879 | PICK IN OUT CAM               |
| LF108010 | 7707880 | FLAT BELT DRIVE PULLEY        |
| LF109030 | 7707881 | FLAT BELT PULLEY HUB          |
| LF110010 | 7707882 | FLAT BELT DRIVE SHAFT         |
| LF111010 | 7707883 | CENTER STANDOFF               |
| LF1120A0 | 7707884 | PICK UP DOWN CAM              |
| LF113040 | 7707885 | CAM SHAFT                     |
| LF115050 | 7707886 | GUIDE ROD MOUNT BRACKET       |
| LF126060 | 7707887 | GRASPER                       |
| LF127010 | 7707888 | GRASPER FOLLOWER BRACKET      |
| LF129000 | 7707889 | PICK IN OUT PIVOT SHAFT       |
| LF132000 | 7707890 | PICK IN OUT BRACKET           |
| LF134000 | 7707891 | GRASPER ARM                   |
| LF135010 | 7707892 | GRASPER LINK                  |
| LF136050 | 7707893 | INPUT PAPER STOP              |
| LF137040 | 7707894 | GRASPER CAM BRACKET           |
| LF140030 | 7707895 | CAM BRACKET PIVOT SHAFT       |
| LF141010 | 7707896 | GRASPER SHAFT BRACKET         |
| LF142010 | 7707897 | MID SIZE LINK ARM             |
| LF147000 | 7707898 | STANDOFF                      |
| LF162010 | 7707899 | SPACER B                      |
| LF163010 | 7707900 | SPACER C                      |
| LF164010 | 7707901 | SPACER D                      |
| LF165020 | 7707902 | SPACER E                      |
| LF166030 | 7707903 | SPACER F                      |
| LF167010 | 7707904 | SPACER A                      |
| LF170000 | 7707905 | IDLER BRACKET                 |
| LF176020 | 7707906 | CROSS BAR                     |
| LF179020 | 7707907 | IDLER SHAFT                   |
| LF180020 | 7707908 | IDLER PIVOT SHAFT             |
| LF185020 | 7707909 | SENSOR ARM                    |
| LF187020 | 7707910 | STACK DETECT PIVOT SHAFT      |
| LF190000 | 7707911 | DRIVE GEAR                    |
| LF191000 | 7707912 | INTERMEDIATE GEAR             |
| LF192000 | 7707913 | DRIVEN GEAR                   |
| LF193000 | 7707914 | GEAR STUB SHAFT               |
| LF194020 | 7707915 | STACK SWITCH ACTUATOR BRACKET |
| LF196020 | 7707916 | PICKER PIVOT BRACKET          |
| LF199090 | 7707917 | STACK DETECT MOUNT BRACKET    |
| LF203060 | 7707918 | RIGHT SIDE PLATE              |
| LF204010 | 7707919 | LINEAR SHAFT                  |
| LF207070 | 7707920 | LEFT SIDE PLATE               |

|          |         |                             |
|----------|---------|-----------------------------|
| LF209010 | 7707921 | UPPER BEARING BRACKET       |
| LF210030 | 7707922 | GRASPER ROLLER BRACKET      |
| LF211020 | 7707923 | LOWER BEARING BLOCK         |
| LF212L30 | 7707924 | CENTER MOUNT BRACKET, LEFT  |
| LF212R30 | 7707925 | CENTER MOUNT BRACKET, RIGHT |
| LF214080 | 7707926 | IDLER CARRIAGE              |
| LF215020 | 7707927 | GRASPER DRIVE SHAFT         |
| LF216000 | 7707928 | GRASPER PIVOT SHAFT         |
| LF218020 | 7707929 | GRASPER SPRING FINGER       |
| LF221000 | 7707930 | GRASPER ROLLER SHAFT        |
| LF222060 | 7707931 | PICK FINGER                 |
| LF223040 | 7707932 | PICK FINGER BRACKET         |
| LF228010 | 7707934 | CENTER SUPPORT BRACKET      |
| LF230000 | 7707935 | TEE                         |
| LF300010 | 7707936 | INFEED LEAF                 |
| LF303040 | 7707937 | CENTER INFEED BRACKET TOP   |
| LF3050B0 | 7707938 | DETECTOR BRACKET            |
| LF306L40 | 7707939 | ANTI BACKUP BRACKET LEFT    |
| LF306R40 | 7707940 | ANTI BACKUP BRACKET RIGHT   |
| LF307010 | 7707941 | BEARING BLOCK               |
| LF308070 | 7707942 | STACK TOP FINGER            |
| LF310000 | 7707943 | ORING SLEEVE                |
| LF312010 | 7707944 | DUAL PULLEY SHAFT           |
| LF313020 | 7707945 | ARM                         |
| LF314000 | 7707946 | MID SIZE LINK ARM           |
| LF316010 | 7707947 | INFEED MOUNT SHAFT          |
| LF318000 | 7707948 | BUMPER MOUNT FINGER         |
| LF320000 | 7707949 | CLAMP BRACKET               |
| LF321070 | 7707950 | Aux Pick Finger             |
| LF323000 | 7707951 | IDLER ROLLER                |
| LF324000 | 7707952 | RETARD PIVOT SHAFT          |
| LFS02000 | 7707953 | FEEDER DECK W/PEMS          |
| PN001040 | 7707954 | SIDE PLATE                  |
| PN002020 | 7707955 | DIE SET MOUNT               |
| PN004020 | 7707956 | PUNCH DRIVE ARM             |
| PN005020 | 7707957 | DRIVE BAR                   |
| PN006050 | 7707958 | CAM SHAFT                   |
| PN007030 | 7707959 | STRIPPER BRACKET            |
| PN008010 | 7707960 | TIE BAR                     |
| PN012010 | 7707961 | DIE SET MOUNT BAR           |
| PN013000 | 7707962 | CAM FOLLOWER MOUNT          |
| PN014010 | 7707963 | TRANSFER SHAFT              |
| PN016000 | 7707964 | STANDOFF                    |
| PN018000 | 7707965 | CROSS BAR                   |
| PN019020 | 7707966 | DIE SET HOLD DOWN           |
| PN022000 | 7707967 | BEARING BLOCK               |
| PN023010 | 7707968 | MOTOR BRACKET               |
| PN028010 | 7707969 | DIE SET INFEED              |
| PN029020 | 7707970 | INFEED MOUNTS               |
| PN031030 | 7707971 | MOUNT BLOCK                 |
| PN032010 | 7707972 | SLUG CHUTE                  |
| PN033000 | 7707973 | SLUG CHUTE RETAINER         |

|          |         |                            |
|----------|---------|----------------------------|
| PN034L20 | 7707974 | DIESET DRIVE CAM LEFT      |
| PN034R20 | 7707975 | DIESET DRIVE CAM RIGHT     |
| PN035090 | 7707976 | DIE CLAMP BRACKET          |
| PN036030 | 7707977 | DIE CLAMP WEDGE PLATE      |
| PN037010 | 7707978 | DIESET CLAMP CAM           |
| PN040020 | 7707979 | CLAMP MOTOR GEAR           |
| PN041020 | 7707980 | CAM GEAR                   |
| PN042030 | 7707981 | DIESET PIN LATCH           |
| PN043050 | 7707982 | DIE ADJUST MOUNT BRACKET   |
| PN044050 | 7707983 | DIE ADJUST SCREW           |
| PN045010 | 7707984 | DIE ADJUST BLOCK           |
| PN048000 | 7707985 | CAM SHAFT                  |
| PN059010 | 7707988 | SPROCKET HUB               |
| PN060020 | 7707989 | HOME SWITCH ACTUATOR       |
| PN061030 | 7707990 | Switch Bracket             |
| PN063000 | 7707991 | Handwheel                  |
| PN064000 | 7707992 | BEARING RETAINER SPACER    |
| PN0650C0 | 7707993 | BARCODE SENSOR BRACKET     |
| PN066020 | 7707994 | SENSOR BRACKET             |
| PN067000 | 7707995 | Encoder Bracket            |
| PN068010 | 7707996 | SLUG BIN BODY              |
| PN069010 | 7707997 | SLUG BIN END               |
| PN071000 | 7707998 | GEAR HUB                   |
| PN072000 | 7707999 | FOLLOWER WEAR PLATE        |
| PN073000 | 7708000 | SQUARE KEY                 |
| PN077000 | 7708001 | SENSOR SPRING CLIP         |
| PN078000 | 7708002 | Rear Clamp Finger          |
| PN079010 | 7708003 | LEVER ARM                  |
| PR102030 | 7708004 | ADJUST ACME ROD            |
| PR103030 | 7708005 | FIXED HEX SHAFT            |
| PR105040 | 7708006 | EXIT UP DOWN CAM           |
| PR106070 | 7708007 | EXIT IN OUT CAM            |
| PR108060 | 7708008 | LEFT JUSTIFY CAM           |
| PR110020 | 7708009 | RIGHT HEX SHAFT            |
| PR123020 | 7708010 | GEAR CAM SHAFT             |
| PR125000 | 7708011 | CAM SPACER                 |
| PR127040 | 7708012 | CROWNED FLAT BELT PULLEY   |
| PR133000 | 7708013 | RACK CROSS ROD             |
| PR141030 | 7708014 | CENTER DECK LEFT BRACKET   |
| PR148010 | 7708015 | REAR RIGHT JUSTIFY BRACKET |
| PR149030 | 7708016 | REAR JUSTIFIER CAM         |
| PR150010 | 7708017 | REAR LEFT JUSTIFY BRACKET  |
| PR152020 | 7708018 | LEFT REAR MOUNT BRACKET    |
| PR158000 | 7708019 | ACME NUT BLOCK             |
| PR159010 | 7708020 | GUIDE POST                 |
| PR160040 | 7708021 | FLAT BELT IDLER PULLEY     |
| PR179000 | 7708022 | SHAFT BRACKET              |
| PR180010 | 7708023 | GEAR SPACER A              |
| PR181000 | 7708024 | GEAR SPACER B              |
| PR186030 | 7708025 | DECK BAR                   |
| PR189010 | 7708026 | SHORT SPACER               |
| PR191000 | 7708027 | BEARING BLOCK              |

|          |         |   |
|----------|---------|---|
| PR194000 | 7708028 | GEAR SPACER E                             |
| PR195000 | 7708029 | GEAR SPACER F                             |
| PR198000 | 7708030 | LEFT REAR CAM SPACER                      |
| PR205020 | 7708031 | DRIVE IDLER SHAFT                         |
| PR206L70 | 7708032 | LEFT REAR JOG BLOCK                       |
| PR206R70 | 7708033 | RIGHT REAR JOG BLOCK                      |
| PR209030 | 7708034 | CENTER REAR DECK                          |
| PR218020 | 7708035 | TOWER RH                                  |
| PR222010 | 7708036 | ENCODER MOUNT BRACKET                     |
| PR224010 | 7708037 | KICKER LOCATOR BRACKET                    |
| PR225020 | 7708038 | TOWER LH                                  |
| PR226040 | 7708039 | LEFT SIDE FRAME                           |
| PR227070 | 7708040 | RIGHT SIDE FRAME                          |
| PR228010 | 7708041 | FEEDER MOUNT DECK                         |
| PR229020 | 7708042 | FIXED CROSS ROD                           |
| PR230020 | 7708043 | LEFT JUSTIFY BRACKET                      |
| PR231020 | 7708044 | ADJUSTMENT TRANSFER BRACKET               |
| PR233060 | 7708045 | RIGHT JUSTIFY BRACKET                     |
| PR235020 | 7708046 | EXIT PIVOT BRACKET                        |
| PR236010 | 7708047 | EXIT MOUNT BRACKET                        |
| PR237060 | 7708048 | LEFT JUSTIFY BRACKET                      |
| PR238000 | 7708049 | PIVOT SHAFT                               |
| PR239040 | 7708050 | LAST NIP PIVOT BRACKET                    |
| PR240020 | 7708051 | LAST NIP SHAFT                            |
| PR241010 | 7708052 | IDLER                                     |
| PR242000 | 7708053 | TIMING PULLEY CLR ANOD ALUM 20XL037, 3/8B |
| PR244010 | 7708054 | PINION GEAR                               |
| PR245000 | 7708055 | RACK GEAR SHAFT                           |
| PR246010 | 7708056 | RACK                                      |
| PR247010 | 7708057 | RIGHT ANGLE BRACKET                       |
| PR248020 | 7708058 | PIVOT SHAFT                               |
| PR250030 | 7708059 | ADJUSTED HEX SHAFT                        |
| PR254000 | 7708060 | 12 PITCH 15T BEVEL GEAR - TAPPED HEX      |
| PR255000 | 7708061 | 12 PITCH 15T BEVEL GEAR - HEX             |
| PR256010 | 7708062 | 12 PITCH 15T BEVEL GEAR - TAPPED ROUND    |
| PR258000 | 7708063 | TIMING PULLEY CLR ANOD ALUM 16XL037, 3/8B |
| PR262030 | 7708064 | SHAFT BRACKET                             |
| PR263000 | 7708065 | DRIVE IDLER SHAFT                         |
| PR265030 | 7708066 | ROLLER SHAFT SHORT                        |
| PR266000 | 7708067 | REAR RACK CROSS ROD                       |
| PR268040 | 7708068 | SUPPORT BRACKET                           |
| PR270020 | 7708069 | INFEED BRACKET                            |
| PR271030 | 7708070 | CENTER BLOCK                              |
| PR272010 | 7708071 | STRUT                                     |
| PR273020 | 7708072 | RIGHT SUPPORT STRUT                       |
| PR274040 | 7708073 | INVERTER NIP CAM                          |
| PR277010 | 7708074 | ASS KICKER SHAFT                          |
| PR278020 | 7708075 | LEFT TOP RAIL                             |
| PR279030 | 7708076 | PIVOT BLOCK                               |
| PR280L50 | 7708077 | ASS KICKER LEFT                           |
| PR280R50 | 7708078 | ASS KICKER RIGHT                          |
| PR282010 | 7708079 | ASS KICKER CAM                            |

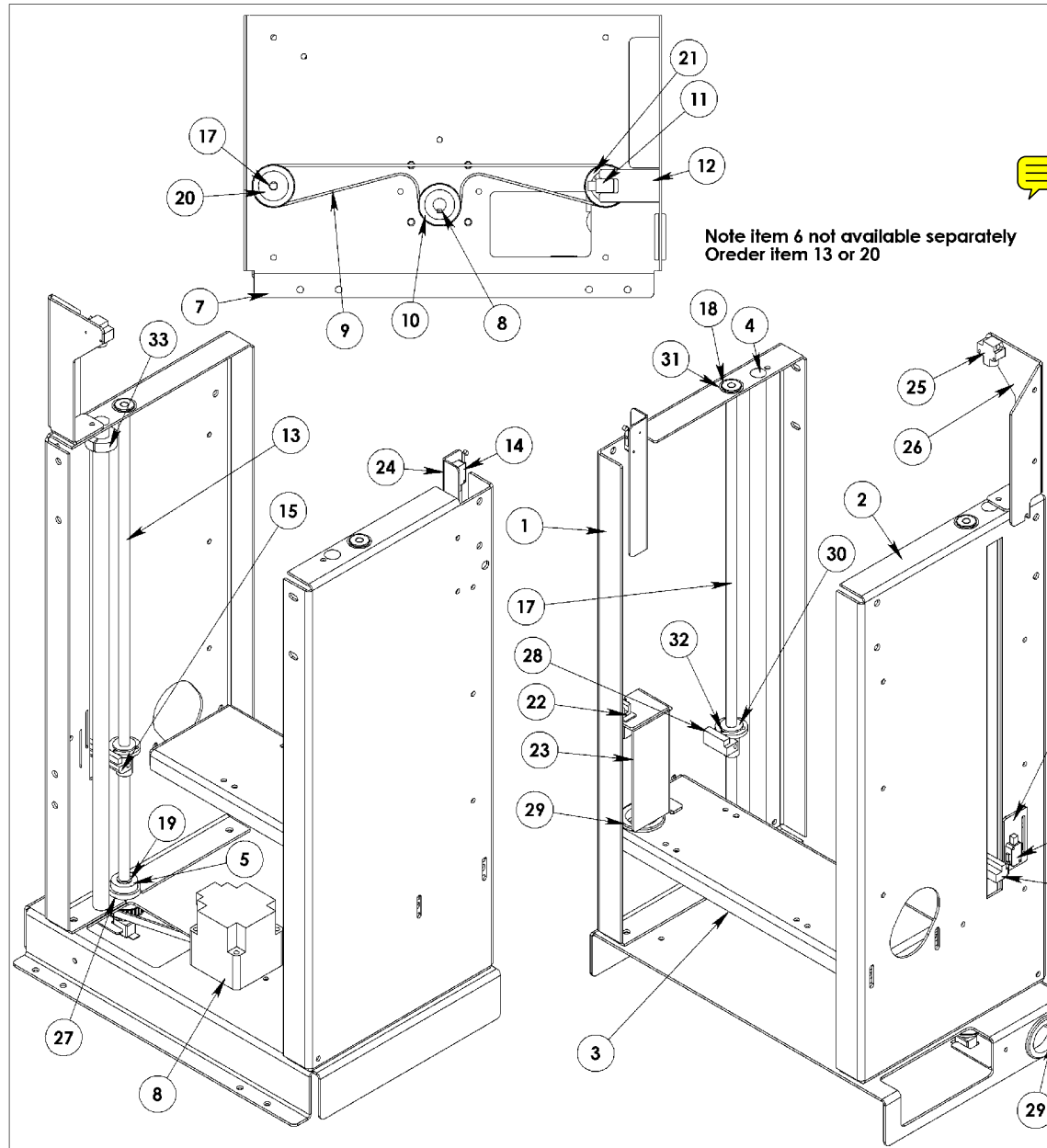
|          |            |   |
|----------|------------|---|
| PR283000 | 7708080    | LEFT SUPPORT STRUT  |
| PR284000 | 7708081    | RIGHT SUPPORT STRUT   |
| PR286010 | 7708082    | ASS KICKER LIFT ARM   |
| PR299000 | 7708084    | DUST COVER  |
| PR300000 | 7708085    | DUST COVER  |
| PRS01L00 | 7708086    | CENTER DECK SUPPORT BRACKET LEFT W/STUDS                                  |
| PRS01R00 | 7708087    | CENTER DECK SUPPORT BRACKET RIGHT W/STUDS                                 |
| PRW05010 | 7708088    | HINGED JOGGER WELDMENT  |
| QFGUIS00 | 7708089    | Graphic User Interface Program  |
| QFPANS00 | 7708090    | Panel Software Program  |
| RD002000 | 7708091    | Roll Door Shaft   |
| RD003000 | 7708092    | Left Roll Door Bearing  |
| RD004000 | 7708093    | Right Roll Door Bearing   |
| RD006000 | 7708094    | Roll Side Guide   |
| RD007000 | 7708095    | Roll Front Guide  |
| RD008002 | 7708096    | Stacker Roll Door Frame   |
| RD009000 | 7708097    | Snail Pulley  |
| RD011000 | 7708098    | Roll Clutch Gear  |
| RD019000 | 7708099    | Bottom Door Slat  |
| RD020000 | 7708100    | Roll Door Sweep   |
| RD021000 | 7708101    | Switch Actuator   |
| RD022000 | 7708102    | Top Door Slat   |
| RD023000 | 7708103    | Tie Rod   |
| RD024000 | 7708104    | Weight  |
| RD025000 | 7708105    | Roll Motor Bracket  |
| RDA05002 | 7708106    | Feeder Roll Door Frame  |
| SK026001 | 7708107    | Manual Stacking Fixture   |
| SK031000 | 7708108    | UI Driver Board   |
| SK050000 | 7708109    | SPACER PLATE  |
| SK051000 | 7708110    | NUT PLATE   |
| SKA02001 | 7708111    | Side Panel  |
| SKA03000 | 7708112    | Door  |
| SKA11000 | 7708113    | Feeder Roll Cover   |
| SKA12000 | 7708114    | Stacker Roll Cover  |
| SKA44000 | 7708115    | UI Box  |
| SKA45001 | 7708116    | Front Lid   |
| SKA46001 | 7708117    | Long Lid  |
| SKA47001 | 7708118    | UI Back Plane   |
| 2WT6558A | 9675006    | 8.5 X 11, 5-up Tab Stock  |
| 2WC70C8A | 9742011G   | 8.5 X 11, 7mm, Clear Cover Stock  |
| 2WCLNB8A | 9742450G   | 8.5 X 11, 16lb, Linen Cover Stock   |
| 2WCRGB8A | 9742491G   | 8.5 X 11 Regency Cover Stock, Black                                       |
| 2W020W8A | 9790006    | SHEET OF COPY PAPER WHITE 8-1/2 X 11, 20# BOND                            |
| 38C1C500 | 9950012    | ONE-PIECE CLAMP STYLE COLLAR STEEL, BLACK FINISH 1/2ID X 1-1/8OD X 13/32W |
| 45WIM003 | 9950046000 | MALE CONNECTOR W/FIXING FLANGES, GREY THERMOPLASTIC 5MM PITCH X 3 POLE    |
| 45wim007 | 9950047000 | MALE CONNECTOR W/FIXING FLANGES, GREY THERMOPLASTIC 5MM PITCH X 7 POLE    |
| 3ZGSS073 | 9950109    | BALL STUD FOR GAS SPRING 10MM BALL, 5/16-18 STUD                          |
| 31NYN120 | 9950257000 | NYLON FLAT WASHER, NARROW RIM NATURAL COLOR 1/4ID X 3/8OD X 1/32THK       |

|          |         |  |
|----------|---------|--|
| 3CRSC8AG | 9950271 | ROUND SPACER STEEL 1/2OD X #10ID X 1L                  |
| 42THD004 | 9950306 | TIE ANCHOR   |
| 45MLX106 | 9950315 | FEMALE QUICK CONNECT INSULATED 14-16 AWG 0.250 X 0.032 |
| PN080000 |         | WASTE BIN SENSOR BRACKET                               |
| PR291030 |         | RIGHT TOP RAIL   |



8.0 PARTS LIST - Quantum P70iX

**This Page Intentionally Blank**

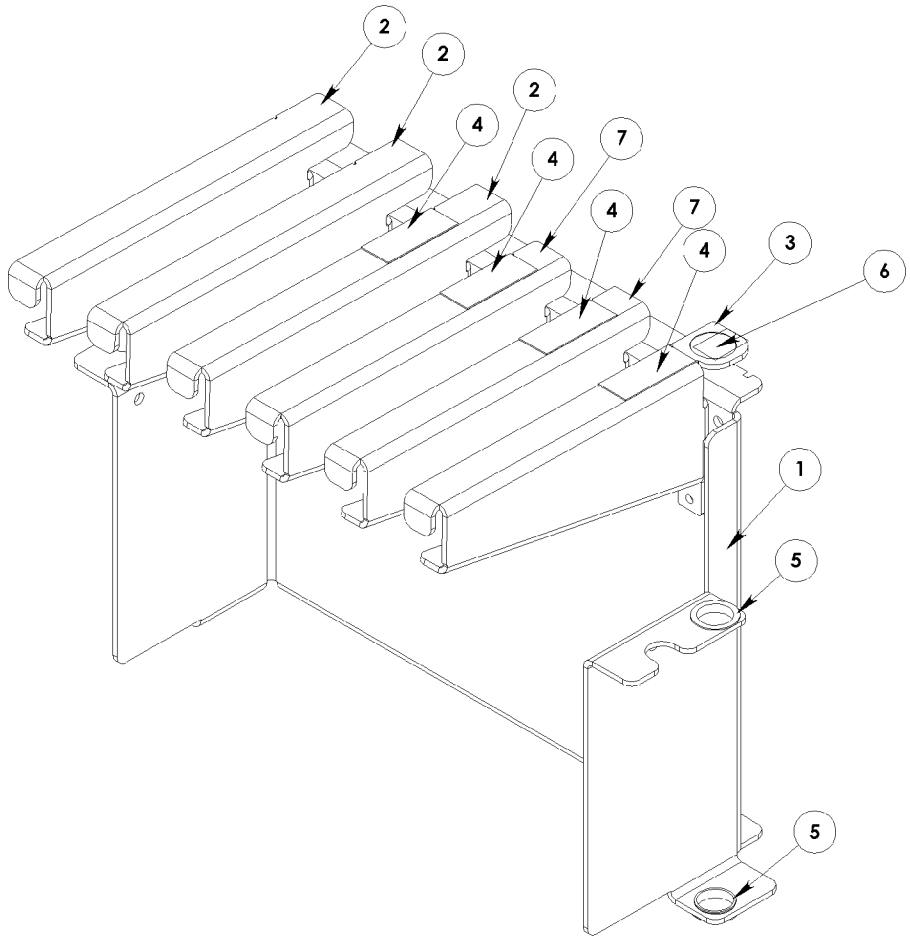


| ITEM NO. | QTY. | PART NO. | DESCRIPTION   |
|----------|------|----------|---|
| 1        | 1    | 7707735  | Left Side Plate   |
| 2        | 1    | 7707734  | Right Side Plate  |
| 3        | 1    | 7707733  | Horizontal Cross Member   |
| 4        | 2    | 7707713  | Linear Guide Shaft  |
| 5        | 2    | 7707542  | Steel Ball Thrust Bearing For 1/2" Shaft Dia, 1-7/32" OD, Shielded  |
| 6        | 2    | 1722919  | Modified Acme Nut   |
| 7        | 1    | 7707736  | Drive Base  |
| 8        | 1    | 1722921  | AC Gear Motor   |
| 9        | 1    | 1722922  | Part Name   |
| 10       | 1    | 7707721  | Drive Pulley  |
| 11       | 1    | 7707482  | Optical Rotary Encoder  |
| 12       | 1    | 7707715  | Encoder Stay  |
| 13       | 1    | 7707552  | Clamp Lift Screw  |
| 14       | 2    | 7707507  | SHORT ROLLER BAT SWITCH   |
| 15       | 1    | 7707717  | Right Nut Stay  |
| 16       | 1    | 7707718  | Limit Switch Bracket  |
| 17       | 1    | 7707551  | Plain Lift Screw  |
| 18       | 4    | 7707510  | 3/8 ID X 7/8 OD FLANGED RADIAL BALL BEARING                         |
| 19       | 2    | 1723088  | OIL IMP BRG SIN BRONZE 3/8 ID X 1/2 OD X 1/4 L                      |
| 20       | 1    | 7707687  | Al 30XL037 Pulley   |
| 21       | 1    | 7707549  | 30XL037 Clamp style timing pulley                                   |
| 22       | 1    | 7707459  | Line Interupt Interlock Switch                                      |
| 23       | 1    | 7707714  | Interlock Bracket   |
| 24       | 1    | 7707722  | Roll Door Up Sw Bracket   |
| 25       | 1    | 1722924  | Photoelectric sensor  |
| 26       | 1    | 7707725  | Paper Out Bracket   |
| 27       | 2    | 7707727  | Thrust Cup  |
| 28       | 1    | 7707716  | Left Nut Stay   |
| 29       | 2    | 7707675  | Military Spec Rubber Grommet  |
| 30       | 2    | 7707431  | CUSHIONING WASHER PURE-RUBBER                                       |
| 31       | 2    | 1722925  | External Self-Locking Retaining Ring For 7/8" Shaft Dia. 1.203" OD. |
| 32       | 2    | 7707441  | Coiled Spring Pin, Carbon Steel                                     |
| 33       | 1    | 7707635  | One-Piece Aluminum Clamp-On Collar 3/4" Bore, 1-1/2" OD             |

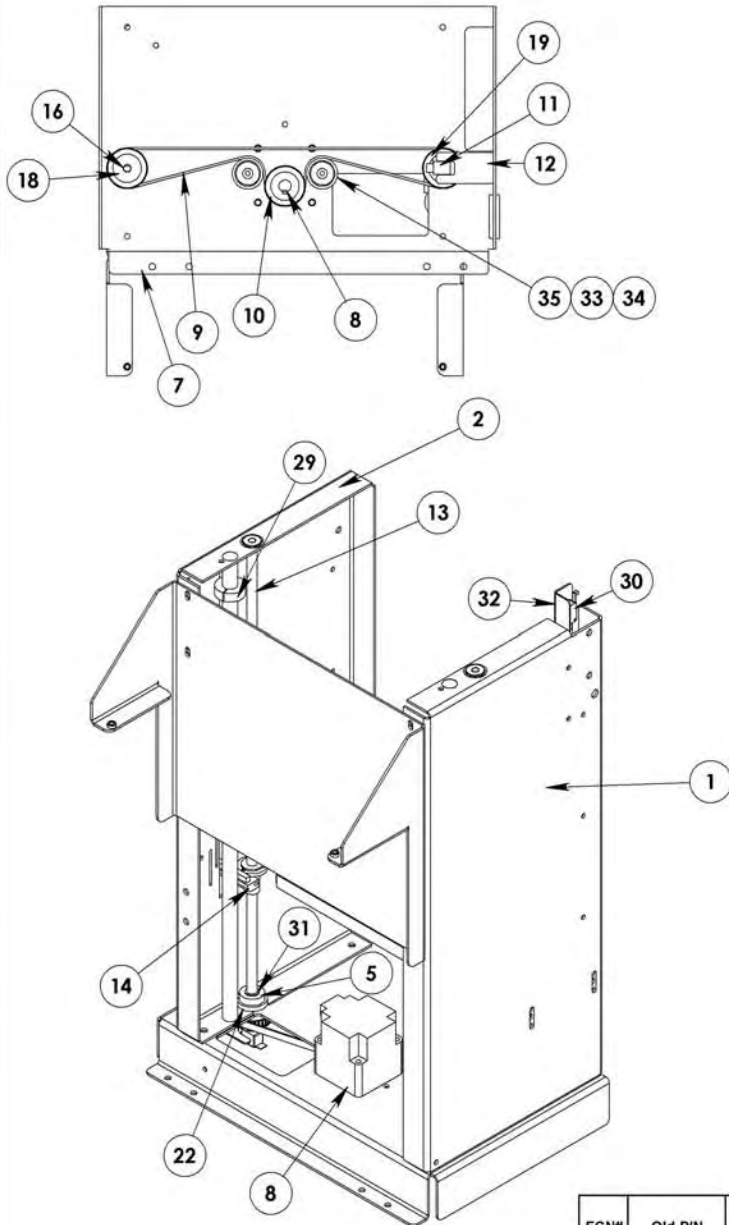
| ECN# | Old P/N  | Old Rev | New P/N  | New Rev | Change Descriptions   | Date      | By  |
|------|----------|---------|----------|---------|-----------------------|-----------|-----|
| 3582 | BES01F00 | 0       | BES01F00 | 1       | 60HGF68C was 60BSF684 | 08-Nov-04 | KAJ |

|  |     |              |                      |
|--|-----|--------------|----------------------|
| TOLERANCES: X.XXXXX ±0.0005; X.XXX ±0.005; X.XX ±0.016; X/X ±1/32; ANGLES ±1/2°  |     | SHEET 1 OF 1 |                      |
| MACHINE FINISH 63; BREAK ALL EDGES TO 0.01R MAX; THREADS—CLASS 2B; GEO TOL—ASME Y 14.5   |     | REV 1        |                      |
| THIS DOCUMENT IS PROPERTY OF ASTERISK INC. IT IS DELIVERED ON THE CONDITION IT ONLY BE USED FOR THE BENEFIT OF ASTERISK. NO OTHER RIGHT IS GRANTED TO USE OR DISCLOSE THE INFORMATION IT CONTAINS. |     |              |                      |
| ENG  | HOT | CONTROL DATE | 4/16/2003 3:07:30 PM |
| TITLE  |     | FEEDER FRAME |                      |
| as.ter.isk*  |     | ITEM #       | BES01F00             |
| www.asteriskinc.com  |     | REV 1        |                      |
| 4 Business Park Rd Old Saybrook CT 06475 860.388.3811  |     |              |                      |

| ITEM NO. | QTY. | PART NO. | DESCRIPTION  |
|----------|------|----------|--|
| 1        | 1    | 7707704  | Trolley  |
| 2        | 3    | 7707707  | Feeder Platform  |
| 3        | 1    | 7707726  | Feeder Platform One  |
| 4        | 4    | 1722926  | 8981K11  |
| 5        | 4    | 7707487  | SNAP IN NYLINER BEARING NYLON 0.375 ID X 0.437 OD X 0.140L |
| 6        | 1    | 1722927  | CORNER CUBE REFLETOR                                       |
| 7        | 2    | 7707730  | Feeder Platform, 2+3                                       |



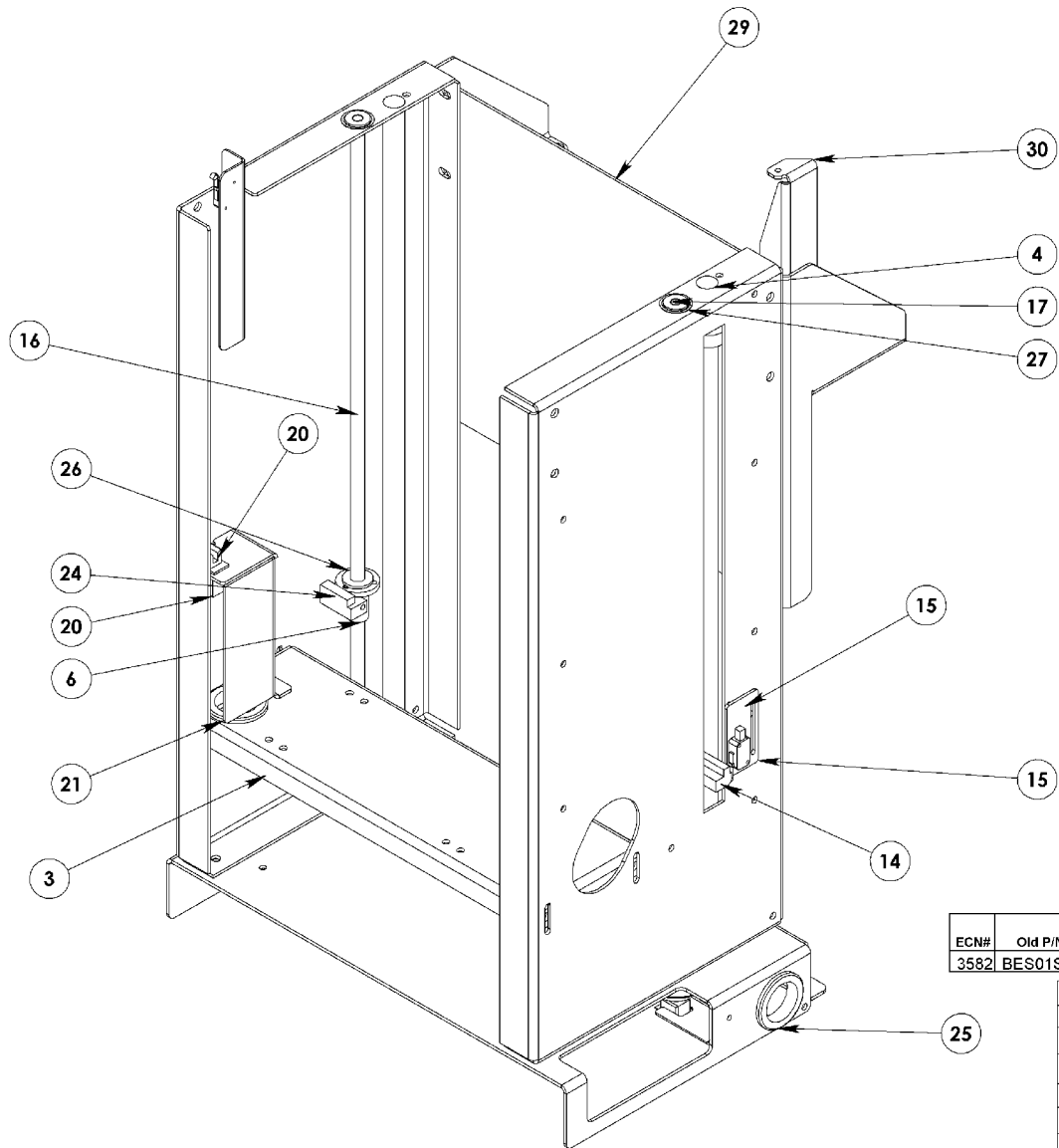
|        |                 |     |   |    |   |
|--------|-----------------|-----|---|----|---|
| TITLE  | FEEDER PLATFORM | SHT | 1 | OF | 1 |
| ITEM # | BES02F00        | REV | 0 |    |   |



| ITEM NO. | PART NUMBER | QTY. | DESCRIPTION   |
|----------|-------------|------|---|
| 1        | 7707735     | 1    | Left Side Plate   |
| 2        | 7707734     | 1    | Right Side Plate  |
| 3        | 7707733     | 1    | Horizontal Cross Member   |
| 4        | 7707713     | 2    | Linear Guide Shaft  |
| 5        | 7707542     | 2    | Steel Ball Thrust Bearing For 1/2" Shaft Dia, 1-7/32" OD, Shielded                  |
| 6        | 1723115     | 2    | Modified Acme Nut   |
| 7        | 7707736     | 1    | Drive Base  |
| 8        | 1722921     | 1    | AC Gear Motor   |
| 9        | 7707491     | 1    | Timing Belt NEO 400XL037  |
| 10       | 7707721     | 1    | Drive Pulley  |
| 11       | 7707482     | 1    | Rotary Optical Encoder  |
| 12       | 7707715     | 1    | Encoder Stay  |
| 13       | 7707552     | 1    | Clamp Lift Screw  |
| 14       | 7707717     | 1    | Right Nut Stay  |
| 15       | 7707718     | 1    | Limit Switch Bracket  |
| 16       | 7707551     | 1    | Plain Lift Screw  |
| 17       | 7707510     | 4    | 3/8 ID X 7/8 OD FLANGED RADIAL BALL BEARING   |
| 18       | 7707687     | 1    | AI 30XL037 Pulley   |
| 19       | 7707549     | 1    | 30XL037 Clamp style timing pulley   |
| 20       | 7707459     | 1    | Line Interrupt Interlock Switch   |
| 21       | 7707714     | 1    | Interlock Bracket   |
| 22       | 7707727     | 2    | Thrust Cup  |
| 23       | 7707716     | 1    | Right Nut Stay  |
| 24       | 7707675     | 2    | Military Spec Rubber Grommet MS 35489 No. 56 An931, No. A24-28                      |
| 25       | 7707431     | 2    | CUSHIONING WASHER PURE-RUBBER 1/2, 0.490ID X 1.062OD X 0.093THK                     |
| 26       | 1722925     | 2    | External Self-Locking Retaining Ring For 7/8" Shaft Dia, 1.203" OD, .054" Thickness |
| 27       | 7707441     | 2    | Coiled Spring Pin, Carbon Steel   |
| 28       | 7707752     | 1    | Stacker Back Stop   |
| 29       | 7707728     | 1    | One-Piece Aluminum Clamp-On Collar 3/4" Bore, 1-1/2" Outside Diameter, 1/2" Width   |
| 30       | 7707507     | 2    | SHORT ROLLER BAT SWITCH   |
| 31       | 1723088     | 2    | OIL IMP BRG SIN BRONZE 3/8ID X 1/2OD X 1/4L FLANGE BEARING                          |
| 32       | 7707722     | 1    | Roll Door Up Sw Bracket   |
| 33       | 9950271000  | 2    | ROUND SPACER #10 X 1/2OD X 1.0L   |
| 34       | 7707511     | 4    | Radial Ball Bearing   |
| 35       | 7707719     | 2    | Idler Ring  |

|   |               |                                    |
|---|---------------|------------------------------------|
| FINISH:   | SCALE:        | 1:6                                |
| MATERIAL:   | See BOM       |                                    |
| TOLERANCES: X.XXXXX ±0.0005; X.XXX ±0.005; X.XX ±0.015; X/X ±1/32; ANGLES ±1/2"   |               |                                    |
| MACHINE FINISH A3; BREAK ALL EDGES TO 0.01R MAX; THREADS=CLASS 2B; GEO TOI=ASME Y 14.5  |               |                                    |
| THIS DOCUMENT IS PROPERTY OF ASTERISK, INC. IT IS DELIVERED ON THE CONDITION IT ONLY BE USED FOR THE BENEFIT OF ASTERISK. NO OTHER RIGHT IS GRANTED TO USE OR DISCLOSE THE INFORMATION IT CONTAINS. |               |                                    |
| ENG:  | HOT           | CONTROL DATE: 4/16/2003 4:08:08 PM |
| TITLE:  | STACKER FRAME | SHT 1 OF 2                         |
| as.ter.isk* www.asteriskinc.com   |               | REV # 1                            |
| 4 Business Park Rd Old Saybrook CT 06475 860.388.3811   |               | BES01S00                           |

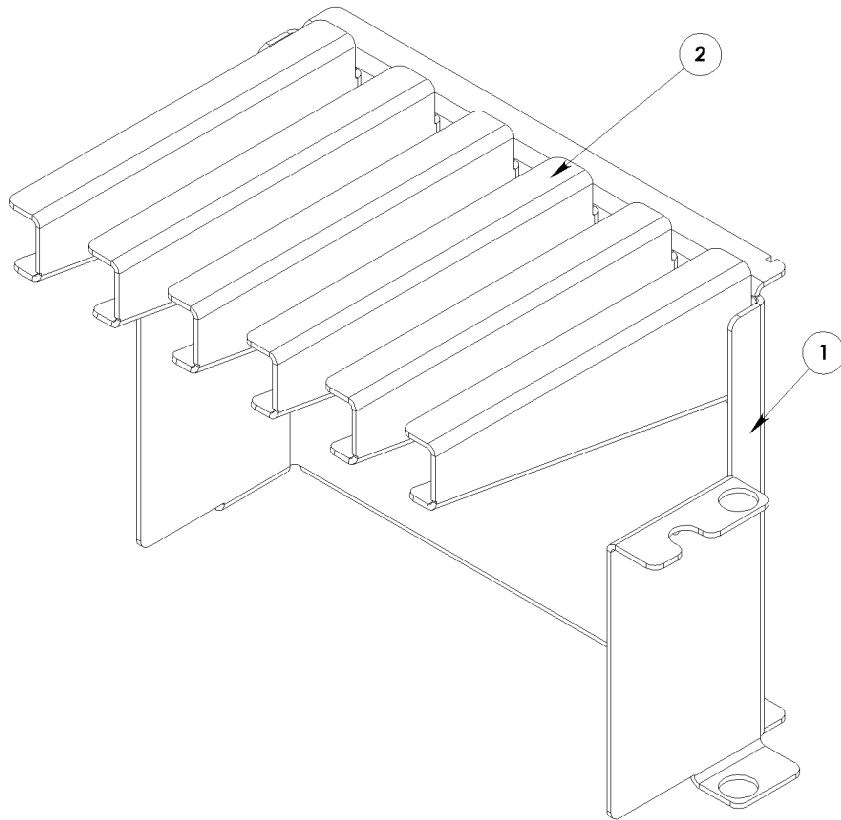
| ECN# | Old P/N  | Old Rev | New P/N  | New Rev | Change Descriptions   | Date      | By  |
|------|----------|---------|----------|---------|-----------------------|-----------|-----|
| 3582 | BES01S00 | 0       | BES01S00 | 1       | 60HGF68C was 60BSF684 | 08-Nov-04 | KAJ |



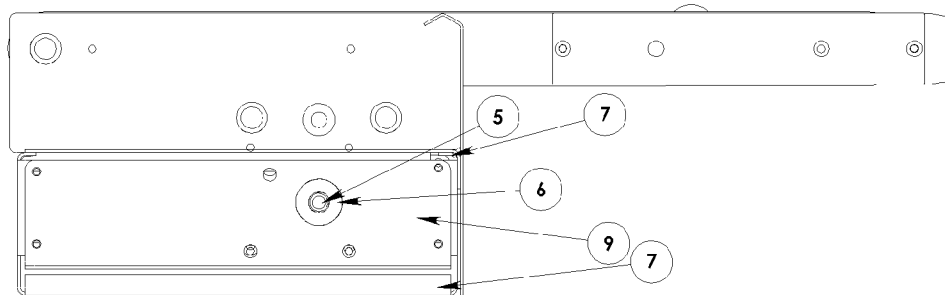
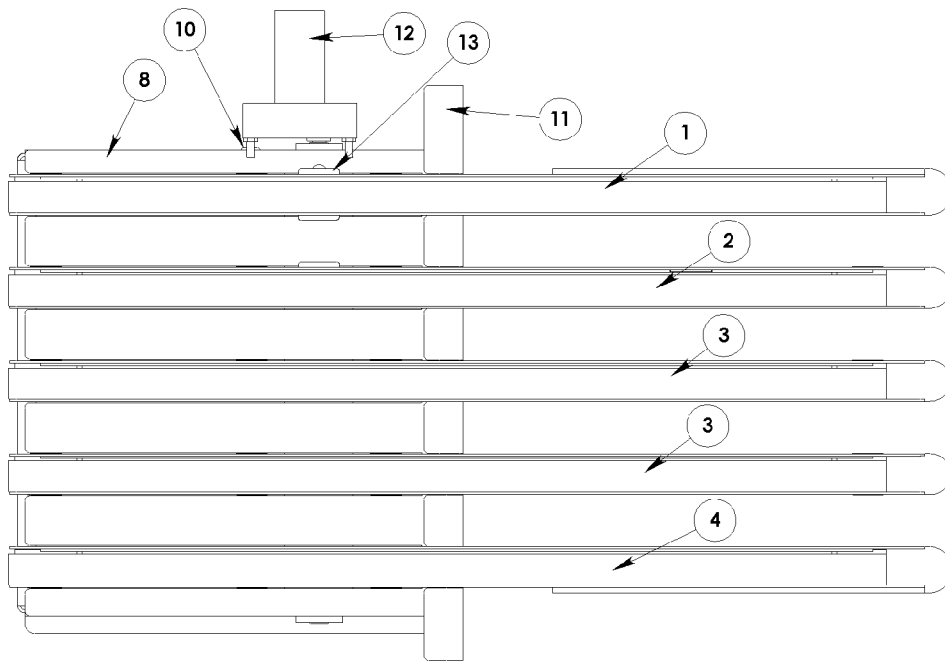
| ECN# | Old P/N  | Old Rev | New P/N  | New Rev | Change Descriptions   | Date      | By  |
|------|----------|---------|----------|---------|-----------------------|-----------|-----|
| 3582 | BES01S00 | 0       | BES01S00 | 1       | 60HGF68C was 60BSF684 | 08-Nov-04 | KAJ |

|  |     |              |                      |
|--|-----|--------------|----------------------|
| TITLE  |     | SCALE        |                      |
| See BOM  |     | 1:4          |                      |
| TOLERANCES: X.XXXX ±0.0005; X.XXX ±0.005; X.XX ±0.015; X/X ±1/32; ANGLES ±1/2°<br>MACHINE FINISH 63; BREAK ALL EDGES TO 0.01R MAX; THREADS-CLASS 2B; GEO TOL-ASME Y 14.5                           |     |              |                      |
| THIS DOCUMENT IS PROPERTY OF ASTERISK INC. IT IS DELIVERED ON THE CONDITION IT ONLY BE USED FOR THE BENEFIT OF ASTERISK. NO OTHER RIGHT IS GRANTED TO USE OR DISCLOSE THE INFORMATION IT CONTAINS. |     |              |                      |
| ENG  | HOT | CONTROL DATE | 4/16/2003 4:08:08 PM |
| TITLE  |     | SHT          | OF                   |
| BE Stacker Frame   |     | 2            | 2                    |
| www.asterisk.com   |     | REV          |                      |
| 4 Business Park Rd Old Saybrook CT 06475 860.388.3811  |     | BES01S00     | 1                    |

| ITEM NO. | QTY | PART NO | DESCRIPTION       |
|----------|-----|---------|-------------------|
| 1        | 1   | 7707704 | Trolley           |
| 2        | 6   | 7707723 | Stacker Platform  |
| 3        | 1   | 7707752 | Stacker Back Stop |

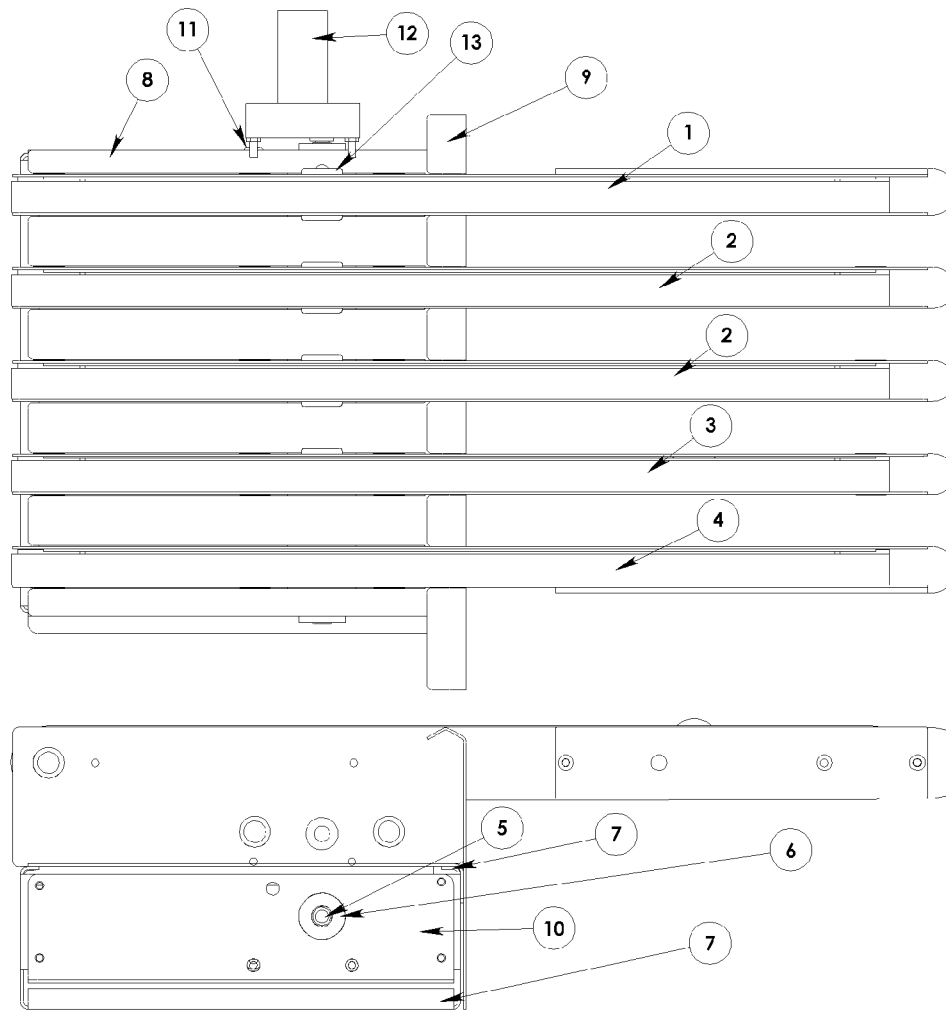


|        |                  |     |   |    |   |
|--------|------------------|-----|---|----|---|
| TITLE  | STACKER PLATFORM | SHT | 1 | OF | 1 |
| ITEM # | BES02S00         | REV |   |    |   |



| ITEM NO. | QTY. | PART NO. | DESCRIPTION  |
|----------|------|----------|--|
| 1        | 1    | 1722928  | Belt Finger#1  |
| 2        | 1    | 1722929  | Belt Finger#2  |
| 3        | 2    | 1722930  | Belt Finger#3+4  |
| 4        | 1    | 1722931  | Belt Finger#5  |
| 5        | 1    | 7707705  | Timing Shaft   |
| 6        | 2    | 1771425  | Radial Ball Bearing  |
| 7        | 1    | 7707706  | Conveyor Frame   |
| 8        | 1    | 7707708  | Conveyor Clamp   |
| 9        | 2    | 7707710  | Bearing Bracket  |
| 10       | 1    | 7707673  | Military SPec Rubber Grommet MS 35489 No. 91 An931, No. C3-5 |
| 11       | 1    | 7707724  | Conveyor Front Cover   |
| 12       | 1    | 1722932  | 24 VOLT DC GEARMOTOR 25 RPM 50 IN-LB                         |
| 13       | 3    | 7707671  | Military SPec Rubber Grommet MS 35489 No. 35 An931, No. A4-7 |

|        |                   |     |   |    |   |
|--------|-------------------|-----|---|----|---|
| TITLE  | FEEDER BELT ARRAY | SHT | 1 | OF | 1 |
| ITEM # | BES03F00          | REV | 0 |    |   |

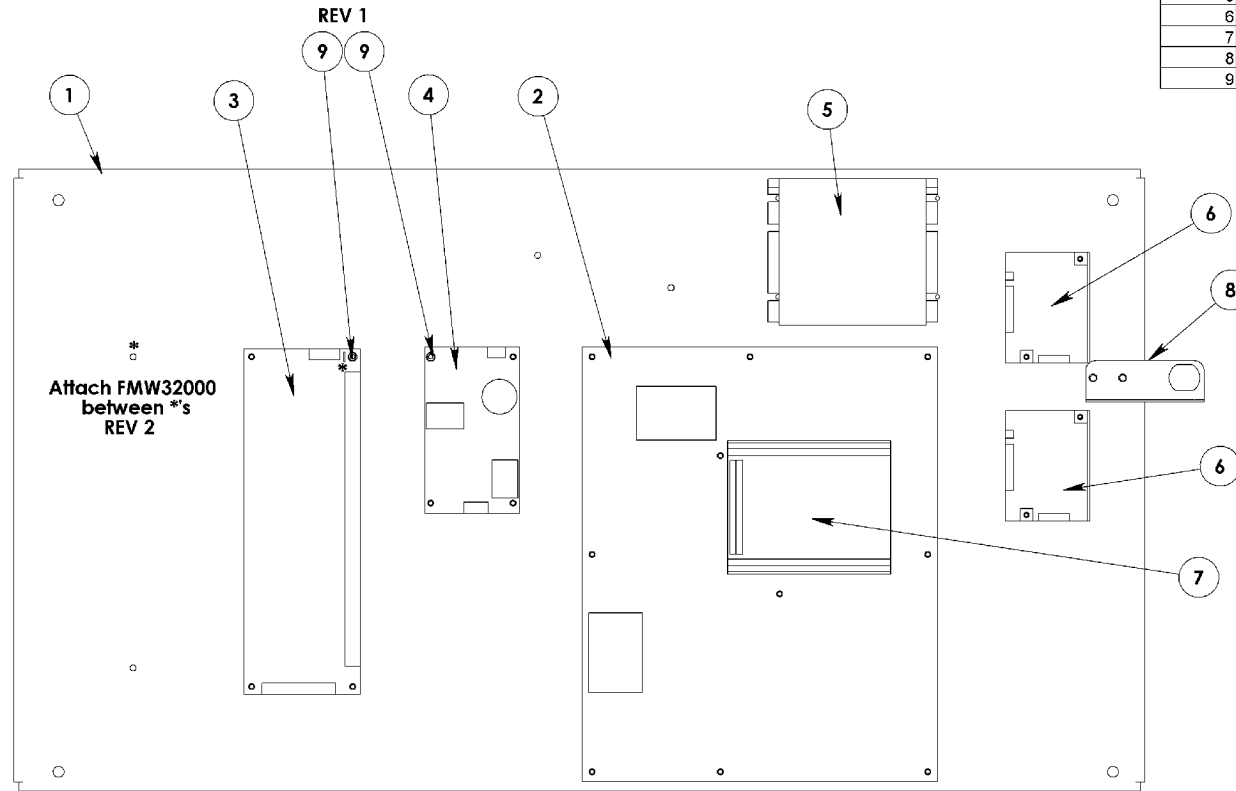


| ITEM NO. | QTY. | PART NO. | DESCRIPTION  |
|----------|------|----------|--|
| 1        | 1    | 1722928  | Belt Finger#1  |
| 2        | 2    | 1722930  | Belt Finger#3+4  |
| 3        | 1    | 1722929  | Belt Finger#2  |
| 4        | 1    | 1722931  | Belt Finger#5  |
| 5        | 1    | 7707705  | Timing Shaft   |
| 6        | 2    | 1771425  | Radial Ball Bearing  |
| 7        | 1    | 7707706  | Conveyor Frame   |
| 8        | 1    | 7707708  | Conveyor Clamp   |
| 9        | 1    | 7707709  | Coveyor Front Cover  |
| 10       | 2    | 7707710  | Bearing Bracket  |
| 11       | 1    | 7707673  | Military SPec Rubber Grommet MS 35469 No. 91 An931, No. C3-5 |
| 12       | 1    | 1722932  | 24 VOLT DC GEARMOTOR 25 RPM 50 IN-LB                         |
| 13       | 7    | 7707671  | Military SPec Rubber Grommet MS 35469 No. 35 An931, No. A4-7 |

|        |                    |     |   |    |   |
|--------|--------------------|-----|---|----|---|
| TITLE  | STACKER BELT ARRAY | SHT | 1 | OF | 1 |
| ITEM # | BES03S00           | REV | 0 |    |   |



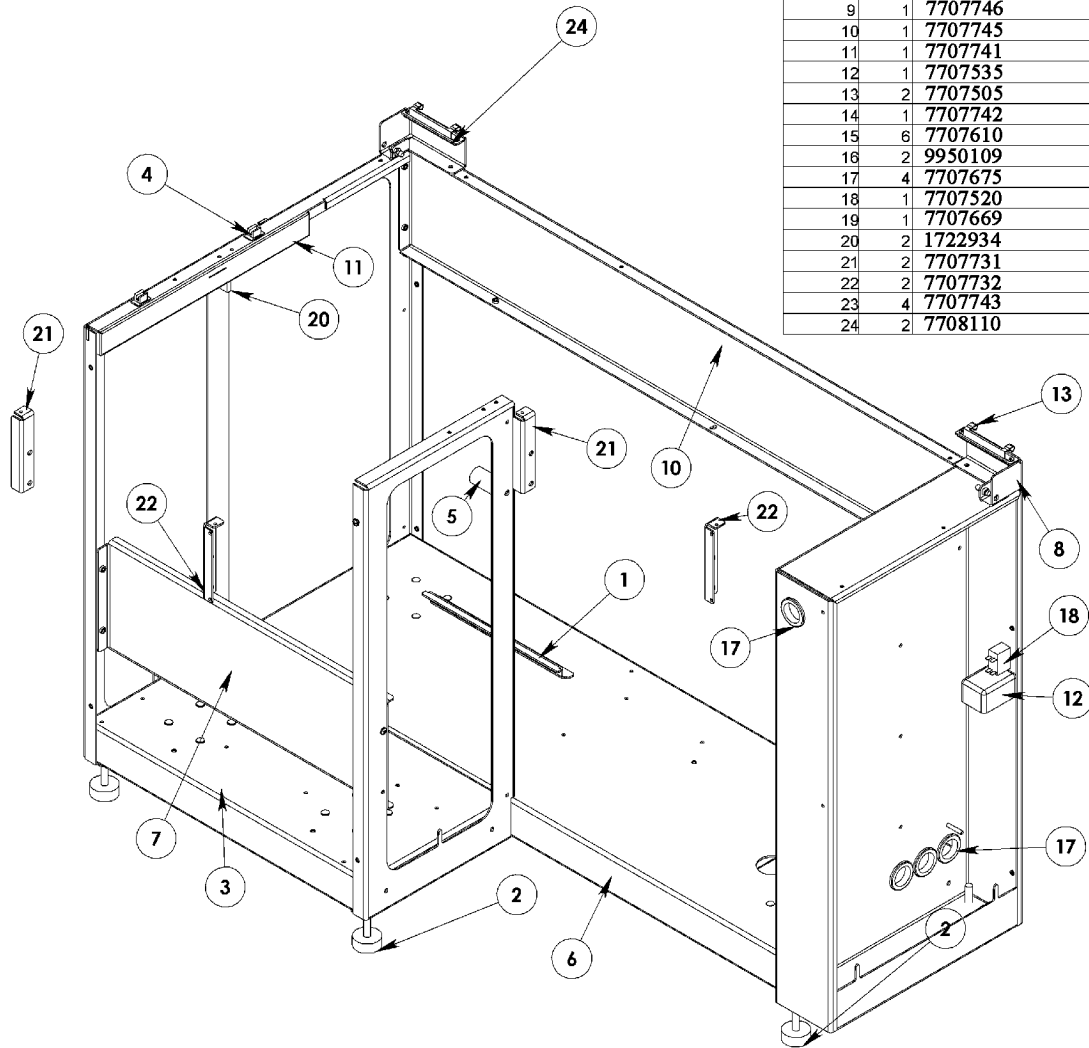
| ITEM NO. | QTY. | PART NO. | DESCRIPTION                       |
|----------|------|----------|-----------------------------------|
| 1        | 1    | 7707744  | Electrical Panel                  |
| 2        | 1    | 7707553  | Main I/O Board                    |
| 3        | 1    | 7707524  | 24-Volt Power Supply              |
| 4        | 1    | 7707525  | 5-Volt Power Supply               |
| 5        | 1    | 7707530  | DC Motor Controller, Regenerative |
| 6        | 2    | 7707531  | Brushless DC Motor Driver         |
| 7        | 1    | 7707533  | Computer Board                    |
| 8        | 1    | 7707742  | Strian Relief Bracket             |
| 9        | 2    | 1730417  | SHCS SS #6-32 X 7/16              |



| ECN# | Old P/N  | Old Rev | New P/N  | New Rev | Change Descriptions  | Date      | By  |
|------|----------|---------|----------|---------|--|-----------|-----|
| 3584 | ELS01000 | 1       | ELS01000 | 2       | 4YCZWPC5 was incorrectly labeled   | 08-Nov-04 | KAJ |
| 3572 | ELS01000 | 0       | ELS01000 | 1       | Added 2 32SHSC44's to specific locations for grounding purposes.             | 10-Aug-04 | KAJ |
| 3572 | ELS01000 | 1       | ELS01000 | 2       | Added FMW32000 Groundwire between grounding lug on 24V pwr supply and panel. | 10-Aug-04 | KAJ |

| TITLE  |     | SHT          | OF                   |
|--|-----|--------------|----------------------|
| See BOM  |     | 1            | 1                    |
| TOLERANCES: X.XXXX ±0.0005; X.XXX ±0.005; X.XX ±0.015; X/X ±1/32; ANGLES ±1/2°<br>MACHINE FINISH 63; BREAK ALL EDGES TO 0.01R MAX; THREADS—CLASS 2B; GEO TOL—ASME Y 14.5                           |     |              |                      |
| THIS DOCUMENT IS PROPERTY OF ASTERISK INC. IT IS DELIVERED ON THE CONDITION IT ONLY BE USED FOR THE BENEFIT OF ASTERISK. NO OTHER RIGHT IS GRANTED TO USE OR DISCLOSE THE INFORMATION IT CONTAINS. |     |              |                      |
| ENG  | HOT | CONTROL DATE | 4/16/2003 1:15:51 PM |
| TITLE  |     | SHT          | OF                   |
| ELECTRICAL PANEL   |     | 1            | 1                    |
| as.ter.isk*  |     | ITEM #       | REV                  |
| www.asteriskinc.com  |     | ELS01000     | 2                    |
| 4 Business Park Rd Old Saybrook CT 06475 860.388.3811  |     |              |                      |

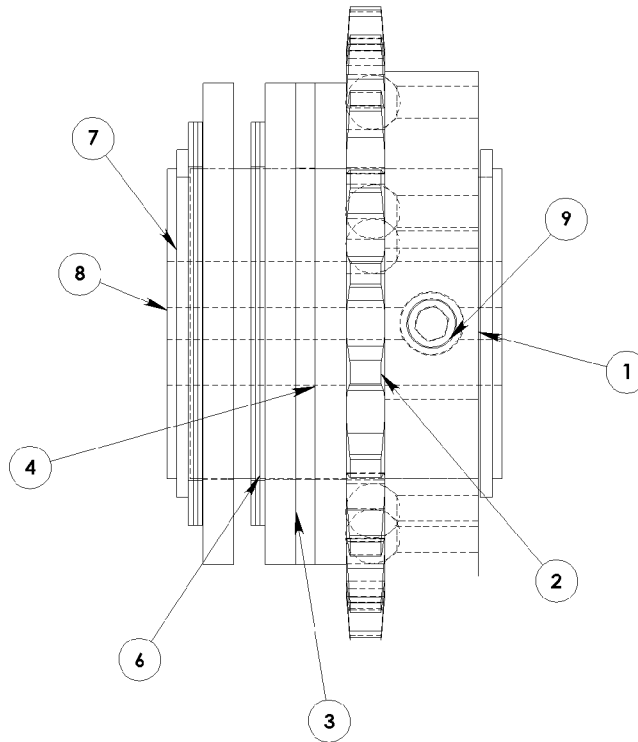
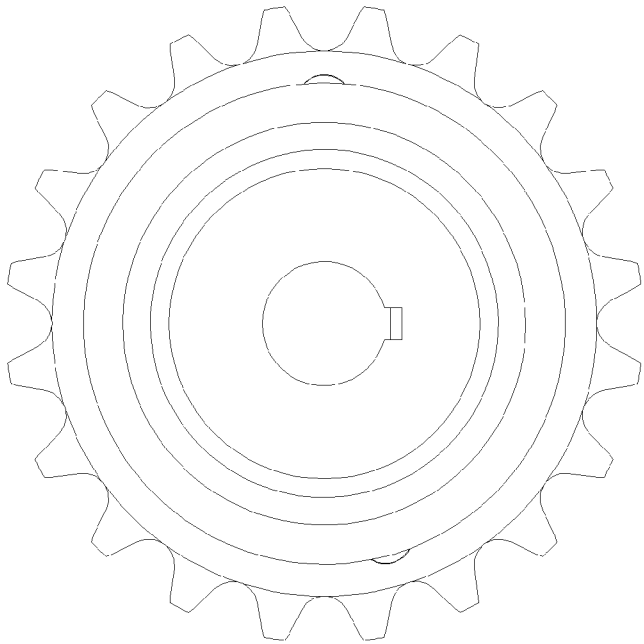
| ITEM NO | QTY | PART NO. | DESCRIPTION   |
|---------|-----|----------|---|
| 1       | 2   | 7707737  | PN Clamp  |
| 2       | 5   | 7707506  | LEVELING MOUNT, ZINC PLATED STEEL, ELASTOMER RUBBER, 1/2-13 X 3", 1.97" BASE DIAMETER |
| 3       | 4   | 7707650  | Swivel Castor   |
| 4       | 3   | 7707459  | Line Interrupt Interlock Switch   |
| 5       | 1   | 7707740  | PR Spacer   |
| 6       | 1   | 7707751  | Frame Weldment  |
| 7       | 1   | 7707748  | Front Strut   |
| 8       | 1   | 7707747  | Right Back Hinge Bracket  |
| 9       | 1   | 7707746  | Left Back Hinge Bracket   |
| 10      | 1   | 7707745  | Back Strut  |
| 11      | 1   | 7707741  | Interlock Cover   |
| 12      | 1   | 7707535  | Power Inlet/Filter  |
| 13      | 2   | 7707505  | Concealed QD Hinge  |
| 14      | 1   | 7707742  | Strain Relief Bracket   |
| 15      | 6   | 7707610  | Pan Head Phil Mach Scrw w/Ext Wash 1/4-20 X 0.5                                       |
| 16      | 2   | 9950109  | Ball Stud For Gas Spring 10mm X 5/16-18   |
| 17      | 4   | 7707675  | Military Spec Rubber Grommet MS 35489 No. 56 An931, No. A24-28                        |
| 18      | 1   | 7707520  | Circuit Breaker, Rocker Actuated, 2-Pole  |
| 19      | 1   | 7707669  | Strain Relief Bushin  |
| 20      | 2   | 1722934  | Snap-In Style Magnetic Catch  |
| 21      | 2   | 7707731  | Left Tie Bracket  |
| 22      | 2   | 7707732  | Right Tie Bracket   |
| 23      | 4   | 7707743  | CASTER SPACER   |
| 24      | 2   | 7708110  | Nut Plate   |



|        |            |     |   |    |   |
|--------|------------|-----|---|----|---|
| TITLE  | MAIN FRAME | SHT | 1 | OF | 1 |
| ITEM # | FMS01000   | REV | 0 |    |   |

NOTE : PART LIST IS FOR REFERENCE ONLY  
 CLUTCH IS ONLY AVAILABLE AS SPARE AS  
 ASSEMBLY PART NUMBER 7707570

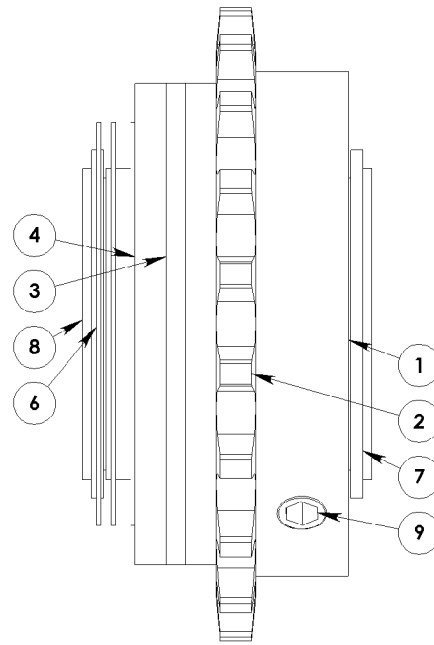
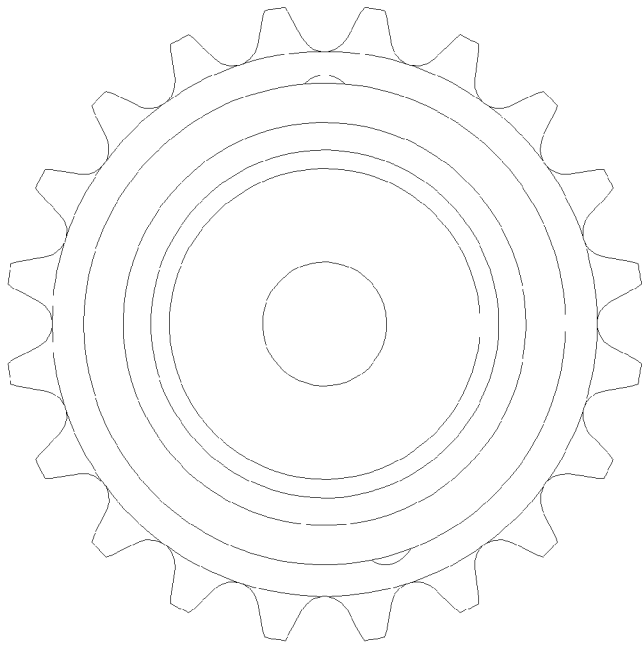
| ITEM NO. | QTY. | PART NO. | DESCRIPTION   |
|----------|------|----------|---|
| 1        | 1    | 7707860  | DISK  |
| 2        | 1    | 1722935  | CLUTCH SPROCKET 20T #35 ROLLER CHAIN                                |
| 3        | 1    | 7707683  | CAGE ASSY FOR THRUST ROLLER BEARING 1.250 ID X 1.94 OD X 5/64 THICK |
| 4        | 3    | 7707499  | 1.250 ID X 1.94 OD X 1/8 THICK THRUST BEARING WASHER                |
| 5        | 5    | 7707652  | CHROME STEEL BALL 7/32 DIA PRECISION GRADE                          |
| 6        | 6    | 7707463  | WAVE DISK SPRING 1.261ID X 1.621 OD X 0.0185THK 18LB @ 0.0185DEF    |
| 7        | 2    | 7707468  | EXTERNAL SPIRAL RETAINING RING 1 1/4 SHAFT                          |
| 8        | 1    | 7707861  | HUB   |
| 9        | 1    | 7707627  | CPSSS 1/4-20 X 3/4  |

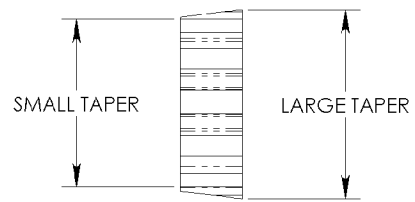


|        |                              |     |   |    |   |
|--------|------------------------------|-----|---|----|---|
| TITLE  | CHAIN OVERLOAD CLUTCH STRONG | SHT | 1 | OF | 1 |
| ITEM # | ISS060S0                     | REV | 0 |    |   |

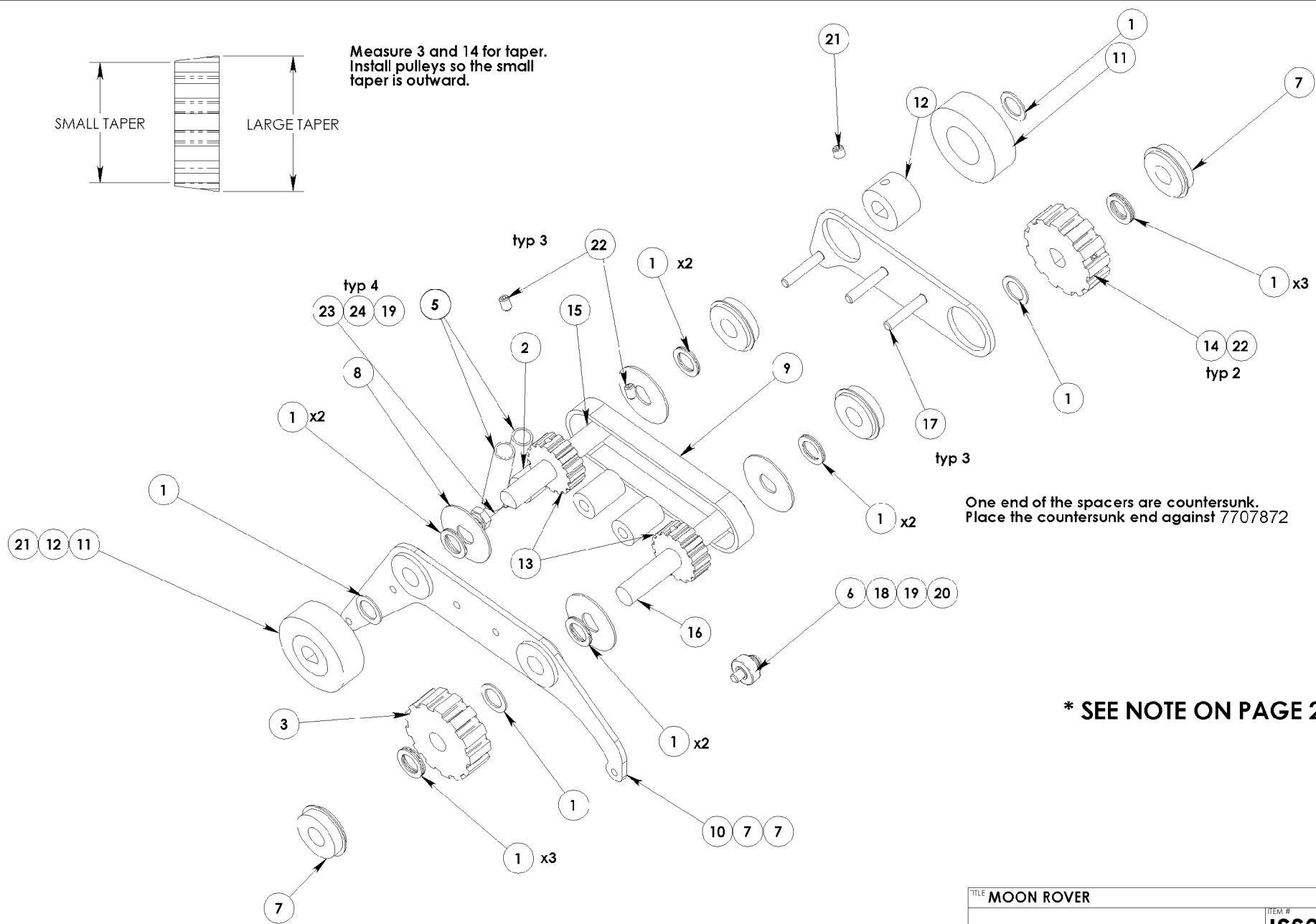
NOTE : PART LIST IS FOR REFERENCE ONLY  
 CLUTCH IS ONLY AVAILABLE AS SPARE AS  
 ASSEMBLY PART NUMBER 7707571

| ITEM NO. | QTY. | PART NO. | DESCRIPTION   |
|----------|------|----------|---|
| 1        | 1    | 7707860  | DISK  |
| 2        | 1    | 1722935  | CLUTCH SPROCKET 20T #35 ROLLER CHAIN                                |
| 3        | 1    | 7707682  | CAGE ASSY FOR THRUST ROLLER BEARING 1.250 ID X 1.94 OD X 5/64 THICK |
| 4        | 2    | 7707499  | 1.250 ID X 1.94 OD X 1/8 THICK THRUST BEARING WASHER                |
| 5        | 5    | 7707652  | CHROME STEEL BALL 7/32 DIA PRECISION GRADE                          |
| 6        | 3    | 7707463  | WAVE DISK SPRING 1.261ID X 1.621 OD X 0.0185THK 18LB @ 0.0185DEF    |
| 7        | 2    | 7707468  | EXTERNAL SPIRAL RETAINING RING 1 1/4 SHAFT                          |
| 8        | 1    | 7707863  | HUB   |
| 9        | 1    | 7707627  | CPSSS 1/4-20 X 3/4  |





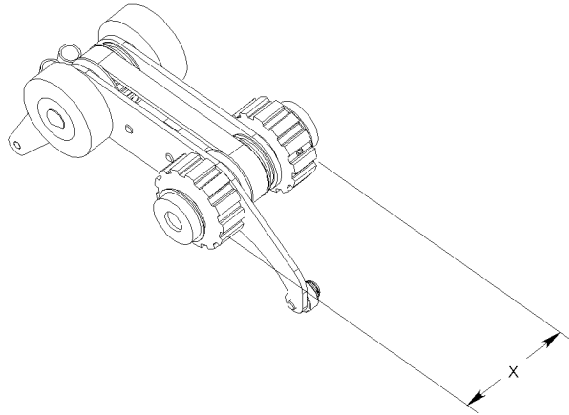
Measure 3 and 14 for taper.  
Install pulleys so the small  
taper is outward.



One end of the spacers are countersunk.  
Place the countersunk end against 7707872

**\* SEE NOTE ON PAGE 2 \***

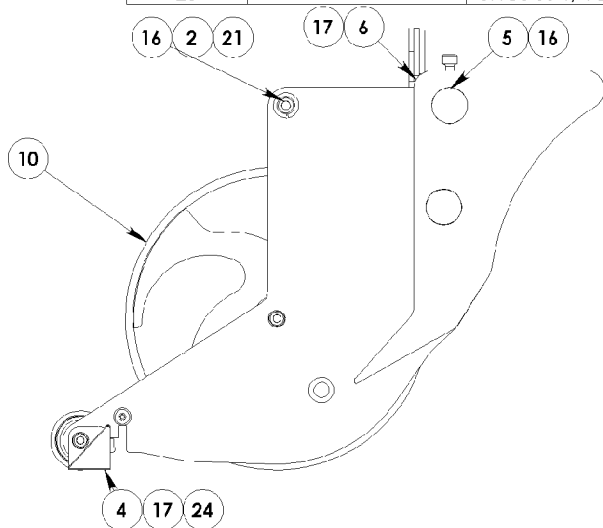
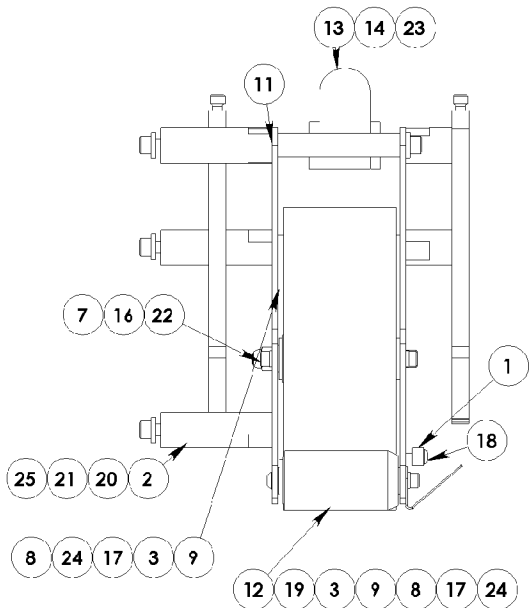
|        |            |     |   |    |   |
|--------|------------|-----|---|----|---|
| TITLE  | MOON ROVER | SHT | 1 | OF | 2 |
| ITEM # | ISS07000   | REV | 0 |    |   |



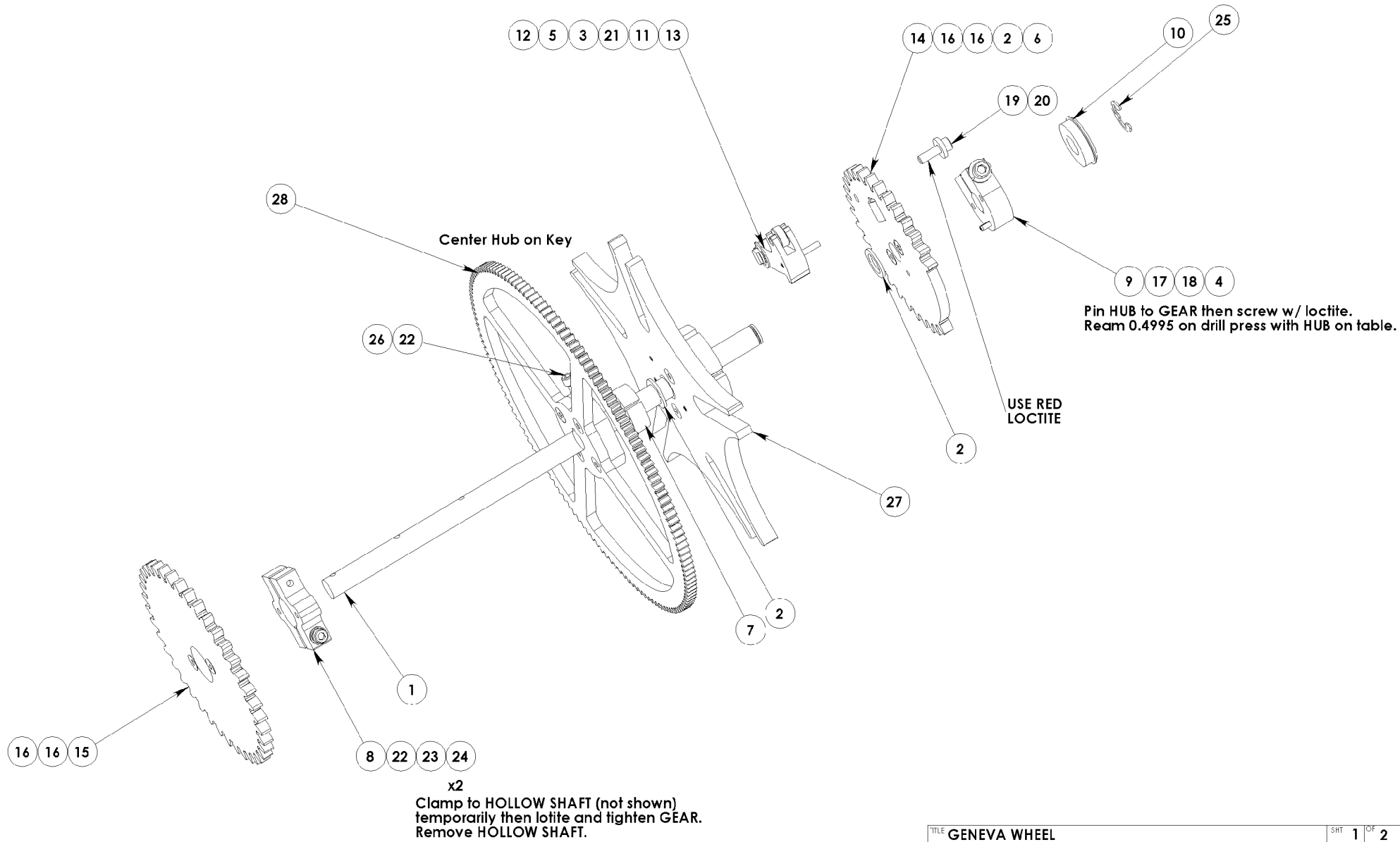
If X is greater than 2.244 remove one shim from EACH group of 3 shims. Group of 3 shims are between the outer bearing and large pulley.

| ITEM NO. | QTY. | PART NO. | DESCRIPTION  |
|----------|------|----------|--|
| 1        | 18   | 7707432  | STEEL ADJUSTING SHIM 3/8 ID X 1/2 OD X 0.005 THICK                         |
| 2        | 3    | 1722936  | ROUND SPACER, ZINC PLATED STEEL, 1/2 OD X #10ID X 3/4L                     |
| 3        | 1    | 7707867  | 13T L BELT PULLEY IDLER  |
| 4        | 1    | 7707872  | NIP PIVOT BRACKET REAR   |
| 5        | 2    | 7707451  | EXT spring 0.034 X 0.360 X 1.50 MUSIC                                      |
| 6        | 1    | 9950062  | RADIAL BALL BEARING 3/16 ID 1/2 OD SEALED AND SHEilded WITH EXT INNER RACE |
| 7        | 6    | 7707510  | 3/8 ID X 7/8 OD FLANGED RADIAL BALL BEARING                                |
| 8        | 4    | 7707839  | PULLEY FLANGE  |
| 9        | 1    | 1981303  | TIMING BELT RUBBER 90XL037   |
| 10       | 1    | 7707834  | NIP PIVOT BRACKET FRONT  |
| 11       | 2    | 7707497  | DRIVEN ROLLER  |
| 12       | 2    | 7707798  | DRIVEN ROLLER BUSHING  |
| 13       | 2    | 7707835  | 1&T XL TIMING BELT PULLEY  |
| 14       | 1    | 7707554  | 13T L BELT PULLEY  |
| 15       | 1    | 7707809  | SHAFT  |
| 16       | 1    | 7707817  | DRIVEN SHAFT   |
| 17       | 3    | 7707605  | FHSCS #8-32 X 3/4  |
| 18       | 1    | 1722937  | BHCS SS #8-32 X 0.50   |
| 19       | 2    | 1926062  | LW #8  |
| 20       | 1    | 1925064  | FLAT WASHER MS 15795 MIL, STAINLESS #8, 0.188ID X 0.375OD X 0.065THK       |
| 21       | 2    | 1900090  | CUP POINT SOCKET SET SCREW ALLOY STEEL, BLACK FINISH #10-32 X 3/16         |
| 22       | 3    | 7707625  | CPSSS #8-32 X 3/16 AS  |
| 23       | 1    | 1730422  | SHCS SS #8-32 X 3/4  |
| 24       | 1    | 1980701  | HEX NUT 18-8 STAINLESS #8-32   |

| ITEM NO. | PART NUMBER | DESCRIPTION   | with fasteners/QTY. |
|----------|-------------|---|---------------------|
| 1        | 1722980     | Nylon Unthreaded Round Spacer 3/8" OD                     | 1                   |
| 2        | 7707797     | STANDOFF  | 4                   |
| 3        | 7707432     | STEEL ADJUSTING SHIM 3/8 ID X 1/2 OD X 0.005 THICK        | 4                   |
| 4        | 7707862     | PLOW  | 1                   |
| 5        | 7707870     | MOUNT BOSS  | 2                   |
| 6        | 7707869     | DEFLECTOR   | 2                   |
| 7        | 7707807     | SPACER SHAFT  | 4                   |
| 8        | 7707821     | STANDOFF SHAFT  | 2                   |
| 9        | 7707510     | 3/8 ID X 7/8 OD FLANGED RADIAL BALL BEARING               | 4                   |
| 10       | 7707573     | DRUM  | 1                   |
| 11       | 7707822     | UPPER SIDE PLATE  | 2                   |
| 12       | 7707816     | LOWER INPUT PULLEY  | 1                   |
| 13       | 7707874     | Reflector Mount Bracket                                   | 1                   |
| 14       | 7707523     | Corner Cube Reflector Disc, 26 mm Dia.                    | 1                   |
| 15       | 7707611     | 18-8 Stainless Steel Fully Threaded Stud 1/4"-20 Thread   | 2                   |
| 16       | 7707615     | SOCKET CAP SCREW ALLOY STEEL, BLACK FINISH 1/4-20 X 3-1/4 | 2                   |
| 17       | 1980072     | SHCS SS #10-32 X 1/2                                      | 5                   |
| 18       | 1730400     | BHCS SS #8-32 X 0.50                                      | 1                   |
| 19       | 1980281     | BUTTON HEAD SOCKET CAP SCREW 18-8 STAINLESS               | 1                   |
| 20       | 1980503     | FLAT HEAD SOCKET CAP SCREW 18-8 STAINLESS #1/4-20 X 1/2   | 1                   |
| 21       | 1926064     | SPRING LOCK WASHER REGULAR, 18-8 STAINLESS #1/4"          | 5                   |
| 22       | 1980853     | NYLON INSERT HEX LOCK NUT 18-8 STAINLESS 1/4-20           | 1                   |
| 23       | 1980077     | SHCS SS #10-32 X 1  | 1                   |
| 24       | 1926063     | SPRING LOCK WASHER REGULAR, 18-8 STAINLESS #10            | 3                   |
| 25       | 1980094     | SHCS SS 1/4-20 X 1/2                                      | 4                   |

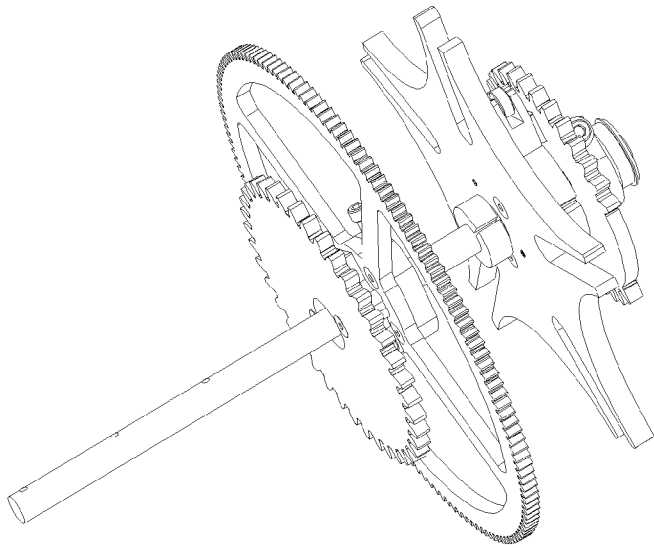


|        |               |     |   |    |   |
|--------|---------------|-----|---|----|---|
| TITLE  | INVERTER DRUM | SHT | 1 | OF | 1 |
| ITEM # | ISS10000      | REV |   |    |   |



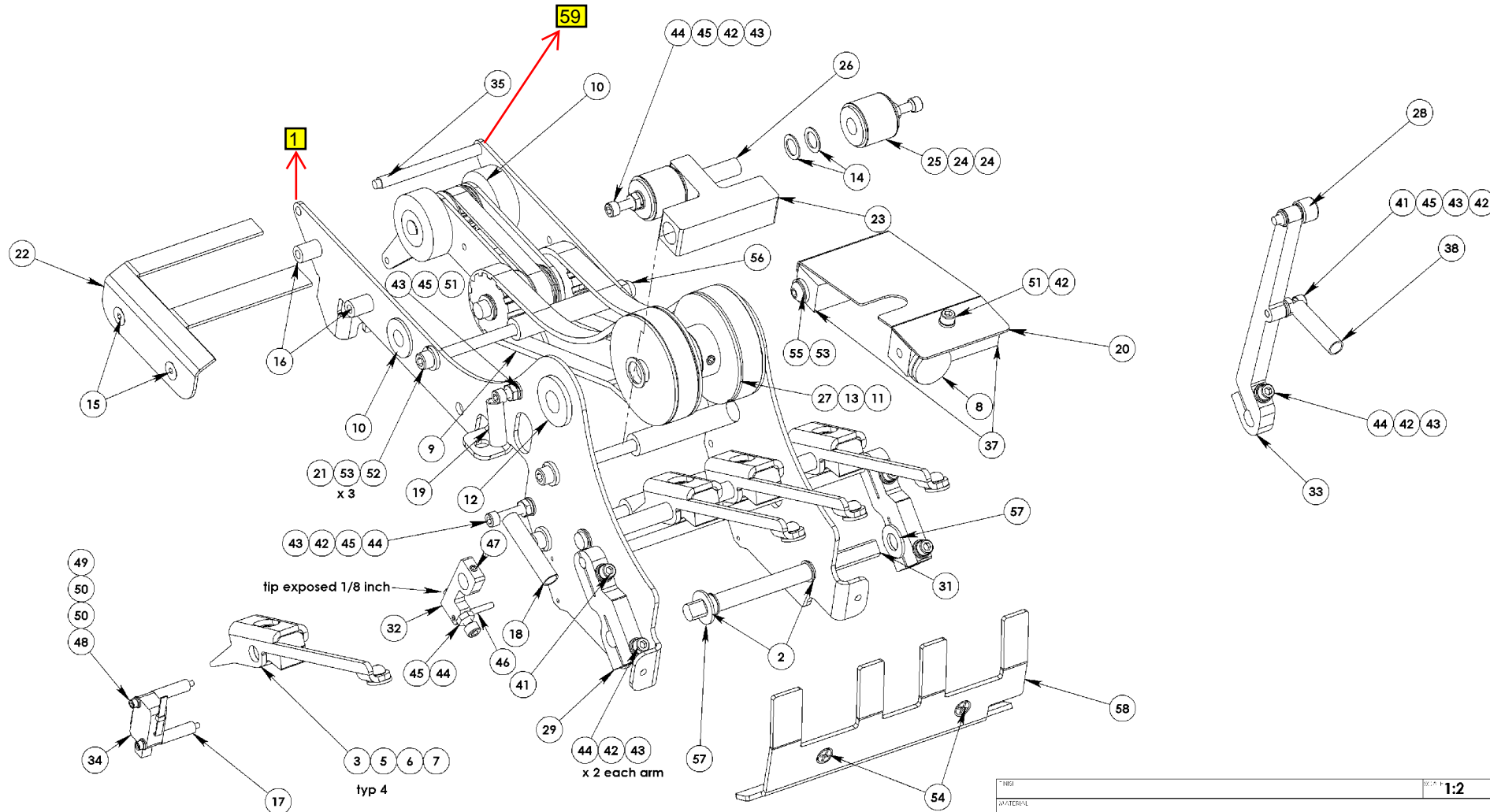
|       |              |     |   |    |   |
|-------|--------------|-----|---|----|---|
| TITLE | GENEVA WHEEL | SHT | 1 | OF | 2 |
|       | ITEM #       | REV |   |    |   |
|       | ISS11000     |     |   |    |   |





| ITEM NO. | PART NUMBER | DESCRIPTION   | with fasteners/QTY. |
|----------|-------------|---|---------------------|
| 1        | 7707786     | CLAMP ASSY SHAFT  | 1                   |
| 2        | 1925230     | NYLON FLAT WASHER, REGULAR<br>X 0.062 THK                             | 2                   |
| 3        | 1931522     | COILED SPRING PIN CARBON STEEL, PLAIN FINISH 1/8 X 1                  | 1                   |
| 4        | 1931533     | COILED SPRING PIN CARBON STEEL, PLAIN FINISH 1/8 X 3/4                | 1                   |
| 5        | 7707868     | BEARING SHAFT   | 1                   |
| 6        | 7707446     | COMP spring 0.042 X 0.455 X 0.500 MUSIC                               | 1                   |
| 7        | 9950012     | Clamp Collar  | 1                   |
| 8        | 7707799     | SHAFT CLAMP   | 2                   |
| 9        | 7707833     | HUB   | 1                   |
| 10       | 1771425     | Radial Ball Bearing   | 1                   |
| 11       | 7707814     | LATCH SHAFT   | 1                   |
| 12       | 9950062     | RADIAL BALL BEARING   | 1                   |
| 13       | 7707812     | LATCH ARM   | 1                   |
| 14       | 7707789     | DRIVEN PARTIAL GEAR   | 1                   |
| 15       | 7707791     | DRIVEN GEAR   | 1                   |
| 16       | 1980461     | FHSC SS #10-32 X 1/2  | 4                   |
| 17       | 7707614     | SOCKET CAP SCREW ALLOY STEEL, BLACK FINISH #1/4-20 X 1-1/4            | 1                   |
| 18       | 1926064     | SPRING LOCK WASHER REGULAR, 18-8 STAINLESS 1/4"                       | 1                   |
| 19       | 1722939     | SOCKET CAP SCREW 18-8 STAINLESS #10-32 X 5/8                          | 1                   |
| 20       | 1925080     | FFW CHS 1/4   | 1                   |
| 21       | 1930550     | E-STYLE RETAINING RING SPRING STEEL, ZINC PLATED 3/8 SHAFT            | 1                   |
| 22       | 1980077     | SHCS SS #10-32 X 1  | 3                   |
| 23       | 1926063     | SPRING LOCK WASHER REGULAR, 18-8 STAINLESS #10                        | 2                   |
| 24       | 1925060     | FLAT WASHER MS 15795 MIL, STAINLESS #10, 0.219ID X 0.438OD X 0.065THK | 2                   |
| 25       | 1930522     | E-STYLE RETAINING RING SPRING STEEL, ZINC PLATED 1/2 SHAFT            | 1                   |
| 26       | 7707469     | WOODRUFF KEY PLAIN STEEL USA #404                                     | 1                   |
| 27       | 1722940     | GENEVA & HUB  | 1                   |
| 28       | 7707875     | DRIVE GEAR ASSEMBLY   | 1                   |

|        |              |     |   |    |   |
|--------|--------------|-----|---|----|---|
| TITLE  | GENEVA WHEEL | SHT | 2 | OF | 2 |
| ITEM # | ISS11000     | REV |   |    |   |



| ECN# | Old P/N  | Old Rev | New P/N  | New Rev | Change Descriptions                  | Date      | By  |
|------|----------|---------|----------|---------|--------------------------------------|-----------|-----|
| 3622 | IS123060 | 1       | IS123070 | 2       | Changed material, added bend.        | 8-Mar-05  | KAJ |
| 3526 | IS076L80 | 0       | IS076L90 | 1       | Added cutout.                        | 14-Jun-04 | KAJ |
| 3526 | IS076R80 | 0       | IS076R90 | 1       | Move fence .06 closer to feed plane. | 14-Jun-04 | KAJ |

|  |              |                 |            |
|--|--------------|-----------------|------------|
| TITLE  |              | REV: 1:2        |            |
| MATERIAL   |              |                 |            |
| TOLERANCES: X.XXXX ±0.0005; X.XXX ±0.005; X.XX ±0.016; X/X ±1/32; ANGLES ±1/2°   |              |                 |            |
| MACHINE FINISH 63; BREAK ALL EDGES TO 0.01R MAX; THREADS-CLASS 2B; GEO TOL-ASME Y 14.5   |              |                 |            |
| THIS DOCUMENT IS PROPERTY OF ASTERISK INC. IT IS DELIVERED ON THE CONDITION IT ONLY BE USED FOR THE BENEFIT OF ASTERISK. NO OTHER RIGHT IS GRANTED TO USE OR DISCLOSE THE INFORMATION IT CONTAINS. |              |                 |            |
| ENG  | CONTROL DATE |                 |            |
| TITLE <b>INVERTER BELT DRIVE</b>   |              |                 | SHT 1 OF 2 |
| <b>asterisk*</b> www.asteriskinc.com<br>4 Business Park Rd Old Saybrook CT 06475 860.388.3811  |              | ITEM #          | REV        |
|  |              | <b>ISS12000</b> |            |

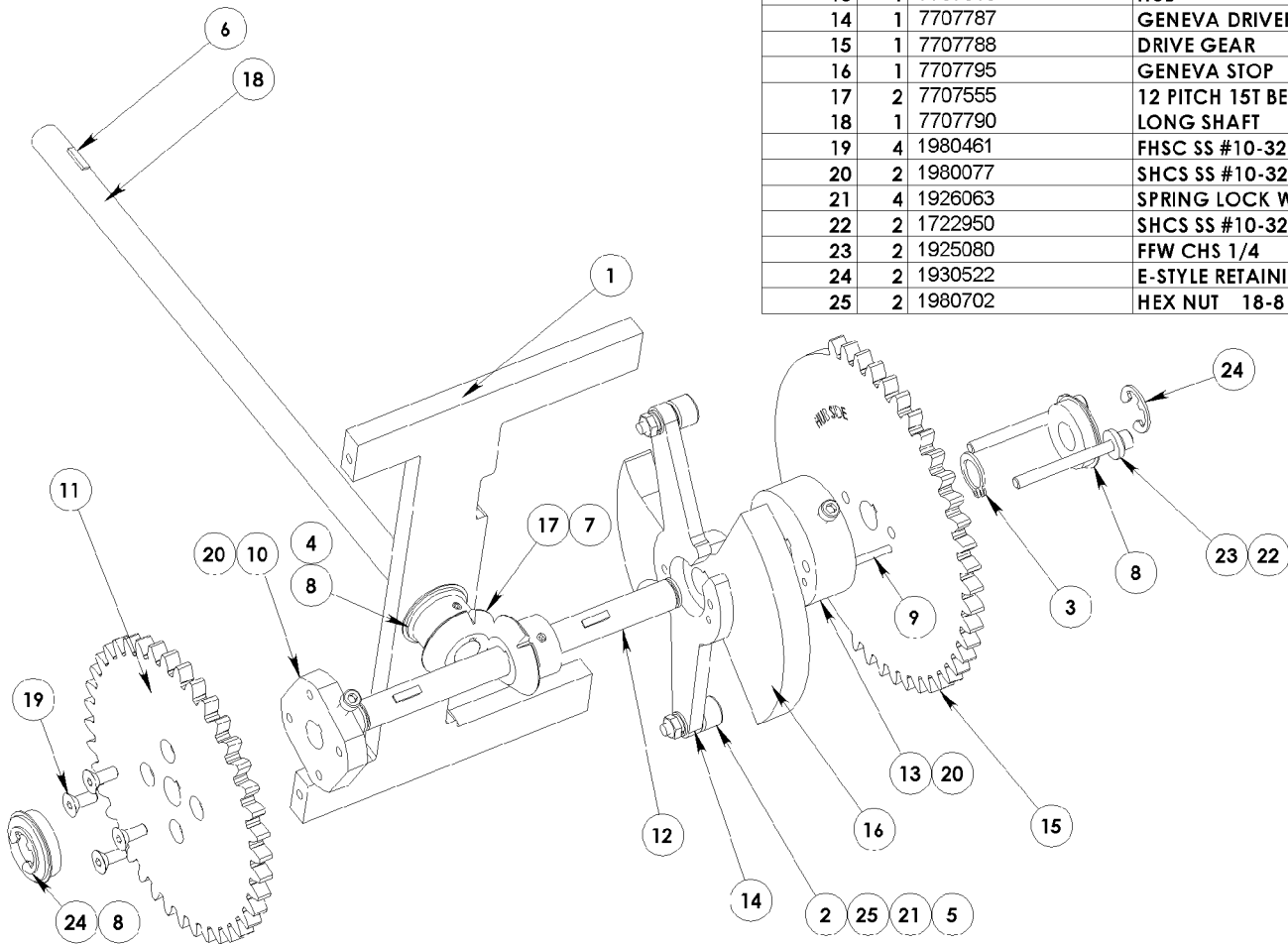
| ITEM NO. | QTY. | PART NO.   | DESCRIPTION  |
|----------|------|------------|--|
| 1        | 1    | 1722941    | LOWER INFEED PLATE <b>RIGHT.7707819.ISO76R90</b>                               |
| 2        | 4    | 1953804    | SNAP IN NYLINER BEARING NYLON 0.375 ID X 0.437 OD X 0.140L                     |
| 3        | 4    | 7707847    | DETECT FINGER  |
| 4        | 1    | 7707843    | DETECT SHAFT   |
| 5        | 4    | 7707849    | PIVOT BLOCK  |
| 6        | 4    | 7707516    | Solid Stem Rubber Plug Bumper Flat, 17/32" Head Dia, 1/16" Proj, 1/4" Stem Dia |
| 7        | 4    | 1980281    | BUTTON HEAD SOCKET CAP SCREW 18-8 STAINLESS #10-32 X 1/2                       |
| 8        | 1    | 7707523    | Corner Cube Reflector Disc, 26 mm Dia.   |
| 9        | 2    | 7707548    | TIMING BELT 3/8 PITCH 1/2 WIDE URETHANE 50T                                    |
| 10       | 1    | 1722942    | Moon Rover   |
| 11       | 2    | 1925238    | NYLON FLAT WASHER, NARROW RIM NATURAL COLOR 1/2ID X 11/16OD X 1/32THK          |
| 12       | 2    | 1771425    | Radial Ball Bearing  |
| 13       | 2    | 7707826    | CUP POINT SOCKET SET SCREW ALLOY STEEL, BLACK FINISH 1/4-20 X 3/8              |
| 14       | 4    | 7707432    | STEEL ADJUSTING SHIM 3/8 ID X 1/2 OD X 0.005 THICK                             |
| 15       | 2    | 7707806    | 18-8 SS Flat Head Socket Cap Screw 10-32 Thread, 3/4" Length                   |
| 16       | 2    | 1924819    | ROUND SPACER ALUMINUM 3/8 OD X #10 X 1/2 L                                     |
| 17       | 2    | 7707646    | Nylon Unthreaded Round Spacer 1/4" OD, 7/8" Length, #4 Screw Size              |
| 18       | 1    | 7707452    | EXT spring 0.034 X 0.360 X 1.75 MUSIC  |
| 19       | 2    | 7707453    | EXT spring 0.041 X 0.36 X 1.00 MUSIC   |
| 20       | 1    | 7707865    | DUST COVER   |
| 21       | 3    | 7707807    | SPACER SHAFT   |
| 22       | 1    | 7707836    | LOWER INFEED BRACKET   |
| 23       | 1    | 7707859    | TENSIONER BLOCK  |
| 24       | 4    | 7707510    | 3/8 ID X 7/8 OD FLANGED RADIAL BALL BEARING                                    |
| 25       | 2    | 7707857    | BELT TENSION TUBE  |
| 26       | 1    | 7707858    | TENSIONER SHAFT  |
| 27       | 2    | 7707856    | 20L TIMING BELT PULLEY   |
| 28       | 1    | 7707544    | CAM FOLLOWER 1/2 STUD  |
| 29       | 2    | 1722944    | DETECT PIVOT ARM   |
| 30       | 1    | 7707852    | DETECT LIFT ROD  |
| 31       | 1    | 7707850    | DETECT SHAFT   |
| 32       | 1    | 7707848    | SWITCH ACTUATOR  |
| 33       | 1    | 7707845    | LIFT ARM   |
| 34       | 1    | 7707508    | SHORT STRAIGHT BAT MECHANICAL SWITCH   |
| 35       | 1    | 7707838    | SPRING ANCHOR ROD  |
| 36       | 1    | 7707818    | LOWER INFEED PLATE LH  |
| 37       | 2    | 7707808    | SQUARE STANDOFF  |
| 38       | 1    | 7707451    | EXT spring 0.034 X 0.360 X 1.50 MUSIC  |
| 39       | 1    | 1926062    | LW #8  |
| 40       | 1    | 1925064    | FLAT WASHER MS 15795 MIL, STAINLESS #8, 0.188ID X 0.375OD X 0.065THK           |
| 41       | 3    | 1980075    | SHCS SS #10-32 X 3/4   |
| 42       | 12   | 1926063    | SPRING LOCK WASHER REGULAR, 18-8 STAINLESS #10                                 |
| 43       | 11   | 1925060    | FLAT WASHER MS 15795 MIL, STAINLESS #10, 0.219ID X 0.438OD X 0.065THK          |
| 44       | 7    | 1980077    | SHCS SS #10-32 X 1   |
| 45       | 7    | 1980702    | HEX NUT 18-8 STAINLESS #10-32  |
| 46       | 1    | 1931522    | COILED SPRING PIN CARBON STEEL, PLAIN FINISH 1/8 X 1                           |
| 47       | 1    | 1730455    | BRASS TIPPED SOCKET SET SCREW ALLOY STEEL, BLACK FINISH #10-32 X 3/16 LGTH     |
| 48       | 2    | 0147080007 | SHCS SS #4-40 X 1.5  |
| 49       | 2    | 1926060    | SPRING LOCK WASHER REGULAR, 18-8 STAINLESS #4                                  |
| 50       | 2    | 1725067    | FLAT WASHER MS15795 MIL, STAINLESS 0.125ID X 0.250OD X 0.028THK <b>1925067</b> |
| 51       | 3    | 1980072    | SHCS SS #10-32 X 1/2   |
| 52       | 3    | 7707815    | SOCKET CAP SCREW ALLOY STEEL, BLACK FINISH 1/4-20 X 3-1/4                      |
| 53       | 4    | 1926064    | SPRING LOCK WASHER REGULAR, 18-8 STAINLESS 1/4"                                |
| 54       | 2    | 7707807    | FLAT HEAD PHILLIPS MACHINE SCREW, #10-32 X 1/4                                 |
| 55       | 1    | 1980303    | BHCS SS 1/4-20 X 1/2   |

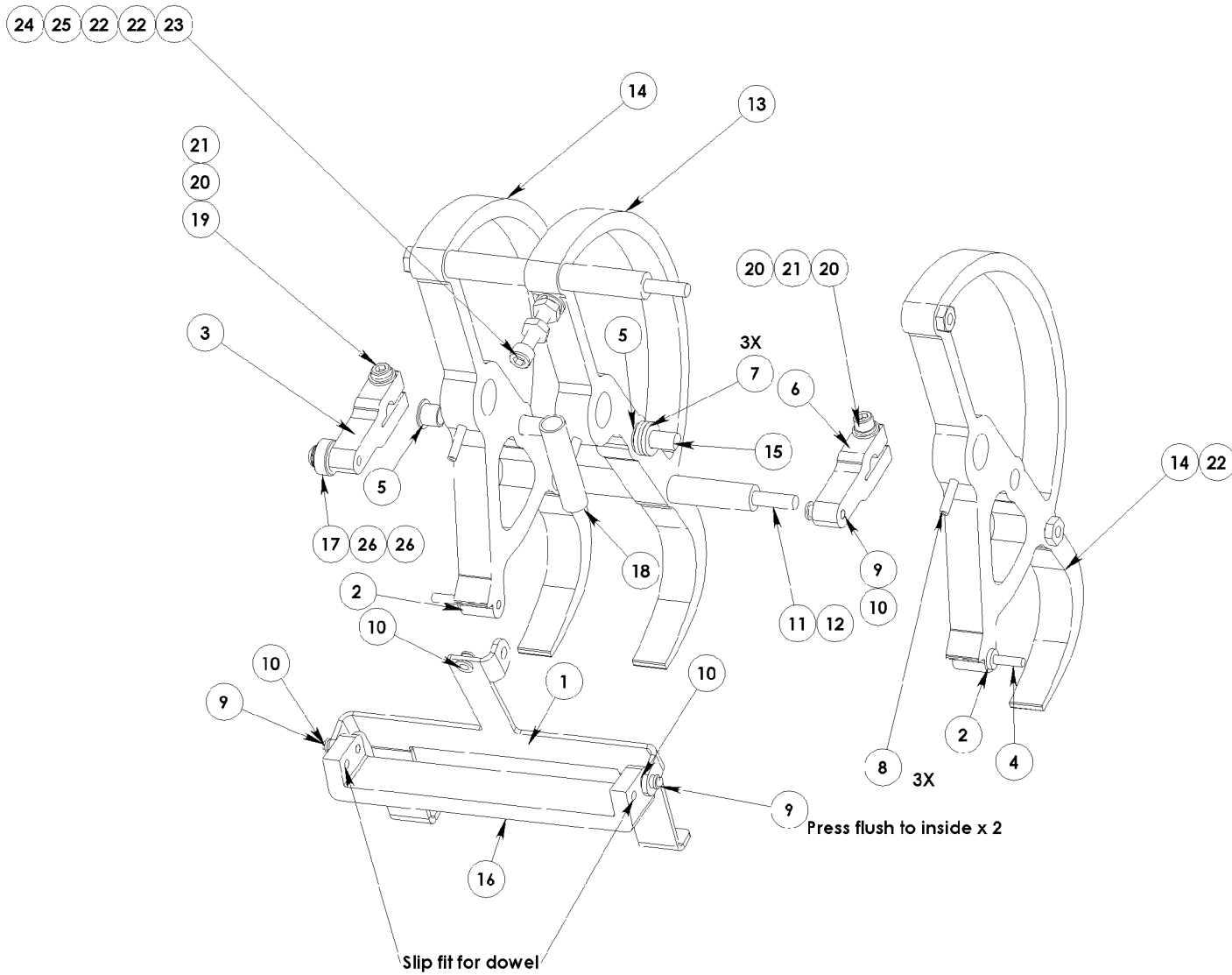
| ITEM NO. | QTY. | PART NO. | DESCRIPTION   |
|----------|------|----------|---|
| 56       | 2    | 1980853  | NYLON INSERT HEX LOCK NUT 18-8 STAINLESS 1/4-20                           |
| 57       | 2    | 1925223  | NYLON FLAT WASHER, REGULAR NATURAL COLOR 3/8, 0.390ID X 0.75OD X 0.062THK |
| 58       | 1    | 1723113  | STOP BRACKET  |

**59 1 7707818 LOWER INFEER PLATE ,L,ISO76L90**

|  |              |                 |        |
|--|--------------|-----------------|--------|
| TITLE  |              | REV             |        |
| INVERTER BELT DRIVE  |              | SHT             | 2 OF 2 |
| as.ter.isk* www.asteriskinc.com  |              | ITEM #          |        |
| 4 Business Park Rd Old Saybrook CT 06475 860.388.3811  |              | <b>ISS12000</b> |        |
| TOLERANCES: X.XXXX ±0.0005; X.XXX ±0.005; X.XX ±0.015; X/X ±1/32; ANGLES ±1/2°   |              |                 |        |
| MACHINE FINISH 63; BREAK ALL EDGES TO 0.01R MAX; THREADS—CLASS 2B; GEO TOL—ASME Y 14.5   |              |                 |        |
| THIS DOCUMENT IS PROPERTY OF ASTERSK INC. IT IS DELIVERED ON THE CONDITION IT ONLY BE USED FOR THE BENEFIT OF ASTERSK. NO OTHER RIGHT IS GRANTED TO USE OR DISCLOSE THE INFORMATION IT CONTAINS. |              |                 |        |
| ENG  | CONTROL DATE |                 |        |

| ITEM NO. | QTY. | PART NO. | DESCRIPTION   |
|----------|------|----------|---|
| 1        | 1    | 7707830  | CROSS STRUT   |
| 2        | 2    | 7707544  | CAM FOLLOWER 1/2 STUD   |
| 3        | 1    | 1925230  | SELF-LOCKING EXTERNAL RETAINING RING SPRING STEEL, 1/2 SHAFT            |
| 4        | 1    | 1925230  | NYLON FLAT WASHER, REGULAR NATURAL COLOR 1/2, 0.505 X 0.750 X 0.062 THK |
| 5        | 4    | 1925060  | FLAT WASHER MS 15795 MIL, STAINLESS #10, 0.219ID X 0.438OD X 0.065THK   |
| 6        | 5    | 7707469  | WOODRUFF KEY PLAIN STEEL USA #404                                       |
| 7        | 2    | 1900090  | CUP POINT SOCKET SET SCREW ALLOY STEEL, BLACK FINISH #10-32 X 3/16      |
| 8        | 3    | 1771425  | Radial Ball Bearing   |
| 9        | 1    | 7707443  | Plain Steel Spring Pin 1/8" Dia, 2" Length                              |
| 10       | 1    | 1722949  | HUB   |
| 11       | 1    | 7707829  | DRIVEN GEAR   |
| 12       | 1    | 7707827  | DRIVEN BEVEL GEAR SHAFT   |
| 13       | 1    | 7707815  | HUB   |
| 14       | 1    | 7707787  | GENEVA DRIVER ARM   |
| 15       | 1    | 7707788  | DRIVE GEAR  |
| 16       | 1    | 7707795  | GENEVA STOP   |
| 17       | 2    | 7707555  | 12 PITCH 15T BEVEL GEAR   |
| 18       | 1    | 7707790  | LONG SHAFT  |
| 19       | 4    | 1980461  | FHSC SS #10-32 X 1/2  |
| 20       | 2    | 1980077  | SHCS SS #10-32 X 1  |
| 21       | 4    | 1926063  | SPRING LOCK WASHER REGULAR, 18-8 STAINLESS #10                          |
| 22       | 2    | 1722950  | SHCS SS #10-32 X 2  |
| 23       | 2    | 1925080  | FFW CHS 1/4   |
| 24       | 2    | 1930522  | E-STYLE RETAINING RING SPRING STEEL, ZINC PLATED 1/2 SHAFT              |
| 25       | 2    | 1980702  | HEX NUT 18-8 STAINLESS #10-32   |



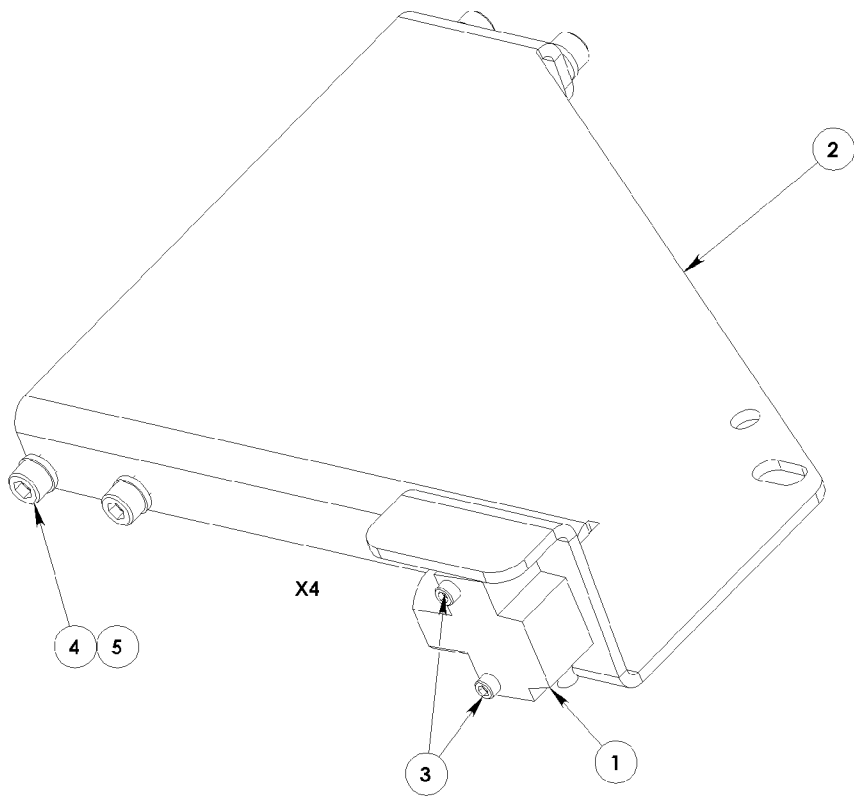


|       |                |     |   |    |   |
|-------|----------------|-----|---|----|---|
| TITLE | INVERTER CLAMP | SHT | 1 | OF | 2 |
| REV   | ISS14000       |     |   |    | 0 |

| ITEM NO. | QTY. | PART NO. | DESCRIPTION  |
|----------|------|----------|--|
| 1        | 1    | 7707801  | CLAMP BRACKET  |
| 2        | 2    | 7707423  | Nylon 6/6 Flat Washer 5 Screw Size, .130" ID, .285" OD, .062" Thk          |
| 3        | 1    | 7707803  | BEARING LINK   |
| 4        | 2    | 1954120  | 1/8 X 1 hardened steel dowel pin   |
| 5        | 2    | 7707460  | Flanged Nyliner Bearing 1/4 Shaft  |
| 6        | 1    | 7707805  | BEARING LINK   |
| 7        | 3    | 1925224  | NYLON FLAT WASHER, REGULAR NATURAL COLOR 1/4, 0.252ID X 0.472OD X 0.060THK |
| 8        | 3    | 1931522  | COILED SPRING PIN CARBON STEEL, PLAIN FINISH 1/8 X 1                       |
| 9        | 3    | 7707437  | 1/8 X 1/2 hardened steel dowel pin   |
| 10       | 4    | 7707483  | Snap-In Nylon Bearing For 1/8" Shaft Diameter, 1/4" O'all Diameter         |
| 11       | 2    | 7707796  | THREADED ROD   |
| 12       | 4    | 1722948  | ROUND SPACER #10 X 3/8 X 1.25 NYLON  |
| 13       | 1    | 7707806  | CENTER INVERT FINGER   |
| 14       | 2    | 7707793  | OUTER INVERT FINGER  |
| 15       | 1    | 7707804  | CLAMP LINK SHAFT   |
| 16       | 1    | 7707802  | YOKE   |
| 17       | 1    | 9950062  | RADIAL BALL BEARING 3/16 ID 1/2 OD SEALED AND SHEILDED WITH EXT INNER RACE |
| 18       | 1    | 1935317  | EXT SPRING .375OD X .039 WIRE X 1.50LG                                     |
| 19       | 2    | 1730422  | SHCS SS #8-32 X 3/4  |
| 20       | 3    | 1926062  | LW #8  |
| 21       | 2    | 1925064  | FLAT WASHER MS 15795 MIL, STAINLESS #8, 0.188ID X 0.375OD X 0.065THK       |
| 22       | 6    | 1980702  | HEX NUT 18-8 STAINLESS #10-32  |
| 23       | 1    | 1980079  | SHCS SS #10-32 X 1-1/4   |
| 24       | 1    | 1926063  | SPRING LOCK WASHER REGULAR, 18-8 STAINLESS #10                             |
| 25       | 1    | 1925060  | FLAT WASHER MS 15795 MIL, STAINLESS #10, 0.219ID X 0.438OD X 0.065THK      |
| 26       | 1    | 1730400  | BHCS SS #8-32 X 0.50   |

|       |                |     |   |          |   |
|-------|----------------|-----|---|----------|---|
| TITLE | INVERTER CLAMP | SHT | 2 | OF       | 2 |
|       |                |     |   | REV      | 0 |
|       |                |     |   | ISS14000 |   |

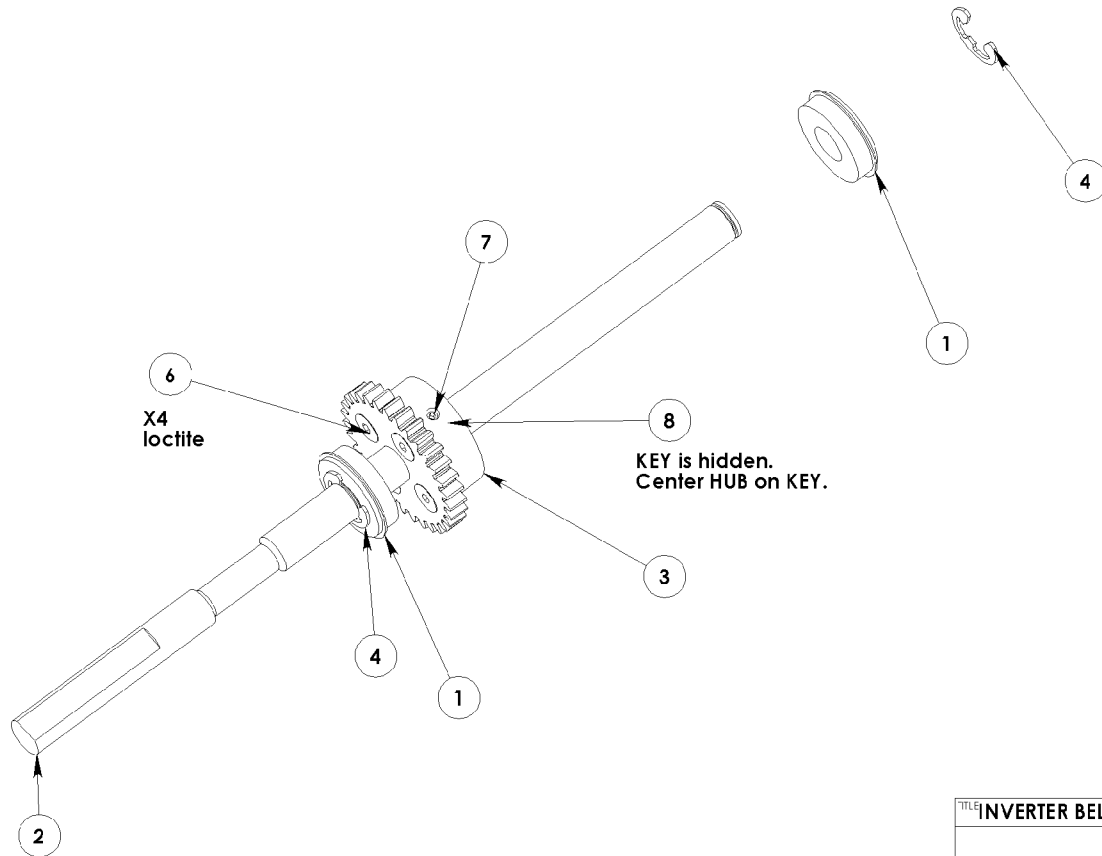
| ITEM NO. | QTY. | PART NO. | DESCRIPTION  |
|----------|------|----------|--|
| 1        | 1    | 7707521  | Photoelectric sensor, Polarized Retroreflective, NPN, Dark |
| 2        | 1    | 7707854  | SENSOR BRACKET   |
| 3        | 2    | 1730414  | SOCKET CAP SCREW 18-8 STAINLESS #4-40 X 5/8                |
| 4        | 4    | 1980072  | SHCS SS #10-32 X 5/16                                      |
| 5        | 4    | 1926063  | SPRING LOCK WASHER REGULAR, 18-8 STAINLESS #10             |



|         |                         |     |   |    |   |
|---------|-------------------------|-----|---|----|---|
| TITLE   | INVERTER SENSOR BRACKET | SHT | 1 | OF | 1 |
| ISSUE # | ISS16000                | REV |   |    | 0 |

| ITEM NO. | QTY. | PART NO. | DESCRIPTION  |
|----------|------|----------|--|
| 1        | 2    | 1771425  | Radial Ball Bearing  |
| 2        | 1    | 7707824  | BELT DRIVE SHAFT   |
| 3        | 1    | 7707828  | HUB  |
| 4        | 2    | 1930522  | E-STYLE RETAINING RING SPRING STEEL, ZINC PLATED 1/2 SHAFT |
| 5        | 1    | 7707800  | DRIVEN GEAR  |
| 6        | 4    | 1980461  | FHSC SS #10-32 X 1/2                                       |
| 7        | 1    | 1900091  | CPSSS #8-32 X 3/16 AS                                      |
| 8        | 1    | 7707469  | WOODRUFF KEY PLAIN STEEL USA #404                          |

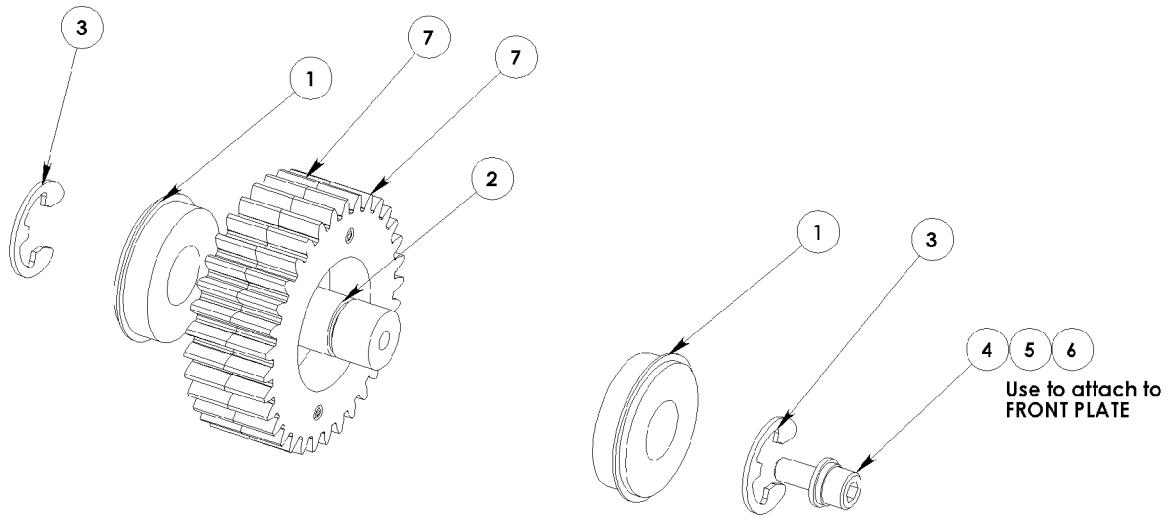
Assemble GEAR to HUB on SHAFT.  
 insert ASSEMBLY between SIDE PLATES.  
 Slide BEARINGS onto shafts and then install ERings.



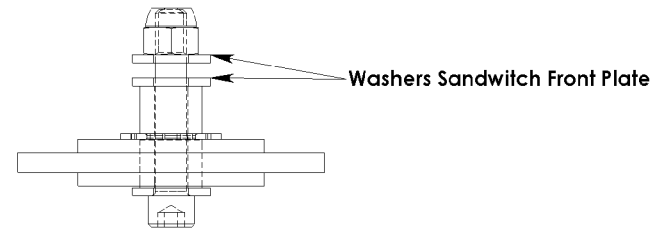
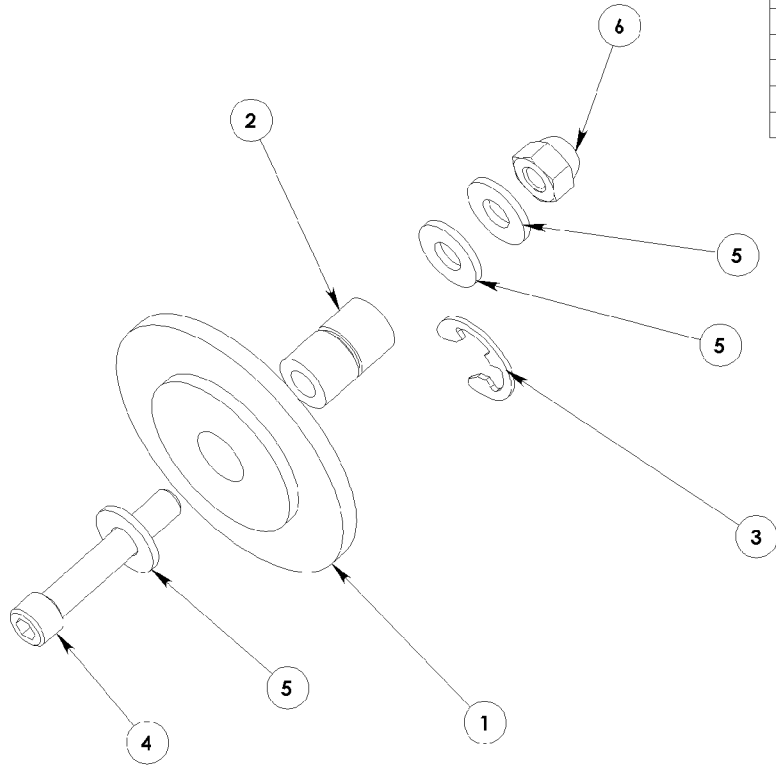
|        |                           |     |   |    |   |
|--------|---------------------------|-----|---|----|---|
| TITLE  | INVERTER BELT DRIVE SHAFT | SHT | 1 | OF | 1 |
| ITEM # | ISS17000                  | REV |   |    |   |



| ITEM NO. | QTY. | PART NO. | DESCRIPTION   |
|----------|------|----------|---|
| 1        | 2    | 1771425  | Radial Ball Bearing   |
| 2        | 1    | 7707832  | STUB SHAFT  |
| 3        | 2    | 1930522  | E-STYLE RETAINING RING SPRING STEEL, ZINC PLATED 1/2 SHAFT            |
| 4        | 1    | 1980072  | SHCS SS #10-32 X 1/2  |
| 5        | 1    | 1926063  | SPRING LOCK WASHER REGULAR, 18-8 STAINLESS #10                        |
| 6        | 1    | 1925060  | FLAT WASHER MS 15795 MIL, STAINLESS #10, 0.219ID X 0.438OD X 0.065THK |
| 7        | 2    | 7707831  | TRANSFER GEAR   |
| 8        | 2    | 1931533  | COILED SPRING PIN CARBON STEEL, PLAIN FINISH 1/8 X 3/4                |



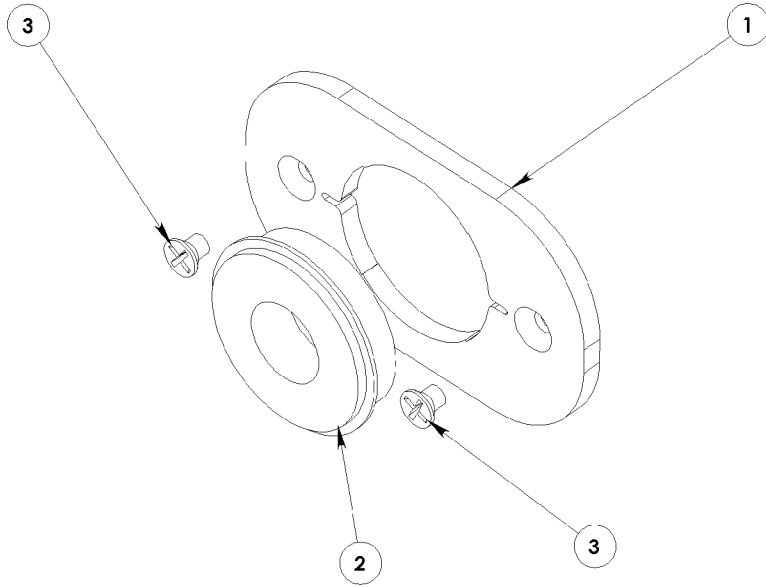
| ITEM NO. | QTY. | PART NO. | DESCRIPTION  |
|----------|------|----------|--|
| 1        | 1    | 7707550  | 19T #35 ROLLER CHAIN IDLER SPROCKET                        |
| 2        | 1    | 7707855  | CHAIN IDLER SPACER   |
| 3        | 1    | 1930522  | E-STYLE RETAINING RING SPRING STEEL, ZINC PLATED 1/2 SHAFT |
| 4        | 1    | 1980101  | SHCS SS 1/4-20 X 1-1/2                                     |
| 5        | 3    | 1925069  | 1/4 FLAT WASHER  |
| 6        | 1    | 1980853  | NYLON INSERT HEX LOCK NUT 18-8 STAINLESS 1/4-20            |



|       |                      |     |   |    |   |
|-------|----------------------|-----|---|----|---|
| TITLE | INVERTER CHAIN IDLER | SHT | 1 | OF | 1 |
| MEM # | ISS19000             | REV | 0 |    |   |

| ITEM NO. | QTY. | PART NO. | DESCRIPTION   |
|----------|------|----------|---|
| 1        | 1    | 7707871  | BEARING PLATE   |
| 2        | 1    | 7707541  | FLANGED RADIAL BALL BEARING 0.750 X 1.625 X .438 WIDE |
| 3        | 2    | 7707607  | FLAT HEAD PHILLIPS MACHINE SCREW, #10-32 X 1/4        |

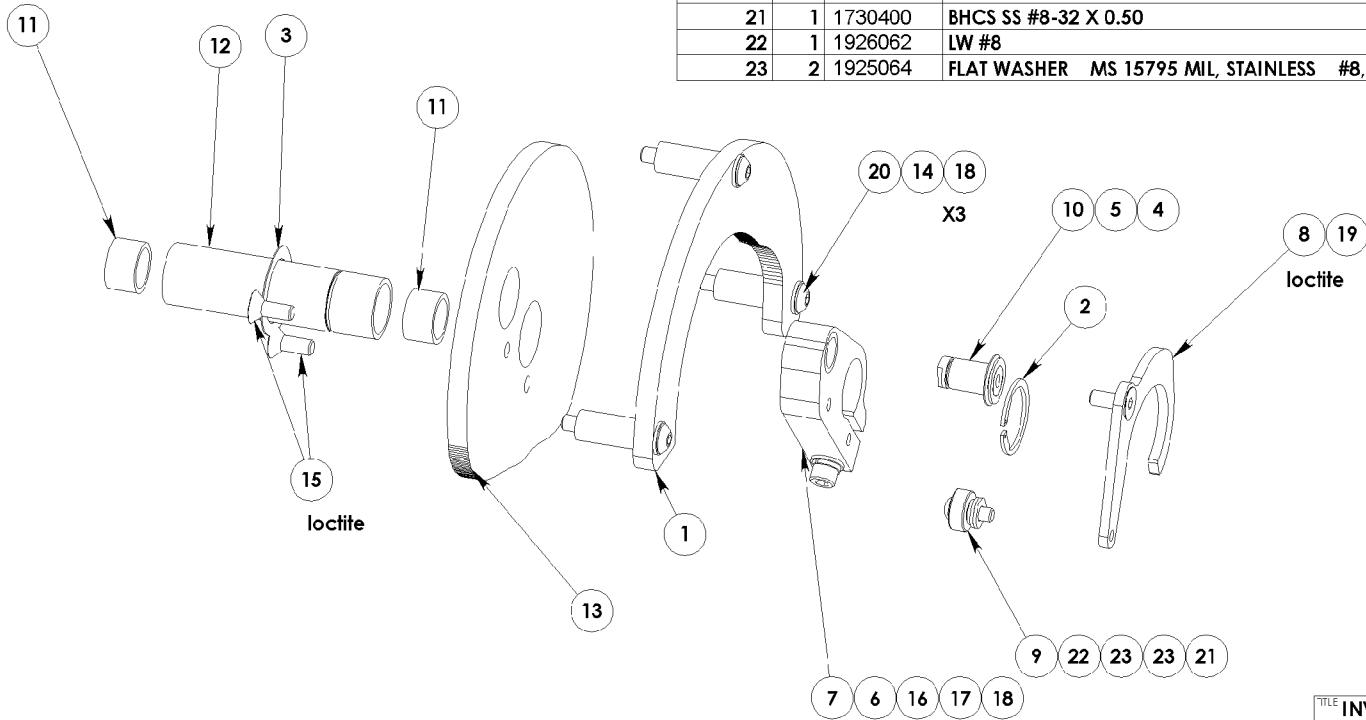
Push Bearing into plate by hand. Attach to FRONT PLATE w/ loctite.



|       |                             |     |   |    |   |
|-------|-----------------------------|-----|---|----|---|
| TITLE | INVERTER HOLLOW SHAFT MOUNT | SHT | 1 | OF | 1 |
| MEM # | ISS20000                    | REV | 0 |    |   |

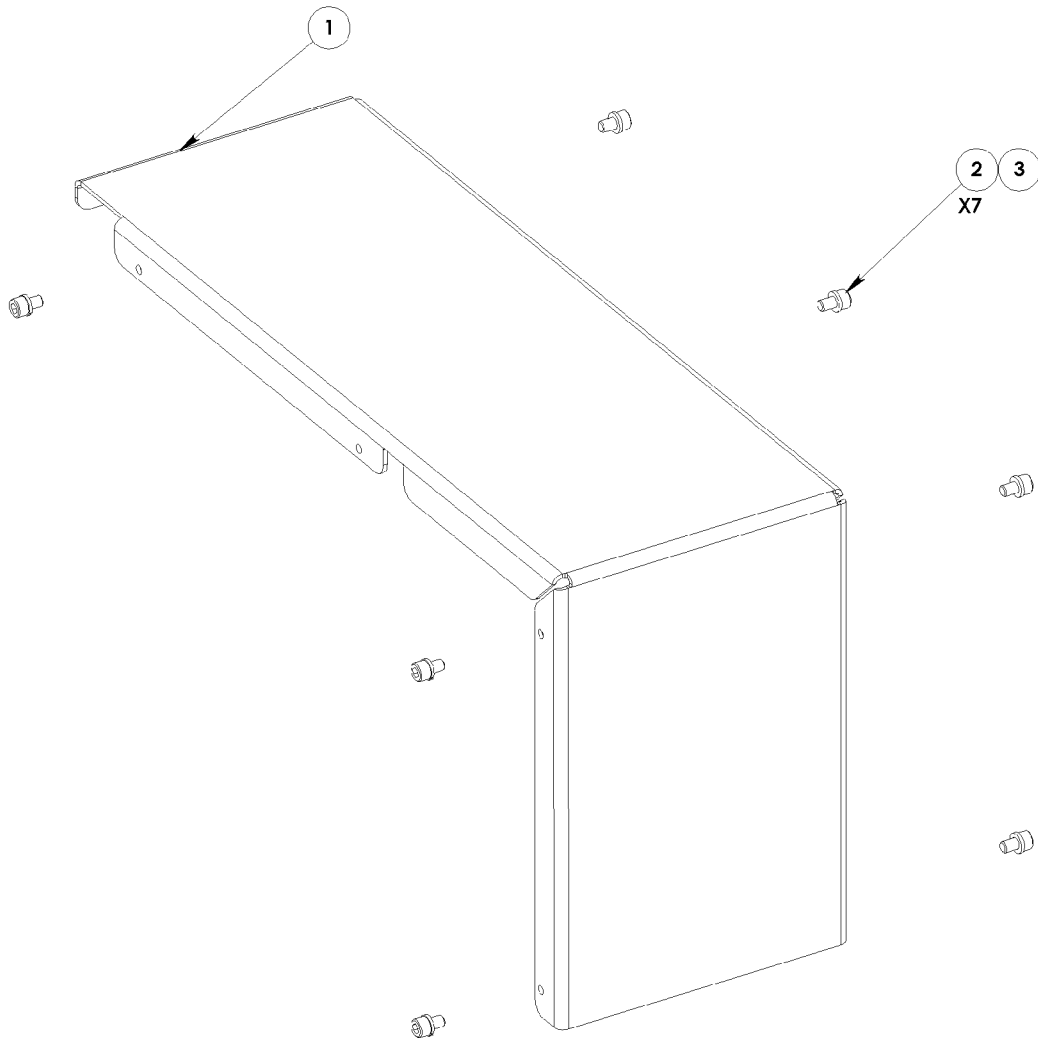
| ITEM NO. | QTY. | PART NO. | DESCRIPTION   |
|----------|------|----------|---|
| 1        | 1    | 7707842  | External Cam  |
| 2        | 1    | 7707436  | External Retaining Ring 3/4 shaft inside lugs   |
| 3        | 1    | 7707596  | CURVED DISK SPRING 301 SS   |
| 4        | 1    | 7707432  | STEEL ADJUSTING SHIM 3/8 ID X 1/2 OD X 0.005 THICK  |
| 5        | 1    | 7707594  | Grade 1074 Hi-Carbon Steel Curved Disc Spring 5/8" Hole, 3/8" Rod, .400" ID, .612" OD, .0130" Thk |
| 6        | 1    | 1730531  | OIL IMP BRG SIN BRONZE 3/8ID X 1/2OD X 1/2L PLAIN   |
| 7        | 1    | 7707841  | CAM CLAMP   |
| 8        | 1    | 7707794  | INNER CAM   |
| 9        | 1    | 9950062  | RADIAL BALL BEARING 3/16 ID 1/2 OD SEALED AND SHEILDED WITH EXT INNER RACE                        |
| 10       | 1    | 7707814  | LATCH SHAFT   |
| 11       | 2    | 1771427  | SINTERED BRONZE BEARING 1/2 ID X 5/8 OD X 3/8 L   |
| 12       | 1    | 7707792  | HOLLOW SHAFT  |
| 13       | 1    | 7707844  | Defect Lift Cam   |
| 14       | 3    | 1924820  | ROUND SPACER, ZINC PLATED STEEL, 1/2 OD X #10ID X 3/4L  |
| 15       | 2    | 1980461  | FHSC SS #10-32 X 1/2  |
| 16       | 1    | 1980076  | SHCS SS #10-32 X 7/8  |
| 17       | 1    | 1926063  | SPRING LOCK WASHER REGULAR, 18-8 STAINLESS #10  |
| 18       | 4    | 1925060  | FLAT WASHER MS 15795 MIL, STAINLESS #10, 0.219ID X 0.438OD X 0.065THK                             |
| 19       | 1    | 7707601  | FHSCS, ALLOY STEEL, BLACK FINISH, #10-32 x 1/2  |
| 20       | 3    | 7707599  | BHCS SS #10-32 X 1.25   |
| 21       | 1    | 1730400  | BHCS SS #8-32 X 0.50  |
| 22       | 1    | 1926062  | LW #8   |
| 23       | 2    | 1925064  | FLAT WASHER MS 15795 MIL, STAINLESS #8, 0.188ID X 0.375OD X 0.065THK                              |

Press BEARINGS into TUBE, ream to 0.5010



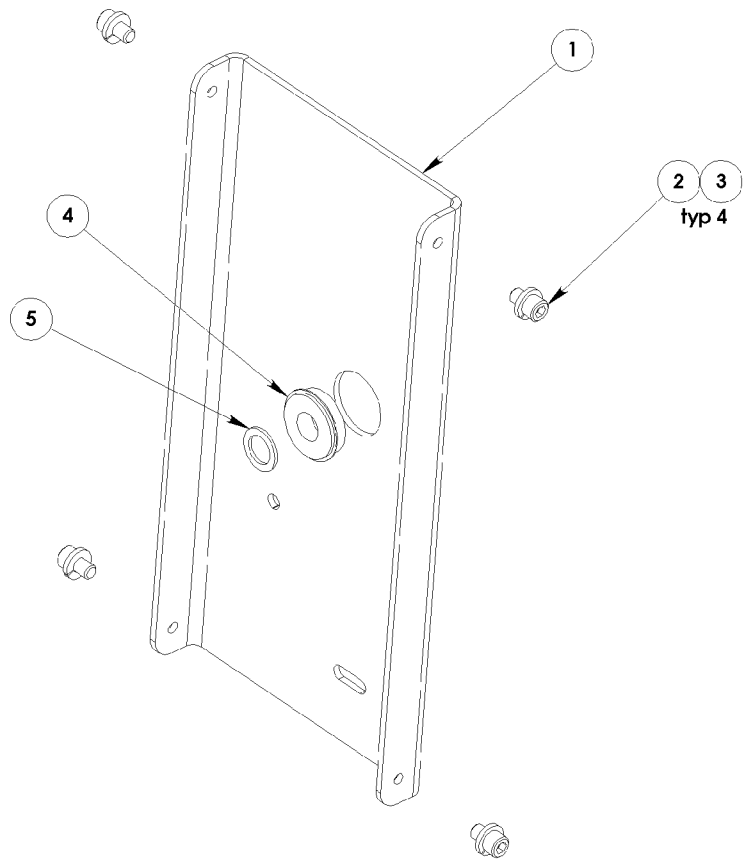
|        |                       |     |   |    |   |
|--------|-----------------------|-----|---|----|---|
| TITLE  | INVERTER EXTERNAL CAM | SHT | 1 | OF | 1 |
| ITEM # | ISS21000              | REV |   |    |   |

| ITEM NO. | QTY. | PART NO. | DESCRIPTION                                    |
|----------|------|----------|--|
| 1        | 1    | 7707853  | MAIN COVER                                     |
| 2        | 7    | 1980072  | SHCS SS #10-32 X 5/16                          |
| 3        | 7    | 1926063  | SPRING LOCK WASHER REGULAR, 18-8 STAINLESS #10 |



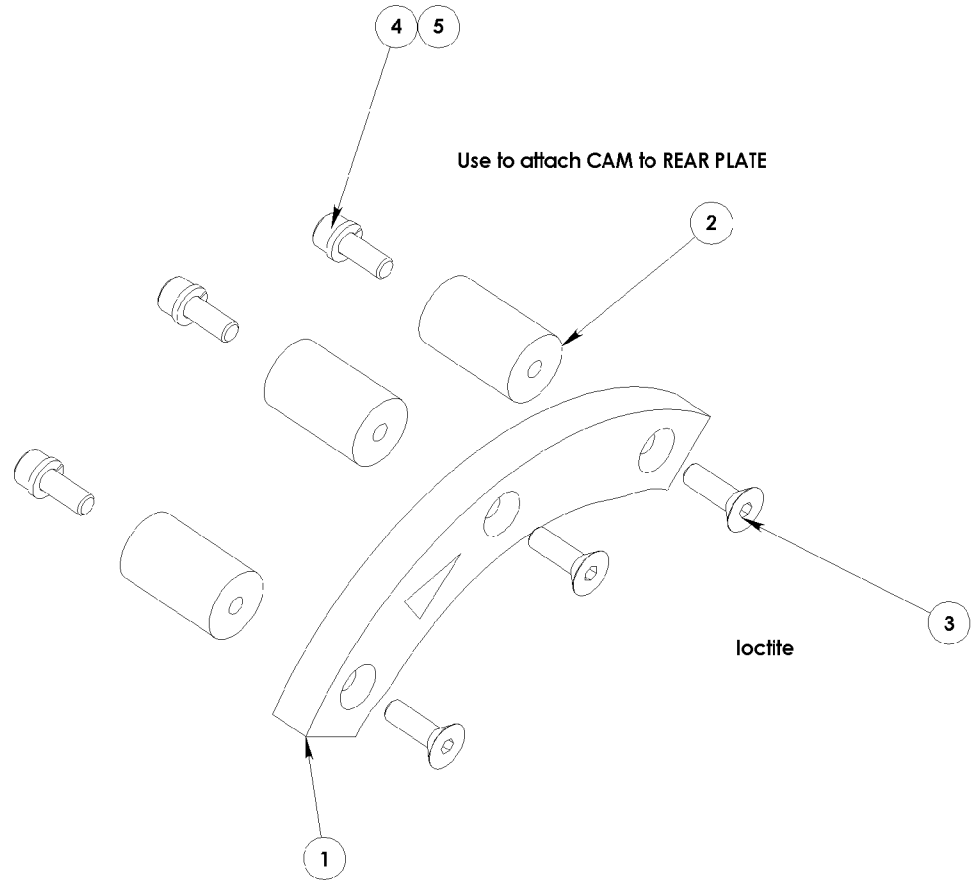
|        |                     |     |   |    |   |
|--------|---------------------|-----|---|----|---|
| TITLE  | INVERTER MAIN COVER | SHT | 1 | OF | 1 |
| ITEM # | ISS23000            | REV | 0 |    |   |

| ITEM NO. | QTY. | PART NO. | DESCRIPTION   |
|----------|------|----------|---|
| 1        | 1    | 7707825  | BRACKET   |
| 2        | 4    | 1980093  | SHCS SS 1/4-20 X 3/8  |
| 3        | 4    | 1926064  | SPRING LOCK WASHER REGULAR, 18-8 STAINLESS 1/4"                         |
| 4        | 1    | 1771425  | Radial Ball Bearing   |
| 5        | 1    | 1925230  | NYLON FLAT WASHER, REGULAR NATURAL COLOR 1/2, 0.505 X 0.750 X 0.062 THK |



|        |                     |     |   |    |   |
|--------|---------------------|-----|---|----|---|
| TITLE  | INVERTER SIDE PLATE | SHT | 1 | OF | 1 |
| ITEM # | ISS24000            | REV | 0 |    |   |

| ITEM NO. | QTY. | PART NO. | DESCRIPTION                                    |
|----------|------|----------|--|
| 1        | 1    | 7707813  | EXTERNAL CAM                                   |
| 2        | 3    | 1730477  | ROUND STANDOFF #10 X 5/8OD X 1.0L              |
| 3        | 3    | 1980483  | FHSC SS #10-32 X 5/8                           |
| 4        | 3    | 1980072  | SHCS SS #10-32 X 1/2                           |
| 5        | 3    | 1926063  | SPRING LOCK WASHER REGULAR, 18-8 STAINLESS #10 |



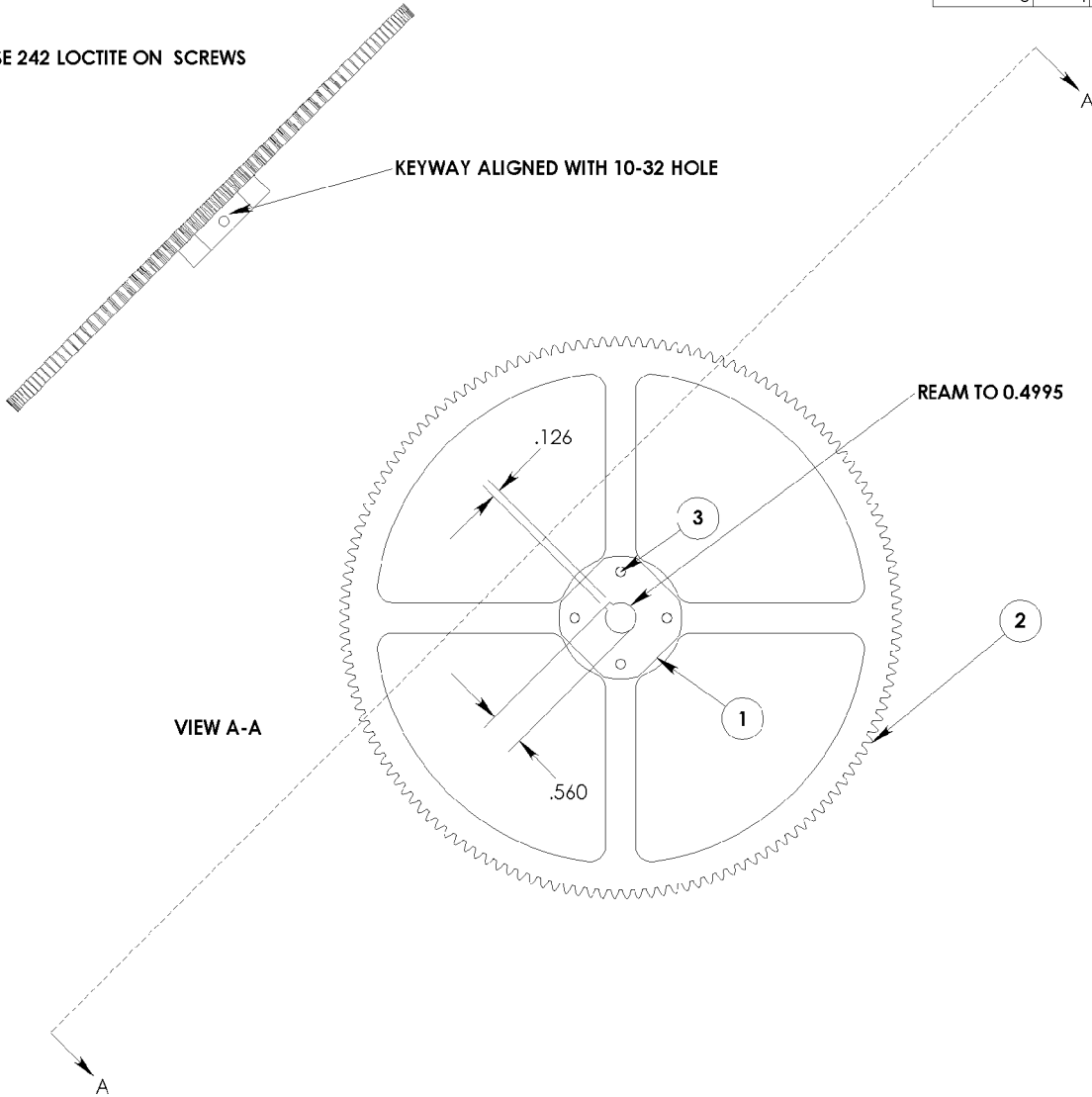
|       |                           |     |   |    |   |
|-------|---------------------------|-----|---|----|---|
| TITLE | INBERTER GENEVA LATCH CAM | SHT | 1 | OF | 1 |
| REV   | ISS25000                  | REV | 0 |    |   |

| Find # | Qty | Item #  | Description          |
|--------|-----|---------|----------------------|
| 1      | 1   | 1722951 | HUB                  |
| 2      | 1   | 1722952 | DRIVE GEAR           |
| 3      | 4   | 1980461 | FHSC SS #10-32 X 1/2 |

USE 242 LOCTITE ON SCREWS

KEYWAY ALIGNED WITH 10-32 HOLE

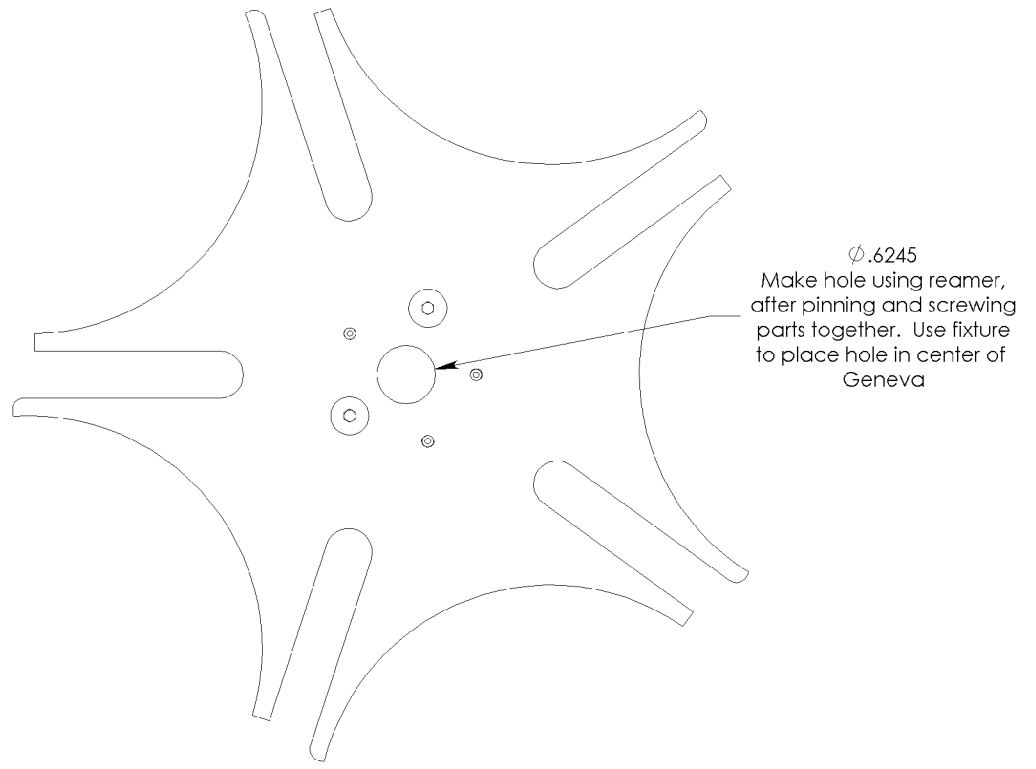
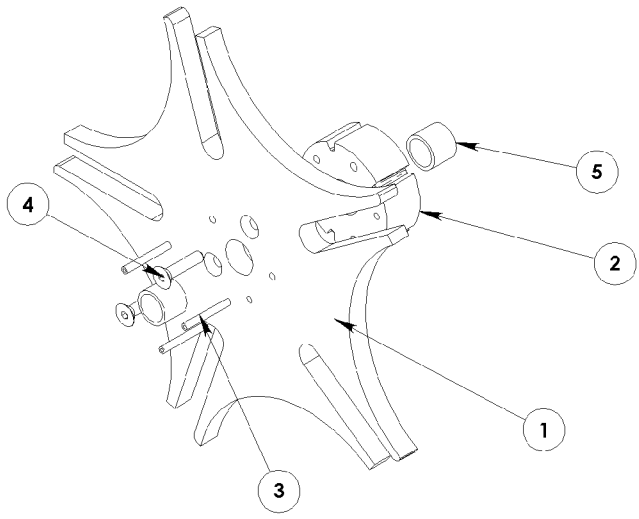
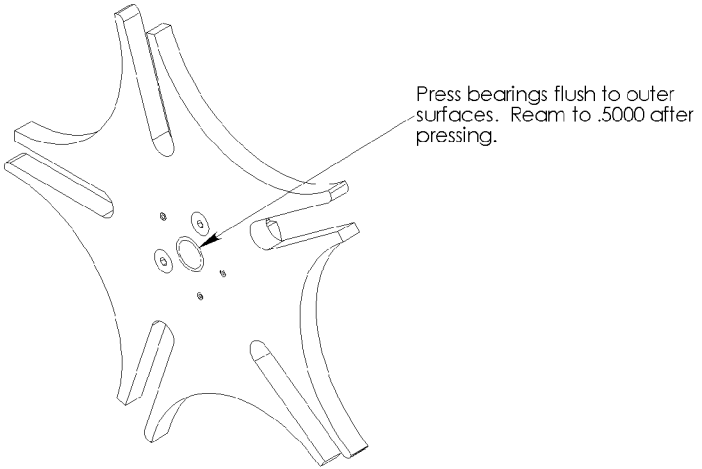
ASSEMBLE BEFORE MACHINING



|       |                              |     |   |    |   |
|-------|------------------------------|-----|---|----|---|
| TITLE | INVERTER DRIVE GEAR ASSEMBLY | SHT | 1 | OF | 1 |
| REV   | ISS26000                     | REV |   |    | 0 |

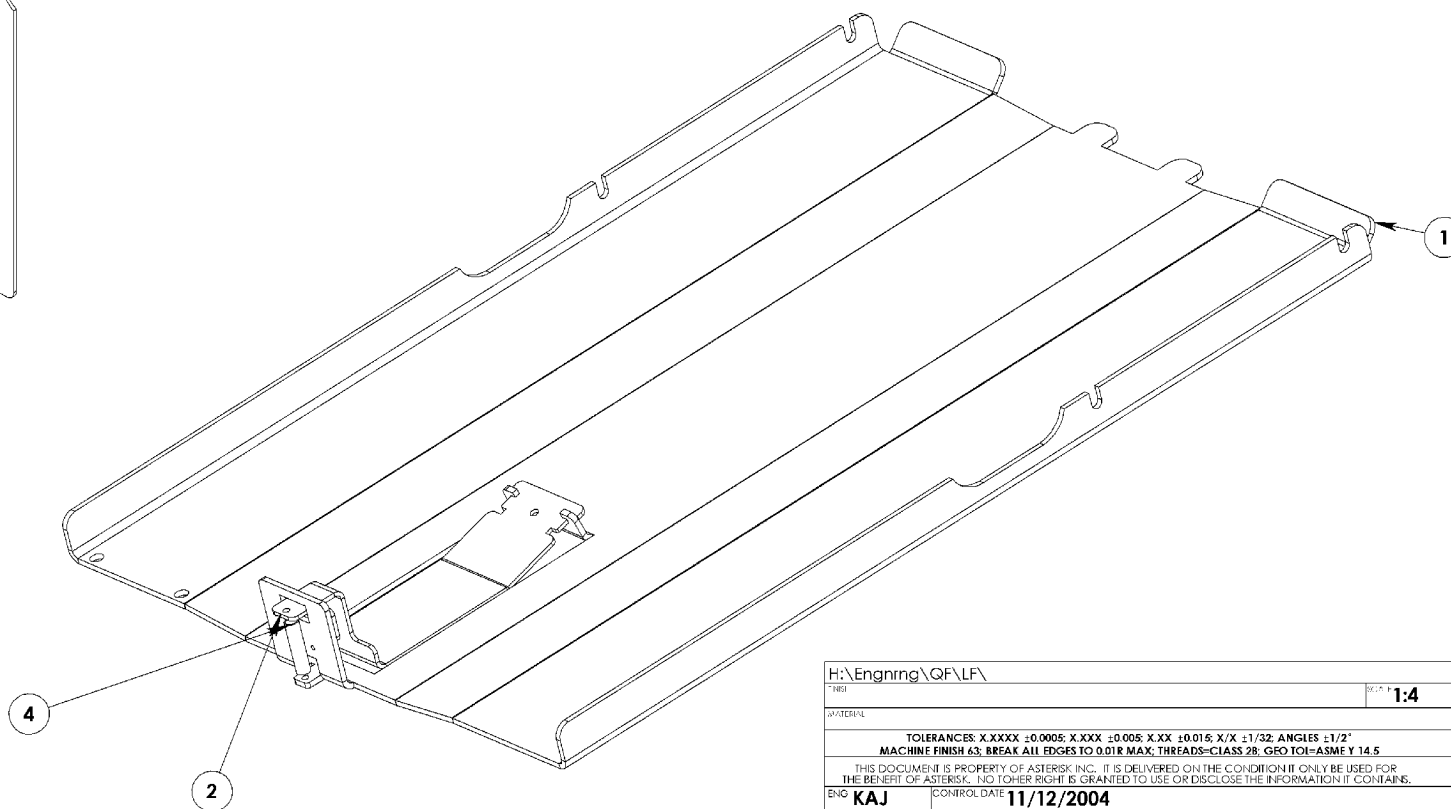
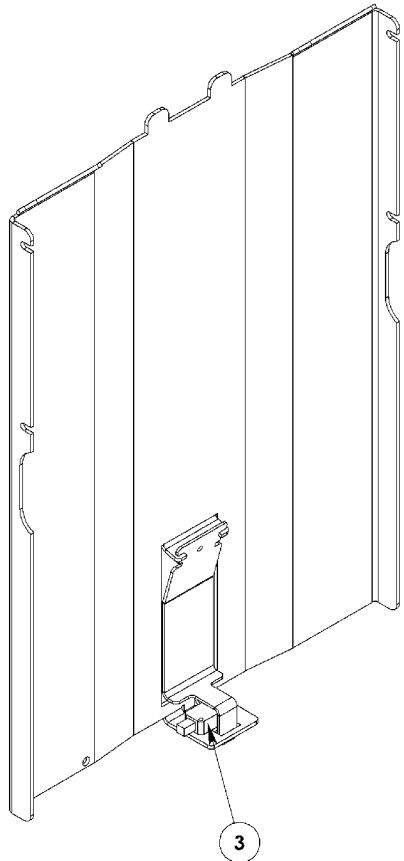


| ITEM NO. | PART NUMBER | DESCRIPTION  | EXPLODED/QTY. |
|----------|-------------|--|---------------|
| 1        | 1722953     | GENEVA STAR WHEEL                                    | 1             |
| 2        | 1722954     | COUPLING HUB   | 1             |
| 3        | 1931522     | COILED SPRING PIN CARBON STEEL, PLAIN FINISH 1/8 X 1 | 3             |
| 4        | 1980486     | FLAT HEAD SOCKET CAP SCREW 18-8 STAINLESS #10-32 X 1 | 2             |
| 5        | 1722955     | SINTERED BRONZE BEARING 1/2 ID X 5/8 OD X 1/2 L      | 2             |



|       |                       |     |   |    |   |
|-------|-----------------------|-----|---|----|---|
| TITLE | INVERTER GENEVA & HUB | SHT | 1 | OF | 1 |
| REV   | ISS27000              | REV | 0 |    |   |

| ITEM NO. | PART NUMBER | DESCRIPTION                   | QTY. |
|----------|-------------|-------------------------------|------|
| 1        | 7707893     | INPUT PAPER STOP              | 1    |
| 2        | 7707915     | STACK W/ACUTATOR BRACKET      | 1    |
| 3        | 7707480     | MINIATURE SWITCH, PIN PLUNGER | 1    |
| 4        | 7707456     | EXTENSION SPRING              | 1    |



H:\Engnrng\QF\LF\

DATE: 11/12/2004

SCALE: 1:4

MATERIAL:

TOLERANCES: X,XXXX ±0.0005; X,XXX ±0.005; X,XX ±0.015; X,X ±1/32; ANGLES ±1/2°  
MACHINE FINISH 63; BREAK ALL EDGES TO 0.01R MAX; THREADS—CLASS 2B; GEO TOL—ASME Y 14.5

THIS DOCUMENT IS PROPERTY OF ASTERISK INC. IT IS DELIVERED ON THE CONDITION IT ONLY BE USED FOR THE BENEFIT OF ASTERISK. NO OTHER RIGHT IS GRANTED TO USE OR DISCLOSE THE INFORMATION IT CONTAINS.

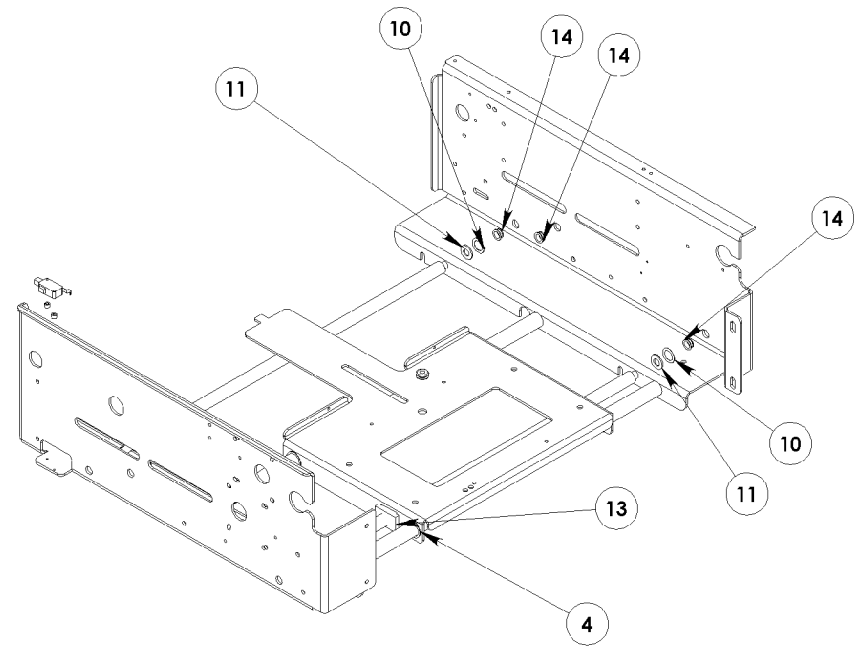
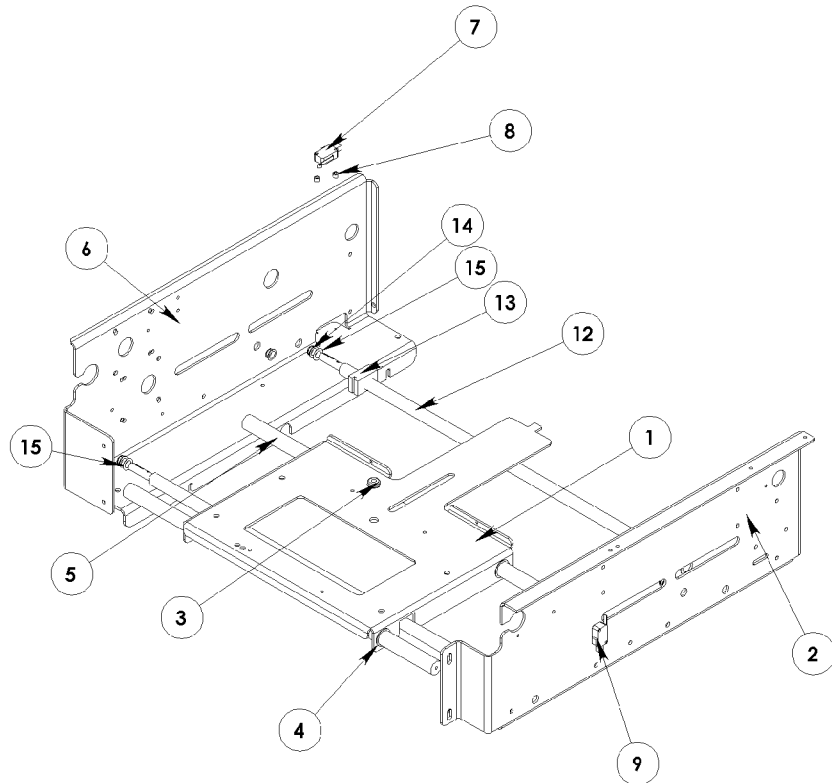
ENG: KAJ CONTROL DATE: 11/12/2004

TITLE: INPUT STOP & PAPER PRES SWITCH SHEET 1 OF 1

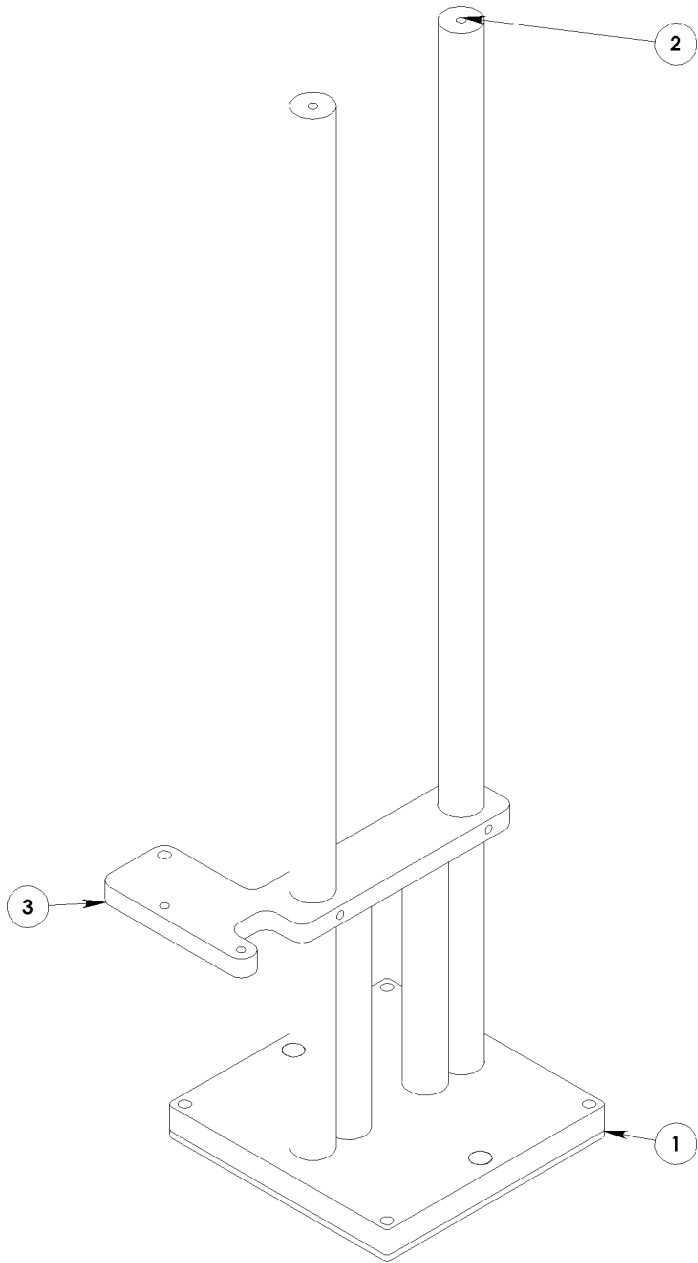
www.asteriskinc.com  
4 Business Park Rd Old Saybrook CT 06475 860.388.3811

ITEM # LFA001000 REV 0

| ITEM NO. | QTY. | PART NO. | DESCRIPTION  |
|----------|------|----------|--|
| 1        | 1    | 7708041  | FEEDER MOUNT DECK  |
| 2        | 1    | 7708040  | RIGHT SIDE FRAME   |
| 3        | 1    | 7707670  | Military Spec Rubber Grommet MS 35489 No. 35 An931, No. A4-7                                 |
| 4        | 4    | 7707486  | SNAP IN NYLINER BEARING NYLON 0.375 ID X 0.437 OD X 0.140L                                   |
| 5        | 2    | 7708042  | FIXED CROSS ROD  |
| 6        | 1    | 7708039  | LEFT SIDE FRAME  |
| 7        | 1    | 7707477  | PSEUDO ROLLER SWITCH   |
| 8        | 2    | 7707639  | Round Spacer, Aluminum, 1/4 OD X #4ID X 3/16L  |
| 9        | 1    | 1771456  | SHORT STRAIGHT BAT MECHANICAL SWITCH   |
| 10       | 2    | 7707595  | 301 Stainless Steel Curved Disc Spring 13/16" Hole, 1/2" Rod, .531" ID, .795" OD, .0170" Thk |
| 11       | 2    | 1925223  | NYLON FLAT WASHER, REGULAR NATURAL COLOR 3/8, 0.390ID X 0.750D X 0.062THK                    |
| 12       | 2    | 7708004  | ADJUST THREADED ROD  |
| 13       | 2    | 7708019  | ACME NUT BLOCK   |
| 14       | 6    | 1953604  | SNAP IN NYLINER BEARING NYLON 0.375 ID X 0.437 OD X 0.140L                                   |
| 15       | 2    | 1722956  | 18-8 Stainless Steel Shim .010" Thick, 3/8" ID, 5/8" OD                                      |

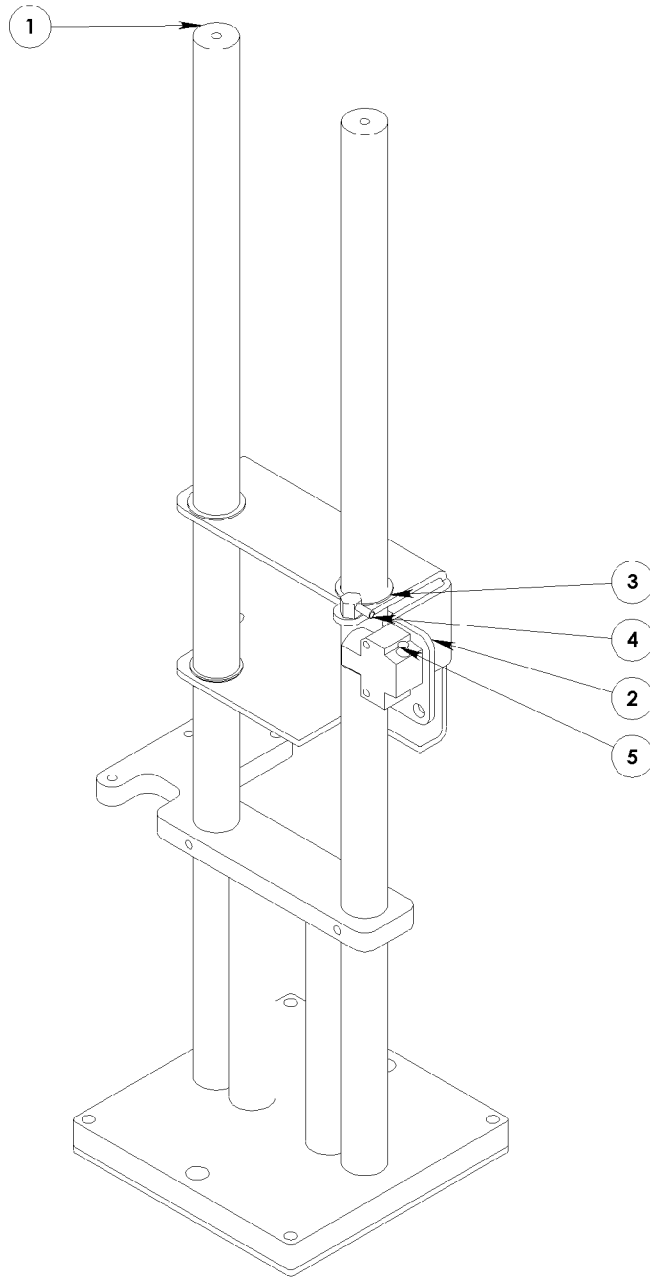


|        |                        |       |   |    |   |
|--------|------------------------|-------|---|----|---|
| TITLE  | LIFT/REG FRAMES (AS#2) | SHEET | 1 | OF | 1 |
| ITEM # | LFS02000               | REV   | 0 |    |   |



| ITEM NO. | QTY. | PART NO. | DESCRIPTION                      |
|----------|------|----------|----------------------------------|
| 1        | 1    | 1722957  | ASSEMBLY TOOL (FACTORY USE ONLY) |
| 2        | 2    | 7708042  | FIXED CROSS ROD                  |
| 3        | 1    | 7708071  | STRUT                            |

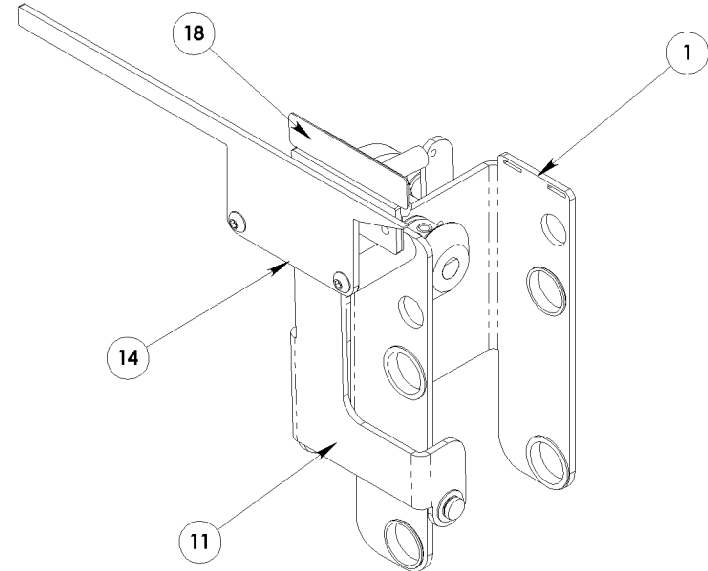
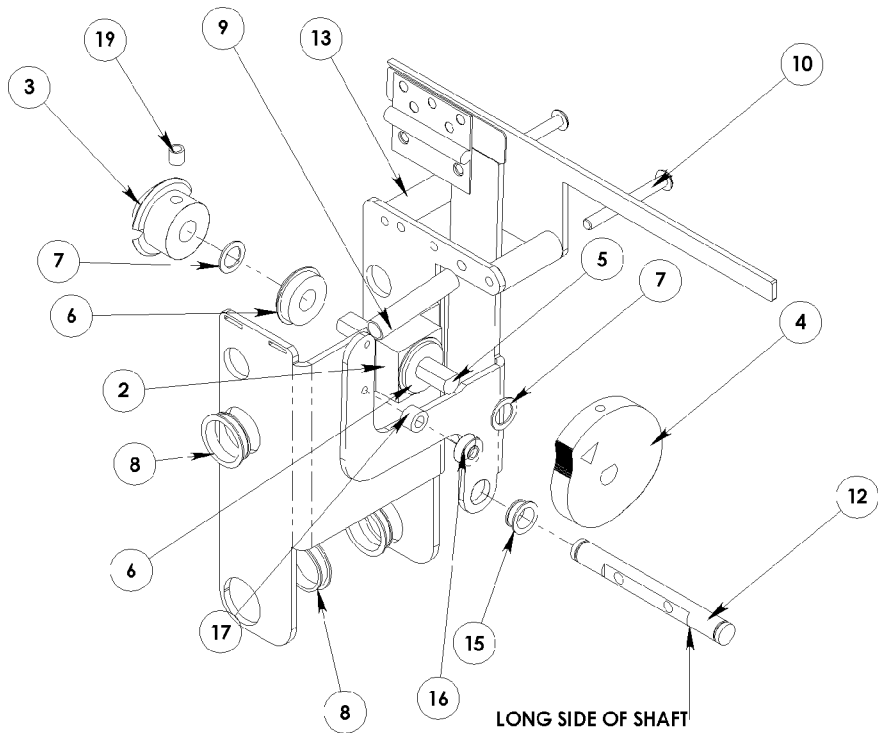
|        |                         |     |     |    |   |
|--------|-------------------------|-----|-----|----|---|
| TITLE  | LIFT/REG SHAFTS (AS #3) | SHT | 1   | OF | 1 |
| ITEM # | LFS03000                |     | REV |    |   |



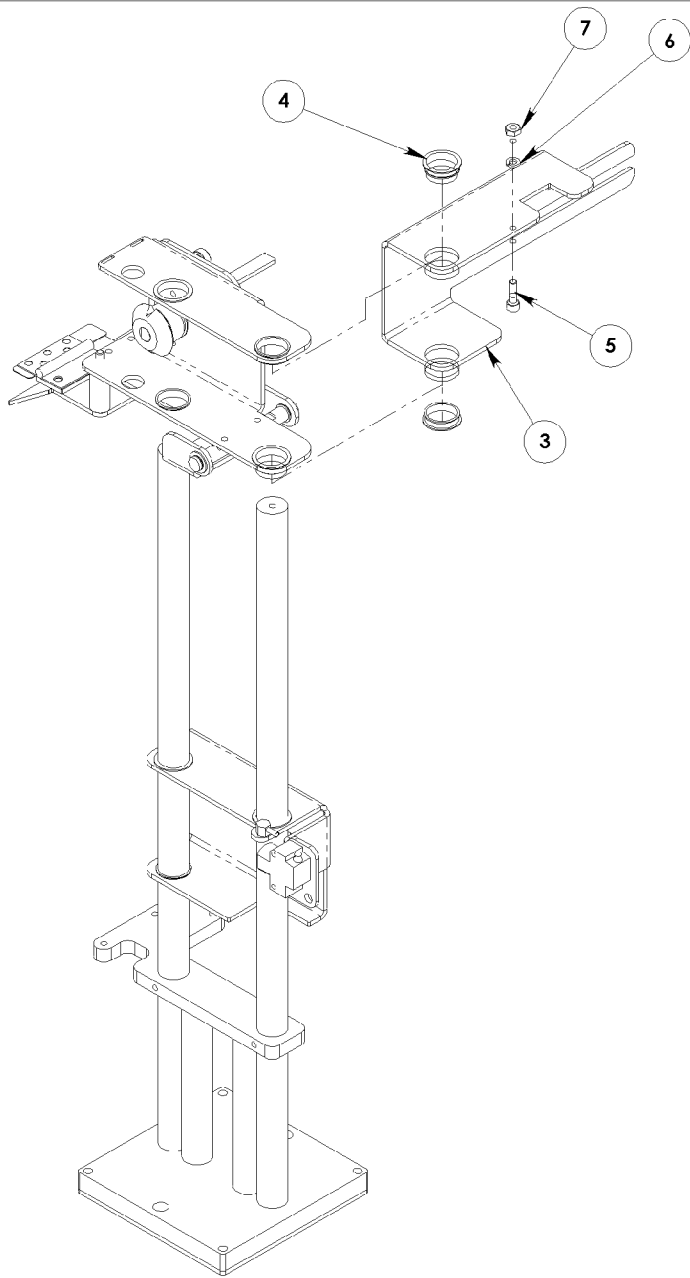
| WQTY. | PART NO.     | DESCRIPTION  |
|-------|--------------|--|
| 1     | 1            | ASSEMBLY TOOL (FACTORY USE ONLY)                           |
| 2     | 1 7708068    | SUPPORT BRACKET  |
| 3     | 3 7707486    | SNAP IN NYLINER BEARING NYLON 0.375 ID X 0.437 OD X 0.140L |
| 4     | 1 0482004200 | MALE ELBOW BARB FITTING BRASS 1/8IDT X #10-32              |
| 5     | 1 7707521    | Photoelectric sensor, Polarized Retroreflective, NPN, Dark |

|        |                                |       |   |    |   |
|--------|--------------------------------|-------|---|----|---|
| TITLE  | LIFT/REG SENSOR BRACKET (AS#4) | SHEET | 1 | OF | 1 |
| ITEM # | LFS04000                       | REV   |   |    |   |

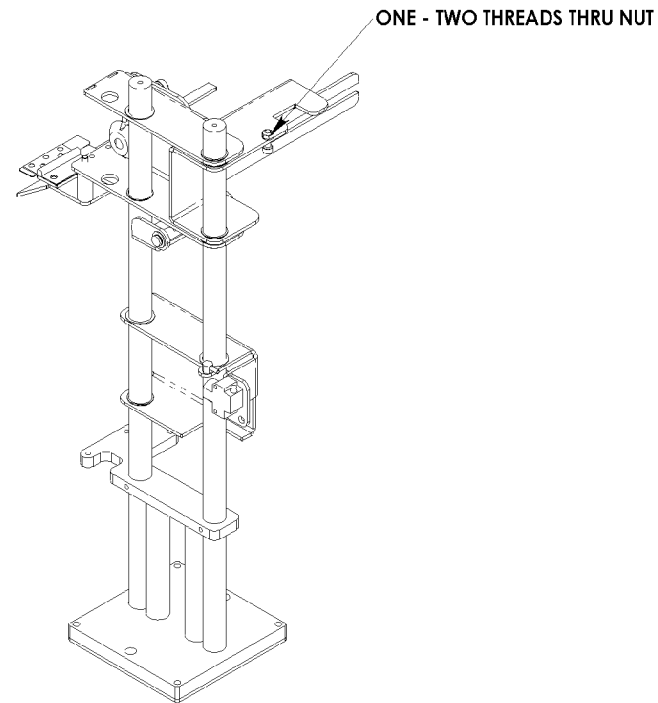
| ITEM NO. | QTY. | PART NO. | DESCRIPTION  |
|----------|------|----------|--|
| 1        | 1    | 7708043  | LEFT JUSTIFY BRACKET   |
| 2        | 1    | 7708027  | BEARING BLOCK  |
| 3        | 1    | 7708062  | BEVEL GEAR W/ SS AND BORE  |
| 4        | 1    | 7708008  | SIDE JOG CAM   |
| 5        | 1    | 7708010  | GEAR CAM SHAFT   |
| 6        | 2    | 7707510  | 3/8 ID X 7/8 OD FLANGED RADIAL BALL BEARING                                |
| 7        | 2    | 7707432  | STEEL ADJUSTING SHIM 3/8 ID X 1/2 OD X 0.005 THICK                         |
| 8        | 4    | 7707486  | SNAP IN NYLINER BEARING NYLON 0.375 ID X 0.437 OD X 0.140L                 |
| 9        | 1    | 7707452  | EXT spring 0.034 X 0.360 X 1.75 MUSIC                                      |
| 10       | 2    | 7707600  | BHCS SS #10-32 X 3/4   |
| 11       | 1    | 7708048  | LEFT JUSTIFY BRACKET   |
| 12       | 1    | 7708049  | PIVOT SHAFT  |
| 13       | 2    | 7708026  | SHORT SPACER   |
| 14       | 1    | 7708025  | DECK BAR   |
| 15       | 2    | 1953604  | SNAP IN NYLINER BEARING NYLON 0.375 ID X 0.437 OD X 0.140L                 |
| 16       | 1    | 9950062  | RADIAL BALL BEARING 3/16 ID 1/2 OD SEALED AND SHEILDED WITH EXT INNER RACE |
| 17       | 1    | 7707641  | Aluminum Unthreaded Round Spacer 3/8" OD, 1/4" Length, #10 Screw Size      |
| 18       | 1    | 7708088  | HINGED JOGGER WELDMENT   |
| 19       | 1    | 7707631  | 18-8 SS Screw-Lock Helical Insert 10-32 Internal Thread, .285" Length      |



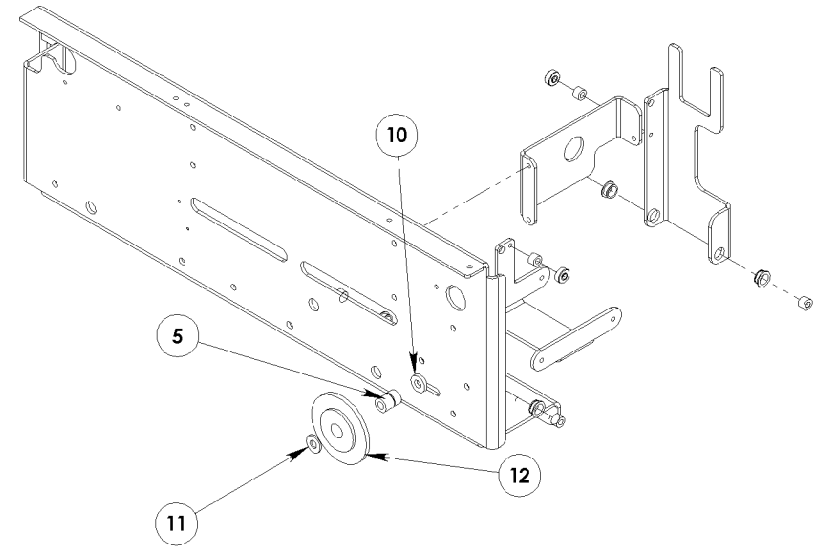
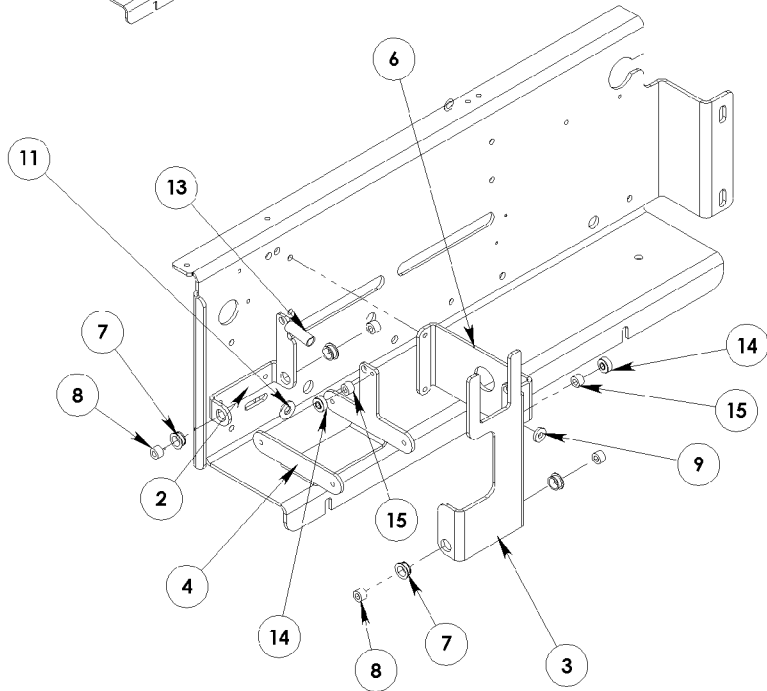
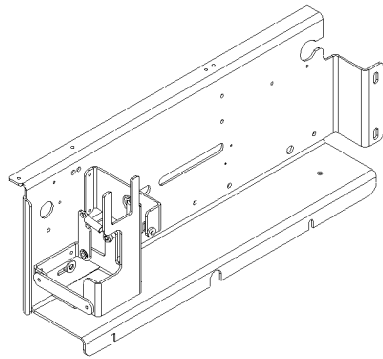
|        |                              |       |   |    |   |
|--------|------------------------------|-------|---|----|---|
| TITLE  | LIFT/REG LEFT JUSTIFY (AS#5) | SHEET | 1 | OF | 1 |
| ITEM # | LFS05000                     | REV   | 0 |    |   |



| ITEM NO. | QTY. | PART NO.   | DESCRIPTION  |
|----------|------|------------|--|
| 1        | 1    | LF-PRSTEP4 | SEE LFS04000   |
| 2        | 1    | LF-PRSTEP5 | SEE LFS05000   |
| 3        | 1    | 7708044    | ADJUSTMENT TRANSFER BRACKET                                |
| 4        | 2    | 7707486    | SNAP IN NYLINER BEARING NYLON 0.375 ID X 0.437 OD X 0.140L |
| 5        | 1    | 1722958    | SOCKET CAP SCREW 18-8 STAINLESS #10-32 X 5/8               |
| 6        | 1    | 1926063    | SPRING LOCK WASHER REGULAR, 18-8 STAINLESS #10             |
| 7        | 1    | 1980702    | HEX NUT 18-8 STAINLESS #10-32                              |



|        |   |       |   |    |   |
|--------|---|-------|---|----|---|
| TITLE  | LIFT/REG ADJUSTMENT TRANSFER BRACKET (AS#6) | SHEET | 1 | OF | 1 |
| ITEM # | LFS06000                                    | REV   | 0 |    |   |

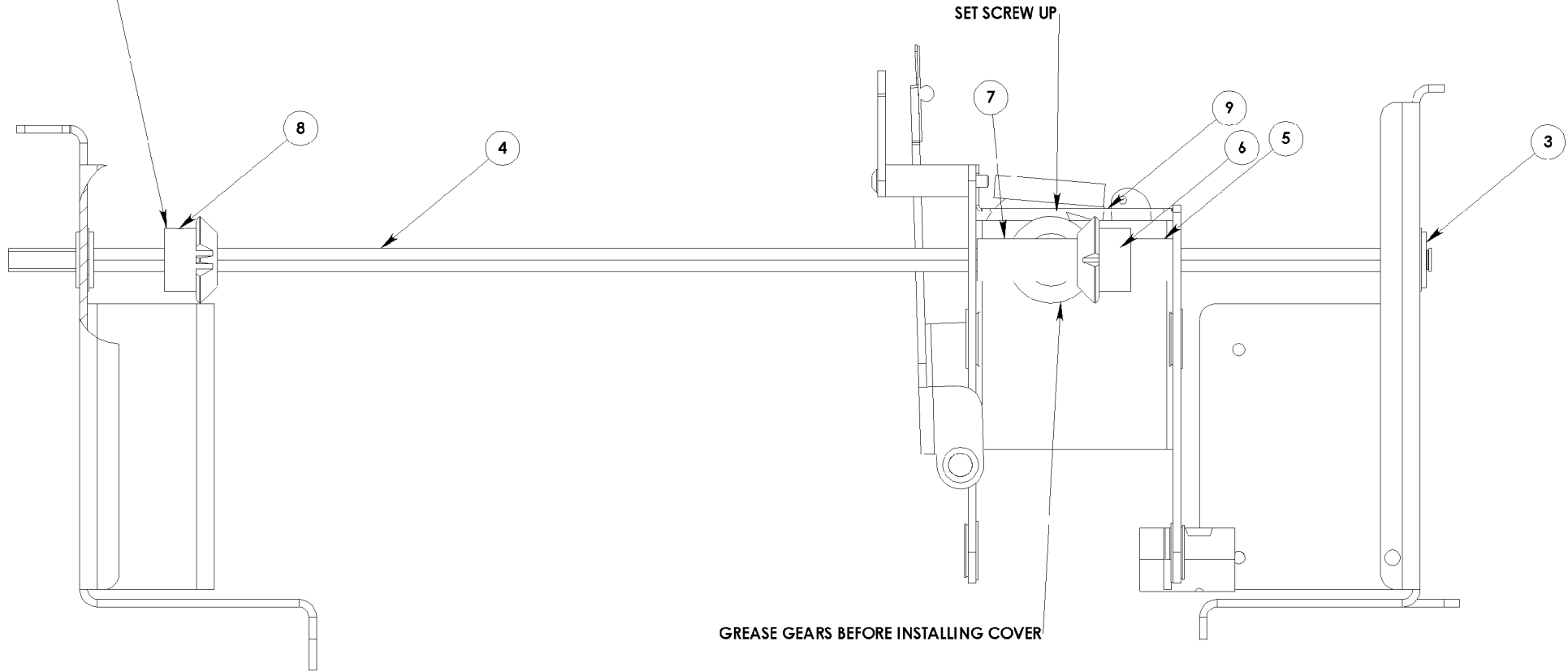


| ITEM NO. | QTY. | PART NO.   | DESCRIPTION  |
|----------|------|------------|--|
| 1        | 1    | LF-PRSTEP2 | SEE LFS02000   |
| 2        | 1    | 7708047    | EXIT MOUNT BRACKET   |
| 3        | 1    | 7708045    | RIGHT JUSTIFY BRACKET  |
| 4        | 1    | 7708046    | EXIT PIVOT BRACKET   |
| 5        | 1    | 7708065    | DRIVE IDLER SHAFT  |
| 6        | 1    | 7708064    | SHAFT BRACKET  |
| 7        | 4    | 1953604    | SNAP IN NYLINER BEARING NYLON 0.375 ID X 0.437 OD X 0.140L                           |
| 8        | 4    | 7707645    | ROUND SPACER, ZINC PLATED STEEL, 3/8OD X #10ID X 1/4LOD, 1/4" Length, #10 Screw Size |
| 9        | 1    | 1925080    | FFW CHS 1/4  |
| 10       | 1    | 1925081    | FFW CHS 1/4  |
| 11       | 2    | 1925069    | 1/4 FLAT WASHER  |
| 12       | 1    | 7707550    | 19T #35 ROLLER CHAIN IDLER SPROCKET  |
| 13       | 1    | 7707503    | EXT spring 0.041 X 0.36 X 1.00 MUSIC   |
| 14       | 2    | 9950062    | RADIAL BALL BEARING 3/16 ID 1/2 OD SEALED AND SHEILDLED WITH EXT INNER RACE          |
| 15       | 2    | 7707641    | Aluminum Unthreaded Round Spacer 3/8" OD, 1/4" Length, #10 Screw Size                |



| ITEM NO. | QTY. | PART NO.   | DESCRIPTION                                 |
|----------|------|------------|---|
| 1        | 1    | LF-PRSTEP2 | SEE LFS02000                                |
| 2        | 1    | LF-PRSTEP5 | SEE LFS05000                                |
| 3        | 2    | 7707510    | 3/8 ID X 7/8 OD FLANGED RADIAL BALL BEARING |
| 4        | 1    | 7708005    | FIXED HEX SHAFT                             |
| 5        | 1    | 7708028    | GEAR SPACER E                               |
| 6        | 1    | 7708061    | HEX BEVEL GEAR                              |
| 7        | 1    | 7708029    | GEAR SPACER F                               |
| 8        | 1    | 7708060    | HEX BEVEL GEAR W/ SS                        |
| 9        | 1    | 7708084    | DUST COVER                                  |

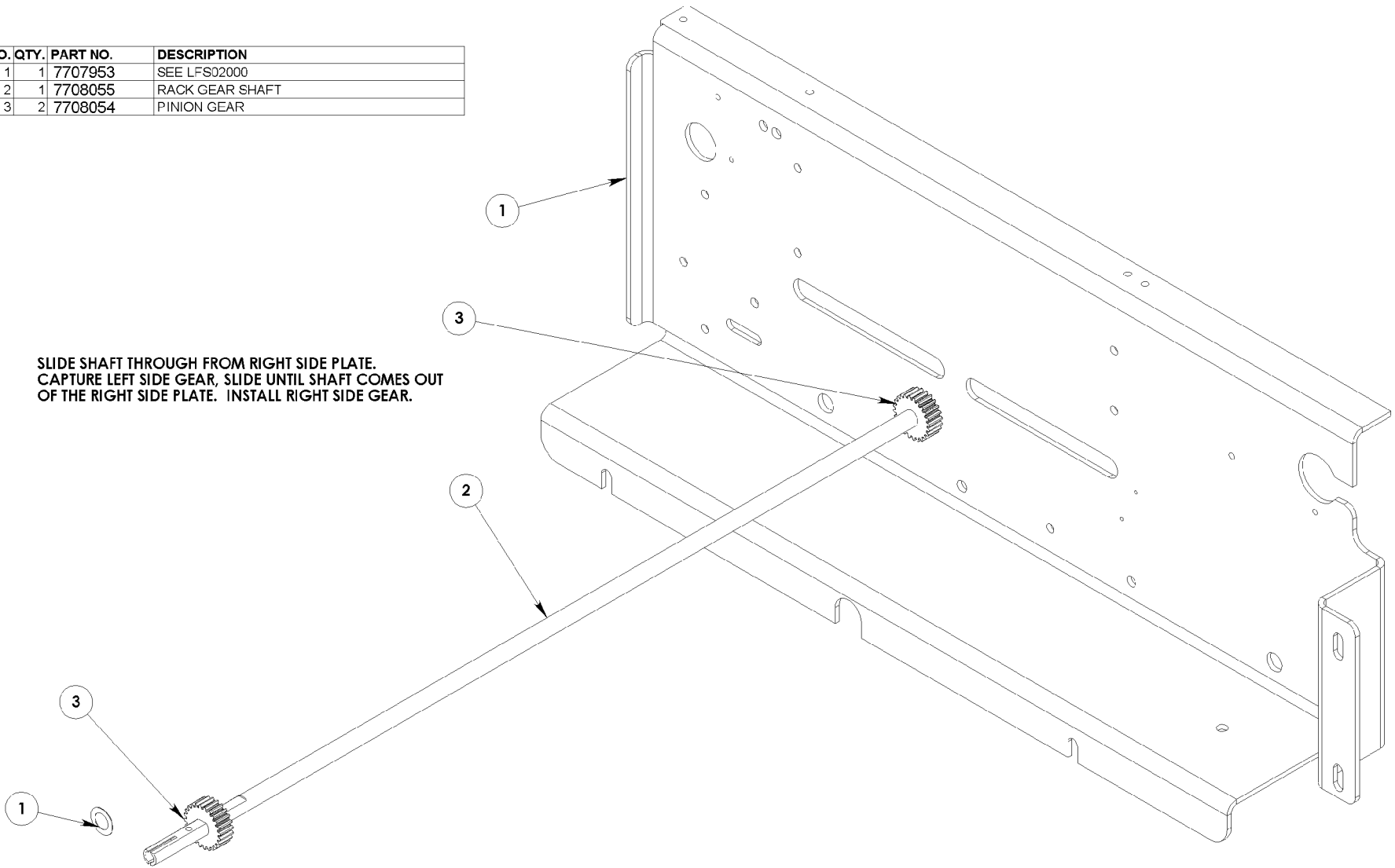
DO NOT SECURE



|        |                                 |       |   |    |   |
|--------|---------------------------------|-------|---|----|---|
| TITLE  | LIFT/REG FIXED HEX SHAFT (AS#9) | SHEET | 1 | OF | 1 |
| ITEM # | LFS09000                        | REV   | 0 |    |   |

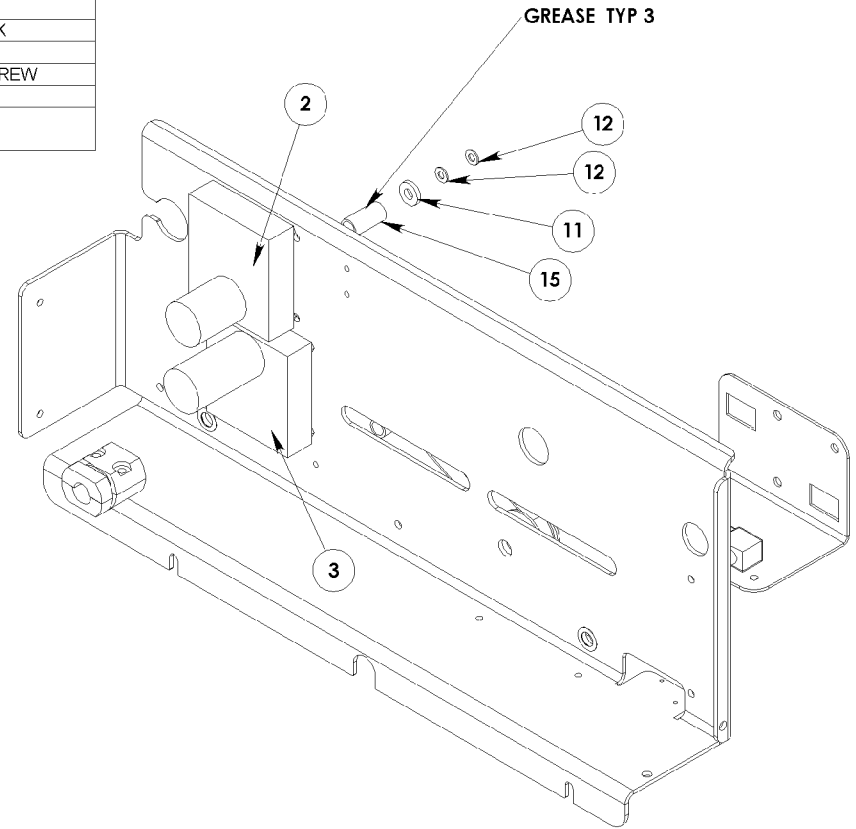
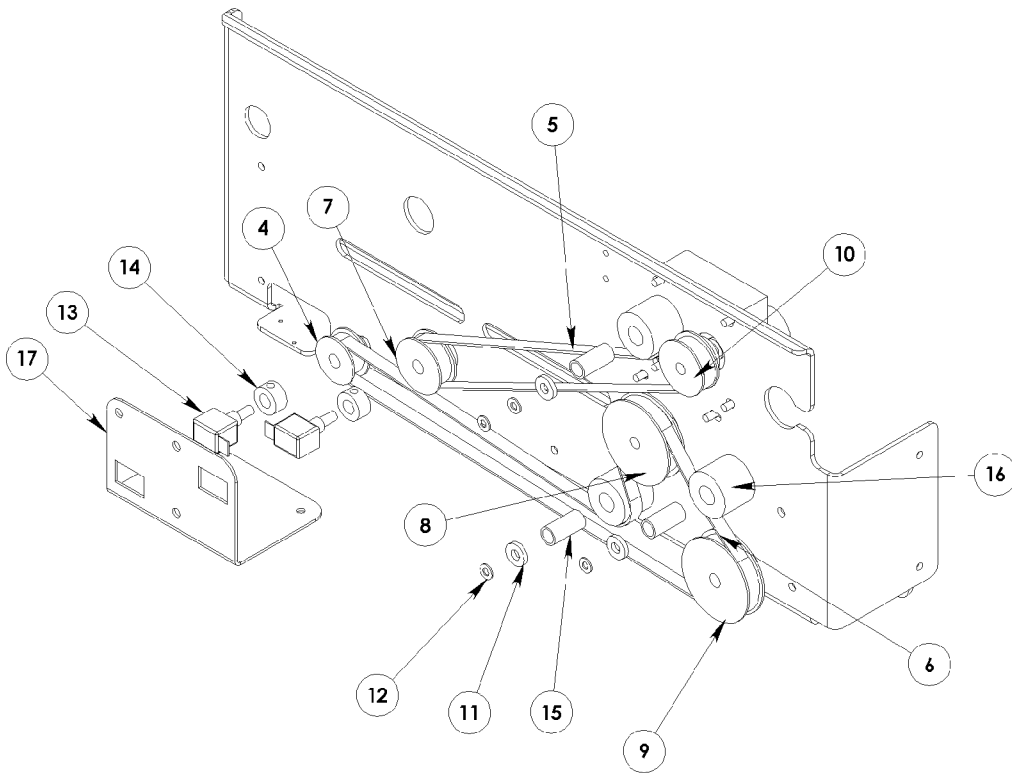
| ITEM NO. | QTY. | PART NO. | DESCRIPTION     |
|----------|------|----------|-----------------|
| 1        | 1    | 7707953  | SEE LFS02000    |
| 2        | 1    | 7708055  | RACK GEAR SHAFT |
| 3        | 2    | 7708054  | PINION GEAR     |

SLIDE SHAFT THROUGH FROM RIGHT SIDE PLATE.  
 CAPTURE LEFT SIDE GEAR, SLIDE UNTIL SHAFT COMES OUT  
 OF THE RIGHT SIDE PLATE. INSTALL RIGHT SIDE GEAR.

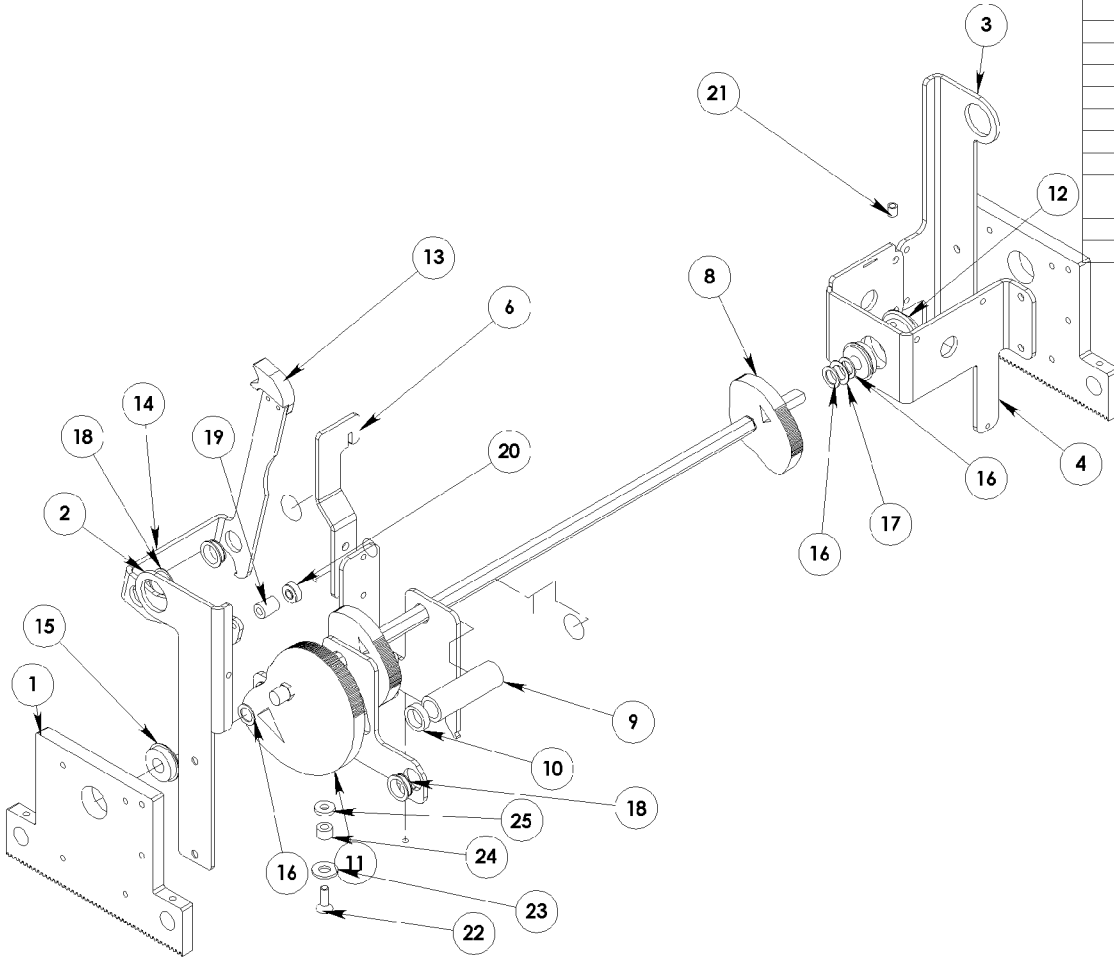
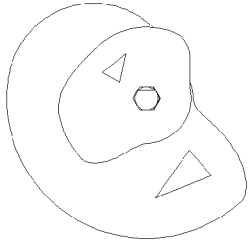


|        |                            |       |   |    |   |
|--------|----------------------------|-------|---|----|---|
| TITLE  | LIFT/REG RACK GEAR (AS#10) | SHEET | 1 | OF | 1 |
| ITEM # | LFS10000                   | REV   | 0 |    |   |

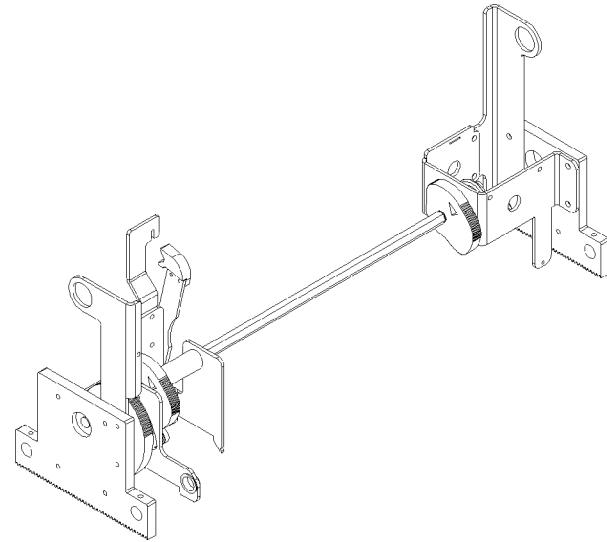
| ITEM NO. | QTY. | PART NO. | DESCRIPTION   |
|----------|------|----------|---|
| 1        | 1    | 7707953  | SEE LFS02000  |
| 2        | 1    | 7707529  | 24 VOLT DC GEARMOTOR 4 RPM 50 IN-LB                                       |
| 3        | 1    | 1722932  | 24 VOLT DC GEARMOTOR 25 RPM 50 IN-LB                                      |
| 4        | 1    | 7708063  | PINNED 16XL TIMING PULLEY   |
| 5        | 1    | 7707489  | 240XL037 TIMING BELT NEOPRENE 3/8 WIDE 1/5 PITCH                          |
| 6        | 1    | 7707490  | 360XL037 NEOPRENE TIMING BELT 1/5 PITCH                                   |
| 7        | 1    | 7708053  | PINNED TIMING PULLEY  |
| 8        | 1    | 7707688  | TIMING PULLEY CLR ANOD ALUM 32XL037, 5/16B                                |
| 9        | 1    | 7707689  | TIMING PULLEY 32XL W/SS   |
| 10       | 1    | 1771376  | TIMING PULLEY CLR ANOD ALUM 20XL037, 5/16B                                |
| 11       | 3    | 1925081  | FFW CHS 1/4   |
| 12       | 4    | 1925060  | FLAT WASHER MS 15795 MIL, STAINLESS #10, 0.219ID X 0.438OD X 0.065THK     |
| 13       | 2    | 7707482  | Optical Rotary Encoder  |
| 14       | 2    | 7707636  | 3/8ID X 3/4OD X 3/8W SHAFT COLLAR ZINC PLATED STEEL WITH 1/4-20 SET SCREW |
| 15       | 3    | 7708031  | DRIVE IDLER SHAFT   |
| 16       | 3    | 7708052  | IDLER   |
| 17       | 1    | 7708036  | ENCODER MOUNT BRACKET   |



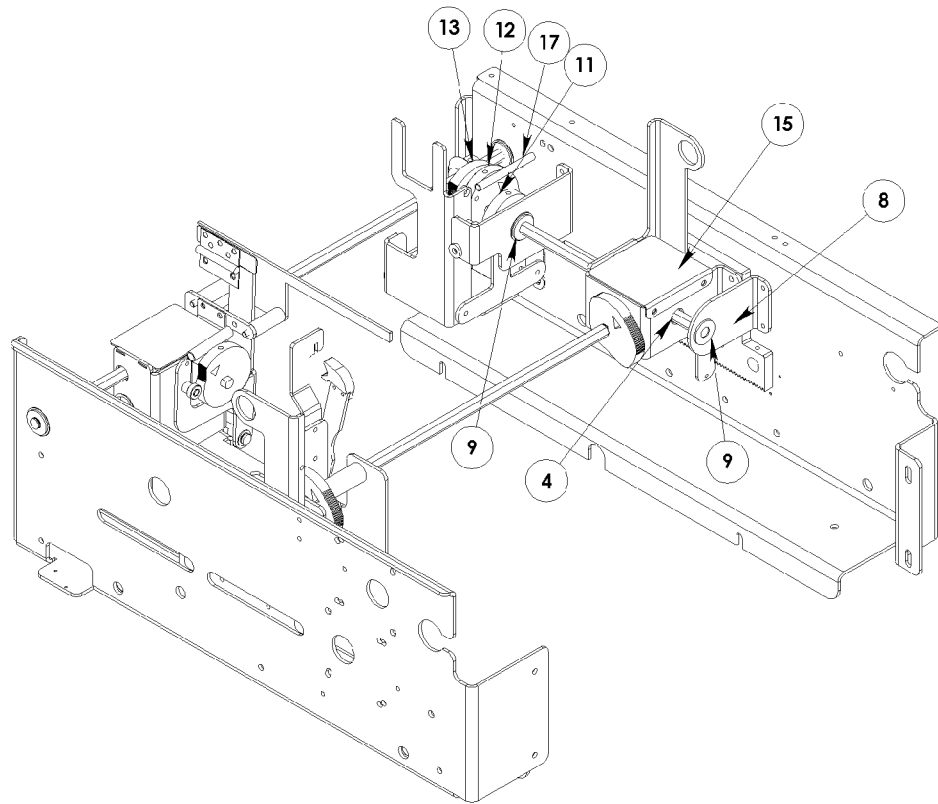
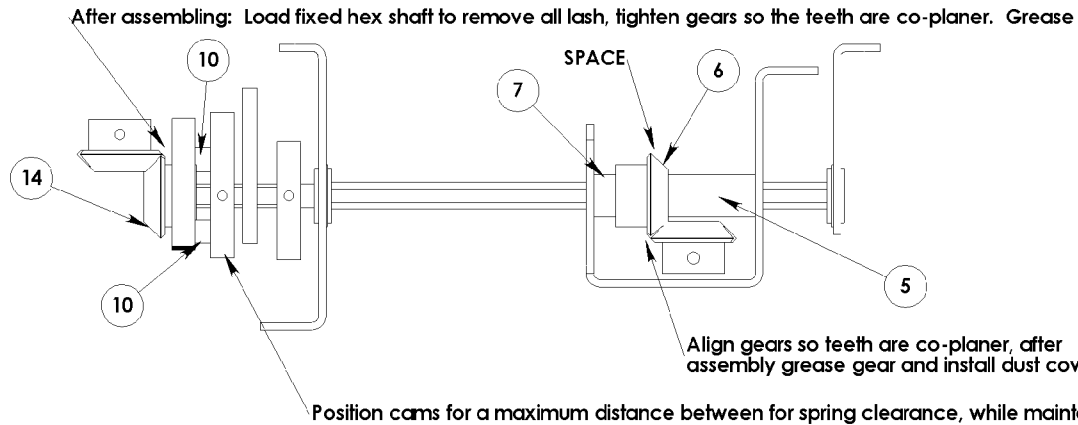
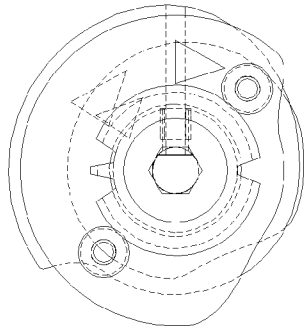
|        |                               |       |   |    |   |
|--------|-------------------------------|-------|---|----|---|
| TITLE  | LIFT/REG ADJUST DRIVE (AS#11) | SHEET | 1 | OF | 1 |
| ITEM # | LFS11000                      | REV   | 0 |    |   |



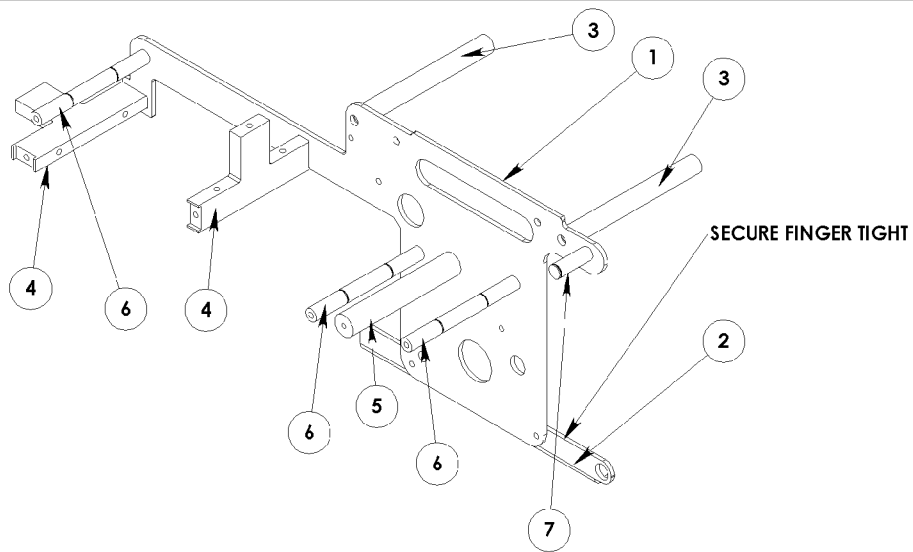
| ITEM NO. | QTY. | PART NO. | DESCRIPTION   |
|----------|------|----------|---|
| 1        | 2    | 7708056  | RACK  |
| 2        | 1    | 7708038  | TOWER LH  |
| 3        | 1    | 7708035  | TOWER RH  |
| 4        | 1    | 7708057  | RIGHT ANGLE BRACKET   |
| 5        | 1    | 7708018  | LEFT REAR MOUNT BRACKET   |
| 6        | 1    | 7708037  | KICKER LOCATOR BRACKET  |
| 7        | 1    | 7708059  | ADJUSTED HEX SHAFT  |
| 8        | 2    | 7708016  | REAR JOG CAM  |
| 9        | 1    | 7708030  | LEFT REAR CAM SPACER  |
| 10       | 1    | 7708011  | CAM SPACER  |
| 11       | 1    | 7708079  | ASS KICKER CAM  |
| 12       | 1    | 7708062  | BEVEL GEAR W/ SS AND BORE   |
| 13       | 1    | 7708032  | LEFT REAR JOG BLOCK   |
| 14       | 1    | 7708017  | REAR LEFT JUSTIFY BRACKET   |
| 15       | 2    | 7707510  | 3/8 ID X 7/8 OD FLANGED RADIAL BALL BEARING   |
| 16       | 3    | 7707432  | STEEL ADJUSTING SHIM 3/8 ID X 1/2 OD X 0.005 THICK  |
| 17       | 1    | 7707594  | Grade 1074 Hi-Carbon Steel Curved Disc Spring 5/8" Hole, 3/8" Rod, .400" ID, .612" OD, .0130" Thk |
| 18       | 5    | 1730540  | SNAP IN NYLINER BEARING NYLON 0.375 ID X 0.437 OD X 0.140L  |
| 19       | 1    | 7707645  | ROUND SPACER ALUMINUM 3/8 OD X #10 X 1/2 L  |
| 20       | 1    | 9950062  | RADIAL BALL BEARING 3/16 ID 1/2 OD SEALED AND SHEILDED WITH EXT INNER RACE                        |
| 21       | 1    | 7707631  | 18-8 SS Screw-Lock Helical Insert 10-32 Internal Thread, .285" Length                             |
| 22       | 1    | 1980483  | FHSC SS #10-32 X 5/8  |
| 23       | 1    | 1925069  | 1/4 FLAT WASHER   |
| 24       | 1    | 7707645  | ROUND SPACER, ZINC PLATED STEEL, 3/8OD X #10ID X 1/4LOD, 1/4" Length, #10 Screw Size              |
| 25       | 1    | 1925080  | FFW CHS 1/4   |



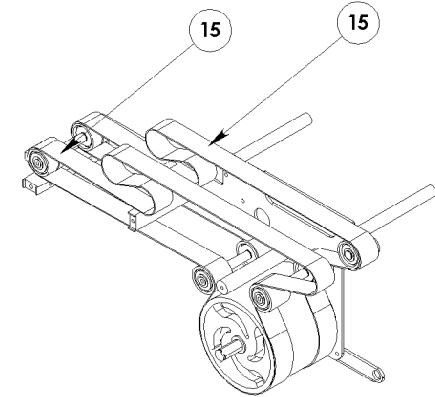
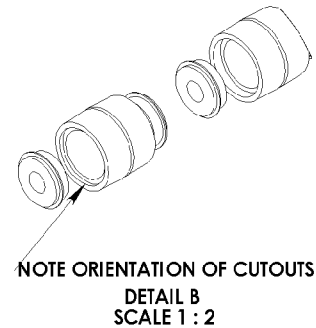
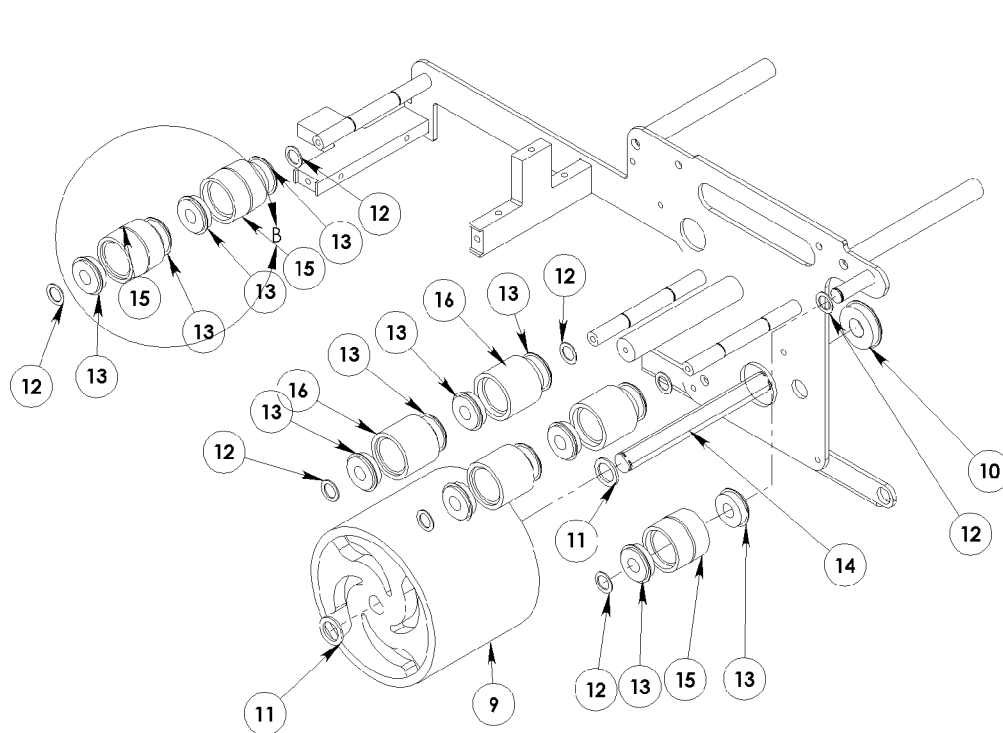
|        |                                    |       |   |    |   |
|--------|------------------------------------|-------|---|----|---|
| TITLE  | LIFT/REG LEFT REAR JUSTIFY (AS#12) | SHEET | 1 | OF | 1 |
| ITEM # | LFS12000                           | REV   | 0 |    |   |



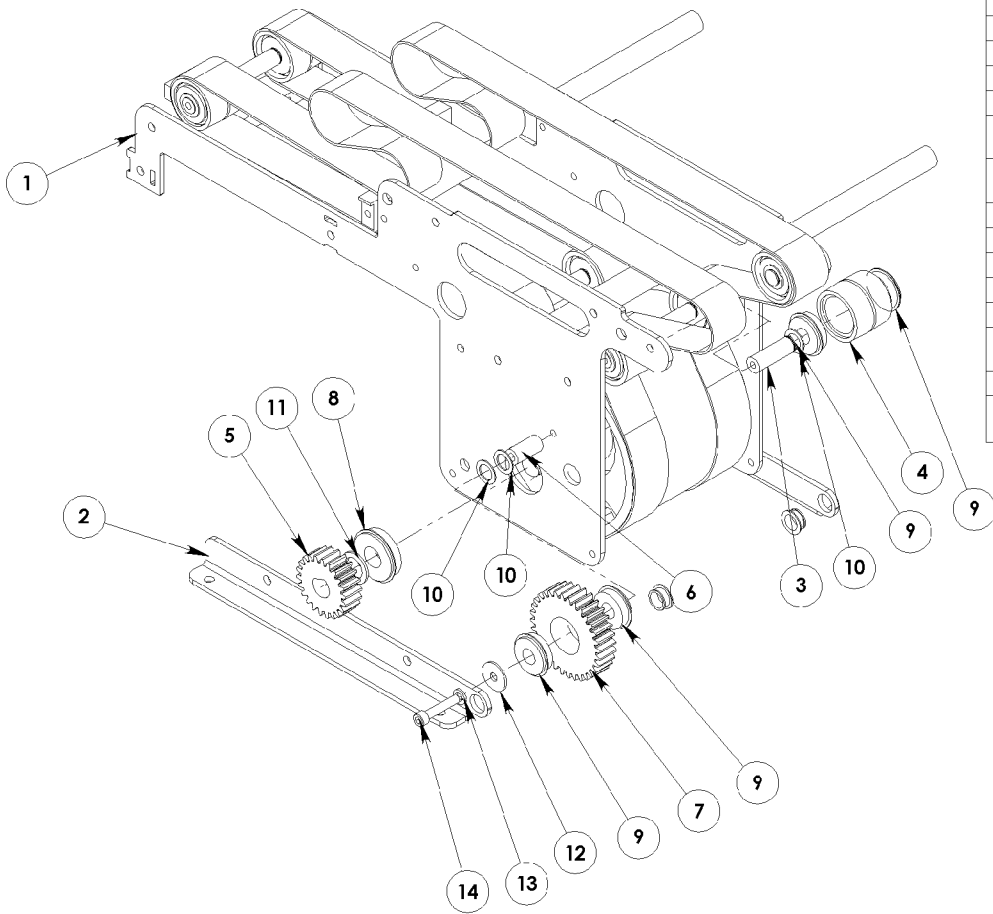
| ITEM NO. | PART NUMBER | DESCRIPTION   | Default/QTY. | RIGHT HEX SHAFT/QTY. |
|----------|-------------|---|--------------|----------------------|
| 1        | LF-PRSTEP8  | SEE LFS08000  | 1            | -                    |
| 2        | LF-PRSTEP9  | SEE LFS09000  | 1            | -                    |
| 3        | LF-PRSTEP12 | SEE LFS12000  | 1            | -                    |
| 4        | 7708009     | RIGHT HEX SHAFT   | 1            | 1                    |
| 5        | 7708024     | GEAR SPACER B   | 1            | 1                    |
| 6        | 7708061     | HEX BEVEL GEAR  | 1            | 1                    |
| 7        | 7708023     | GEAR SPACER A   | 1            | 1                    |
| 8        | 7708022     | SHAFT BRACKET   | 1            | 1                    |
| 9        | 7707510     | 3/8 ID X 7/8 OD FLANGED RADIAL BALL BEARING                           | 2            | 2                    |
| 10       | 7707641     | Aluminum Unthreaded Round Spacer 3/8" OD, 1/4" Length, #10 Screw Size | 2            | 2                    |
| 11       | 7708007     | EXIT IN/OUT CAM   | 1            | 1                    |
| 12       | 7708006     | EXIT UP/DOWN CAM  | 1            | 1                    |
| 13       | 7708073     | INVERTER NIP CAM  | 1            | 1                    |
| 14       | 7708062     | BEVEL GEAR W/ SS AND BORE   | 1            | 1                    |
| 15       | 7708085     | DUST COVER  | 1            | -                    |
| 16       | 7707631     | 18-8 SS Screw-Lock Helical Insert 10-32 Internal Thread, .285" Length | 1            | 1                    |
| 17       | 7707447     | EXT spring 0.022 X 0.240 X 2.50 MUSIC                                 | 1            | 1                    |



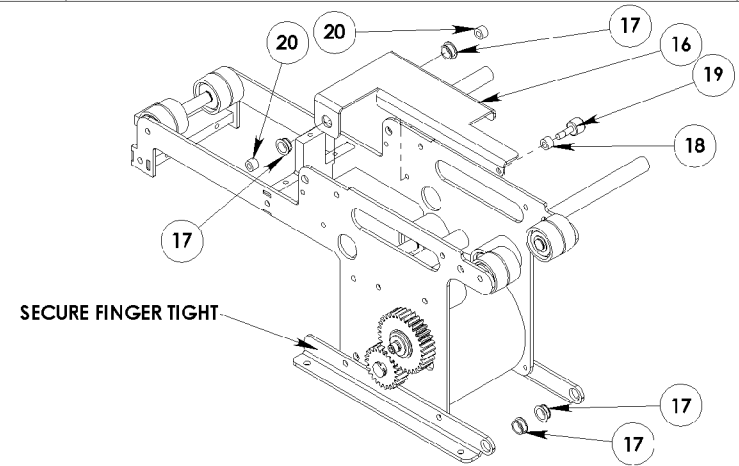
| ITEM NO. | PART NUMBER | DESCRIPTION   | WITH PULLEYS/ QTY. |
|----------|-------------|---|--------------------|
| 1        | 7707878     | INNER FRAME PLATE   | 1                  |
| 2        | 7707925     | CENTER MOUNT BRACKET, RIGHT   | 1                  |
| 3        | 7707883     | CENTER STANDOFF   | 2                  |
| 4        | 7707935     | TEE   | 2                  |
| 5        | 7707898     | STANDOFF  | 1                  |
| 6        | 7708066     | ROLLER SHAFT SHORT  | 1                  |
| 7        | LF-PRSTEP1  | ASSEMBLY STEP 1   | 1                  |
| 8        | 1771425     | Radial Ball Bearing   | 1                  |
| 9        | 1925230     | NYLON FLAT WASHER, REGULAR NATURAL COLOR 1/2, 0.505 X 0.750 X 0.062 THK | 2                  |
| 10       | 7707432     | STEEL ADJUSTING SHIM 3/8 ID X 1/2 OD X 0.005 THICK                      | 8                  |
| 11       | 7707510     | 3/8 ID X 7/8 OD FLANGED RADIAL BALL BEARING                             | 14                 |
| 12       | 7707882     | FLAT BELT DRIVE SHAFT   | 1                  |
| 13       | 7708012     | CROWNED FLAT BELT PULLEY  | 3                  |
| 14       | 7708021     | FLAT BELT IDLER PULLEY  | 4                  |
| 15       | 7707556     | 1.0 WIDE X 50.36 LONG FLAT BELT   | 2                  |
| 16       | 1722959     | DUAL PULLEY SHAFT   | 3                  |



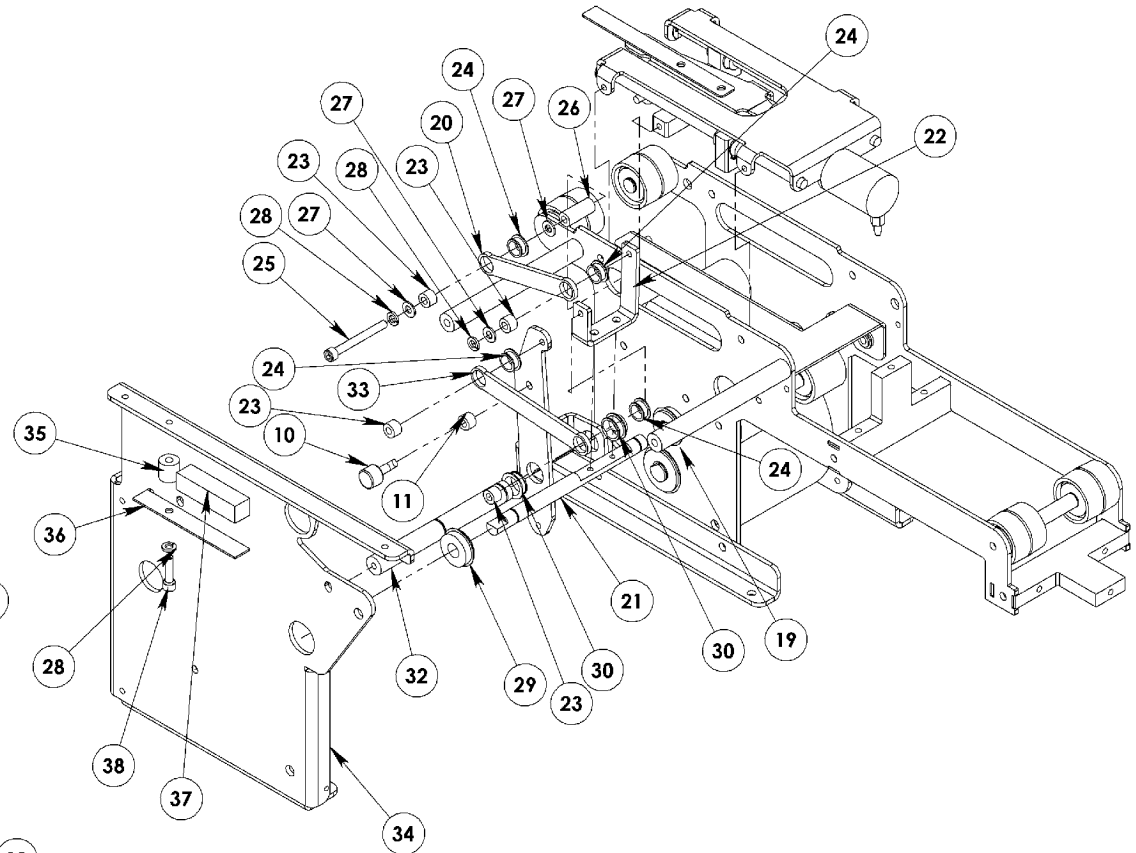
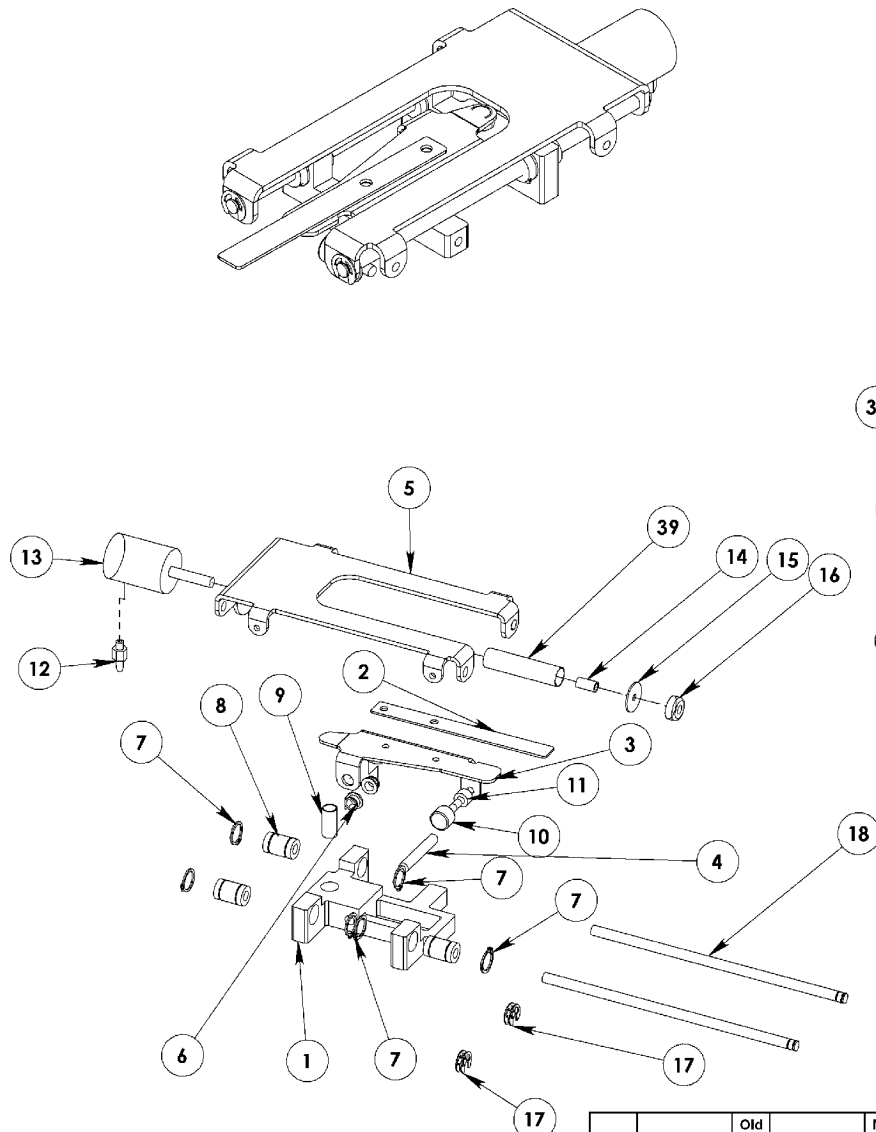
|          |                        |     |   |    |   |
|----------|------------------------|-----|---|----|---|
| TITLE    | LIFT/REG BELTS (AS#14) | SHT | 1 | OF | 1 |
| REV      |                        |     |   |    |   |
| ITEM #   |                        |     |   |    | 0 |
| LFS14000 |                        |     |   |    |   |



| ITEM NO. | PART NUMBER | DESCRIPTION  | WITHOUT BELTS/QTY. |
|----------|-------------|--|--------------------|
| 1        | 7707878     | INNER FRAME PLATE  | 1                  |
| 2        | 7707924     | CENTER MOUNT BRACKET   | 1                  |
| 3        | 7708066     | ROLLER SHAFT SHORT   | 1                  |
| 4        | 7708012     | CROWNED FLAT BELT PULLEY   | 1                  |
| 5        | 7707913     | DRIVEN GEAR  | 1                  |
| 6        | 7708012     | GEAR STUB SHAFT  | 1                  |
| 7        | 7707913     | INTERMEDIATE GEAR  | 1                  |
| 8        | 1771425     | Radial Ball Bearing  | 1                  |
| 9        | 7707510     | 3/8 ID X 7/8 OD FLANGED RADIAL BALL BEARING  | 4                  |
| 10       | 7707432     | STEEL ADJUSTING SHIM 3/8 ID X 1/2 OD X 0.005 THICK                                   | 3                  |
| 11       | 1925230     | NYLON FLAT WASHER, REGULAR NATURAL COLOR 1/2, 0.505 X 0.750 X 0.062 THK              | 1                  |
| 12       | 1925604     | FENDER WASHER 18-8 STAINLESS #10, 13/64ID X 11/16OD X 0.050THK                       | 1                  |
| 13       | 1926063     | SPRING LOCK WASHER REGULAR, 18-8 STAINLESS #10                                       | 1                  |
| 14       | 1980077     | SHCS SS #10-32 X 1   | 1                  |
| 15       | LF-PRSTEP14 | ASSEMBLY STEP 14   | 1                  |
| 16       | 7707888     | GRASPER FOLLOWER BRACKET   | 1                  |
| 17       | 1953604     | SNAP IN NYLINER BEARING NYLON 0.375 ID X 0.437 OD X 0.140L                           | 4                  |
| 18       | 7707641     | Aluminum Unthreaded Round Spacer 3/8" OD, 1/4" Length, #10 Screw Size                | 1                  |
| 19       | 7707544     | CAM FOLLOWER 1/2 STUD  | 1                  |
| 20       | 7707645     | ROUND SPACER, ZINC PLATED STEEL, 3/8OD X #10ID X 1/4LOD, 1/4" Length, #10 Screw Size | 2                  |



|        |                             |       |   |    |   |
|--------|-----------------------------|-------|---|----|---|
| TITLE  | LIFT/REG DRUM FRAME (AS#15) | SHEET | 1 | OF | 1 |
| ITEM # | LFS15000                    | REV   | 0 |    |   |



|  |                                    |            |            |
|--|------------------------------------|------------|------------|
| INSPECT  |                                    | SCALE: 1:2 |            |
| BOM  |                                    |            |            |
| TOLERANCES: X.XXXX ±0.0005; X.XXX ±0.005; X.XX ±0.015; X/X ±1/32; ANGLES ±1/2"   |                                    |            |            |
| MACHINE FINISH 63; BREAK ALL EDGES TO 0.01R MAX; THREADS=CLASS 2B; GEO TOL=ASME Y 14.5   |                                    |            |            |
| THIS DOCUMENT IS PROPERTY OF ASTERISK INC. IT IS DELIVERED ON THE CONDITION IT ONLY BE USED FOR THE BENEFIT OF ASTERISK. NO OTHER RIGHT IS GRANTED TO USE OR DISCLOSE THE INFORMATION IT CONTAINS. |                                    |            |            |
| ENG: KAJ   | CONTROL DATE: 12/5/2003 1:45:52 PM |            |            |
| TITLE: LIFT/REG GRASPER (AS#16)  |                                    |            | SHT 1 OF 2 |
| www.asterisk.com   |                                    |            | REV 0      |
| 4 Business Park Rd Old Saybrook CT 06475 860.388.3811  |                                    |            | LFS16000   |

| ECN# | Old P/N  | Old Rev | New P/N  | New Rev | Change Descriptions   | Date      | By  |
|------|----------|---------|----------|---------|-----------------------|-----------|-----|
| 3633 | LFS16000 | 0       | LFS16000 | 1       | 3FME35A8 was 3FMA32B0 | 08-Jul-05 | KAJ |

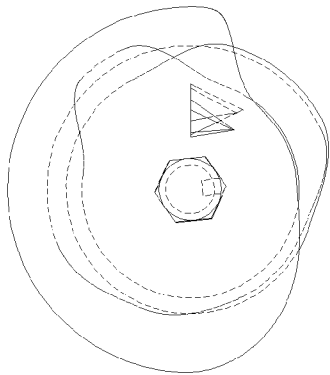


| ITEM NO. | PART NUMBER | DESCRIPTION  | Default/QTY | GRASPER/QTY. |
|----------|-------------|--|-------------|--------------|
| 1        | 7707923     | LOWER BEARING BLOCK  | 1           | 1            |
| 2        | 7707929     | GRASPER SPRING FINGER  | 1           | 1            |
| 3        | 7707887     | GRASPER BRACKET  | 1           | 1            |
| 4        | 7707928     | GRASPER PIVOT SHAFT  | 1           | 1            |
| 5        | 7707886     | GUIDE ROD MOUNT BRACKET  | 1           | 1            |
| 6        | 7707484     | FLANGED PLAIN BEARING NYLON 0.375 ID X 0.438 HOUSING BORE 0.140L                     | 2           | 2            |
| 7        | 7707465     | Retaining ring series 3100 .468G .C39W .0482   | 6           | 6            |
| 8        | 7707546     | LINEAR BALL BEARING 1/4ID X 1/2OD X 3/4L STEEL SLEEVE/RESIN RETAINER                 | 3           | 3            |
| 9        | 7707444     | COMPRESSION SPRING, MUSIC WIRE, 0.360 OD X 0.026 WIRE DIA X 3/4L                     | 1           | 1            |
| 10       | 7707544     | CAM FOLLOWER 1/2 STUD  | 2           | 1            |
| 11       | 7707641     | Aluminum Unthreaded Round Spacer 3/8" OD, 1/4" Length, #10 Screw Size                | 2           | 1            |
| 12       | 7707680     | MALE BARB CONNECTOR 1/8ID X #10-32   | 1           | 1            |
| 13       | 7707537     | FLAT-1 AIR CYLINDER DOUBLE ACTING 9/16B X 1S   | 1           | 1            |
| 14       | 7707647     | Nylon Unthreaded Round Spacer 1/4" OD, 1/2" Length, #8 Screw Size                    | 1           | 1            |
| 15       | 1925603     | FENDER WASHER 18-8 STAINLESS #8, 1 1/16ID X 3/4OD X 0.040THK                         | 1           | 1            |
| 16       | 7707651     | Recessed Bumper with washer  | 1           | 1            |
| 17       | 7707433     | E-SHIELD RETAINING RING SPRING STEEL, ZINC PLATE                                     | 4           | 4            |
| 18       | 7707919     | UPPER LINEAR SHAFT   | 2           | 2            |
| 19       | LF-PRSTEP15 | SEE LFS15000   | 1           | -            |
| 20       | 7707892     | GRASPER LINK   | 1           | -            |
| 21       | 7707927     | GRASPER DRIVE SHAFT  | 1           | -            |
| 22       | 7707896     | GRASPER SHAFT BRACKET  | 1           | -            |
| 23       | 7707645     | ROUND SPACER, ZINC PLATED STEEL, 3/8OD X #10ID X 1/4LOD, 1/4" Length, #10 Screw Size | 4           | -            |
| 24       | 1953604     | SNAP IN NYLINER BEARING NYLON 0.375 ID X 0.437 OD X 0.140L                           | 4           | -            |
| 25       | 1980081     | SHCS SS #10-32 X 1-3/4   | 1           | -            |
| 26       | 7707641     | ROUND ALUMINUM SPACER #10 X 3/8 OD X 7/8 L   | 1           | -            |
| 27       | 1925060     | FLAT WASHER MS 15795 MIL, STAINLESS #10, 0.219ID X 0.438OD X 0.065THK                | 3           | -            |
| 28       | 1926063     | SPRING LOCK WASHER REGULAR, 18-8 STAINLESS #10                                       | 3           | -            |
| 29       | 7707510     | 3/8 ID X 7/8 OD FLANGED RADIAL BALL BEARING  | 2           | -            |
| 30       | 1730540     | SNAP IN NYLINER BEARING NYLON 0.500 ID X 0.564 OD X 0.140L                           | 2           | -            |
| 31       | 7707894     | GRASPER CAM BRACKET  | 1           | -            |
| 32       | 7707895     | CAM BRACKET PIVOT SHAFT  | 1           | -            |
| 33       | 7707897     | MID SIZE LINK ARM  | 1           | -            |
| 34       | 7707918     | RIGHT SIDE PLATE   | 1           | -            |
| 35       | 1730467     | ROUND SPACER ALUMINUM 1/2OD X #10ID X 1/2L   | 1           | -            |
| 36       | 7707948     | BUMPER MOUNT FINGER  | 1           | -            |
| 37       | 7707586     | URETHANE SHEET 50DJRO SORBATHANE BLACK 0.500 THK                                     | 1           | -            |
| 38       | 1980075     | SHCS SS #10-32 X 3/4   | 1           | -            |
| 39       | 1723149     | Steel Compression Spring Music Wire, .48 OD X .035 WD X 1.75L                        | 1           | 1            |

| ECN# | Old P/N  | Old Rev | New P/N  | New Rev | Change Descriptions   | Date      | By  |
|------|----------|---------|----------|---------|-----------------------|-----------|-----|
| 3633 | LFS16000 | 0       | LFS16000 | 1       | 3FME35A8 was 3FMA32B0 | 08-Jul-05 | KAJ |

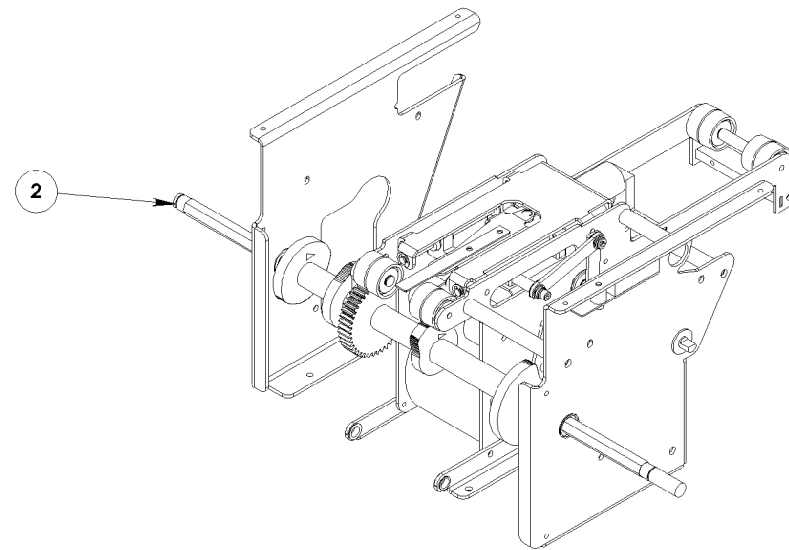
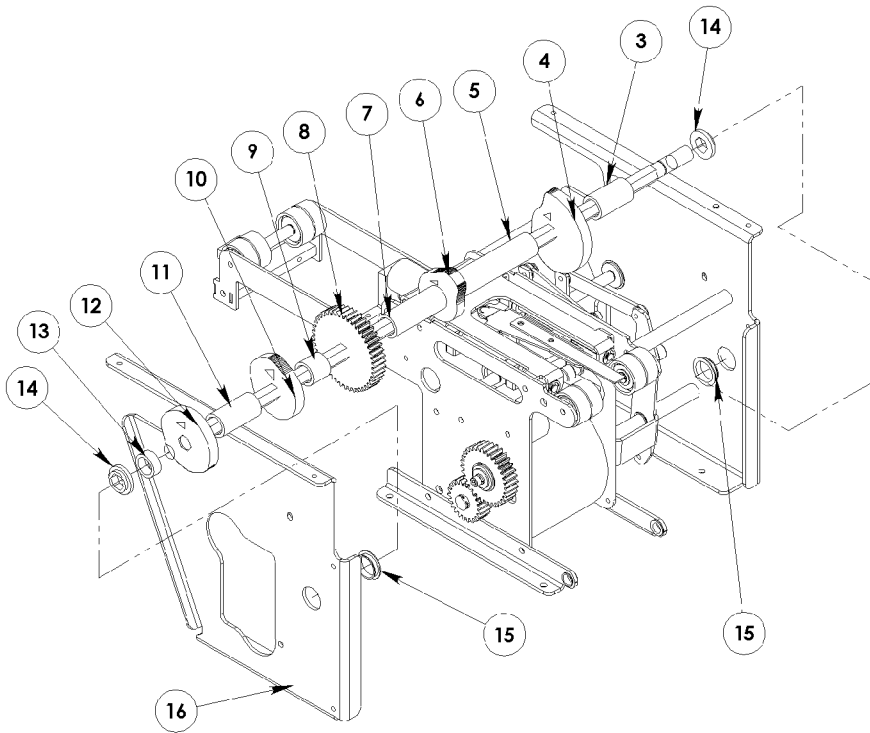
  

|   |                          |
|---|--------------------------|
| FILE#   | 1:8                      |
| TOLERANCES: X .XXX +0.005; X .XXX +0.005; XXX +0.015; X /X ±.012; ANGLES ±.1/2°   |                          |
| MACHINE FINISH: R3FAK ALL EDGES TO 0.01R MAX; THREADS CLASS 2B; GEOMETRIC ASME Y 14.5   |                          |
| THIS DOCUMENT IS PROPERTY OF ASTERISK INC. IT IS DELIVERED ON THE CONDITION IT ONLY BEUSED FOR THE BENEFIT OF ASTERISK. NO OTHER RIGHT IS GRANTED TO USE OR DISCLOSE THE INFORMATION IT CONTAINS. |                          |
| ENG   | CONTROL DATE             |
| TITLE   | LIFT/REG GRASPER (AS#16) |
| SHT   | 2 OF 2                   |
| <b>asterisk*</b> www.asteriskinc.com<br>4 Business Park Rd Old Saybrook CT 06475 860.388.3811   |                          |
| REV   | LFS16000                 |

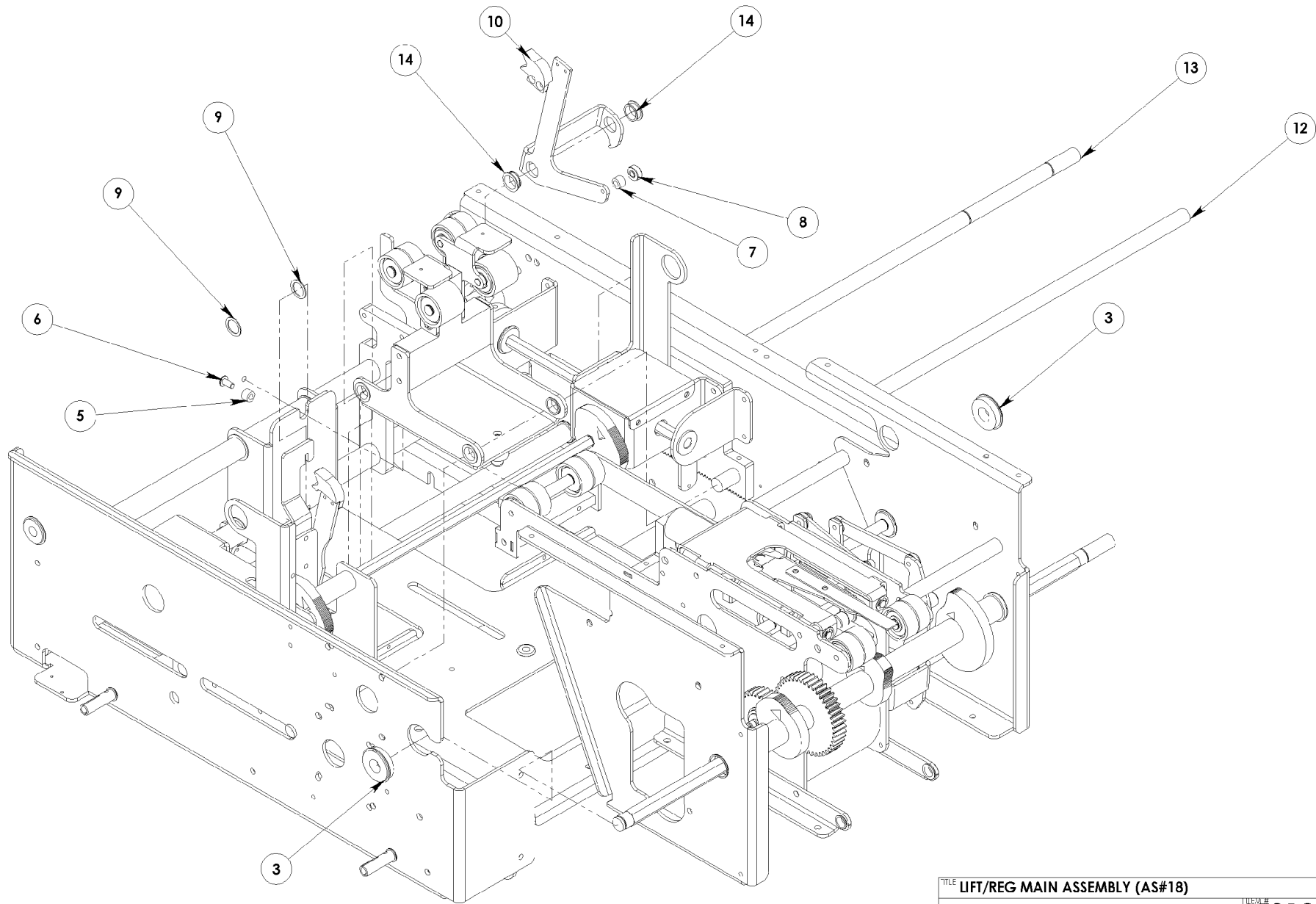


VIEWED FROM RIGHT SIDE. NOTE  
KEYSLOT LOCATION RELATIVE TO ARROW  
BACKS.

| ITEM NO. | PART NUMBER | DESCRIPTION  | Default/QTY. | With Belts/QTY. |
|----------|-------------|--|--------------|-----------------|
| 1        | LF-PRSTEP16 | SEE LFS16000   | 1            | -               |
| 2        | 7707885     | CAM SHAFT  | 1            | 1               |
| 3        | 7707903     | SPACER F   | 1            | 1               |
| 4        | 7707876     | GRASPER IN OUT CAM   | 1            | 1               |
| 5        | 7707902     | SPACER E   | 1            | 1               |
| 6        | 7707877     | GRASPER UP DOWN CAM  | 1            | 1               |
| 7        | 7707901     | SPACER D   | 1            | 1               |
| 8        | 7707911     | DRIVE GEAR   | 1            | 1               |
| 9        | 7707900     | SPACER C   | 1            | 1               |
| 10       | 7707884     | PICK LIFT CAM  | 1            | 1               |
| 11       | 7707899     | SPACER B   | 1            | 1               |
| 12       | 7707879     | PICK IN/OUT CAM  | 1            | 1               |
| 13       | 7707904     | SPACER A   | 1            | 1               |
| 14       | 1730557     | HEX BUSHING  | 2            | 2               |
| 15       | 7707487     | SNAP IN NYLINER BEARING NYLON 0.375 ID X 0.437 OD X 0.140L | 2            | 2               |
| 16       | 7707920     | LEFT SIDE PLATE  | 1            | 1               |
| 17       | LF-PRSTEP16 | SEE LFS16000   | -            | 1               |

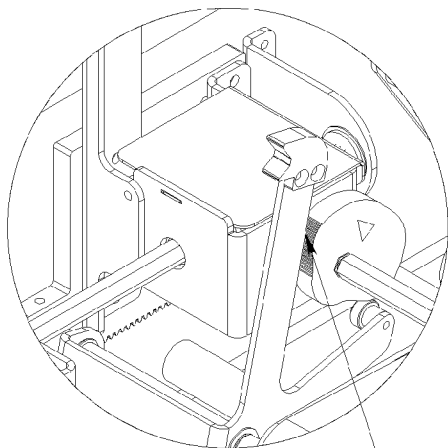


|        |                                 |       |   |    |   |
|--------|---------------------------------|-------|---|----|---|
| TITLE  | LIFT/REG FEED CAM SHAFT (AS#17) | SHEET | 1 | OF | 1 |
| ITEM # | LFS17000                        | REV   | 0 |    |   |



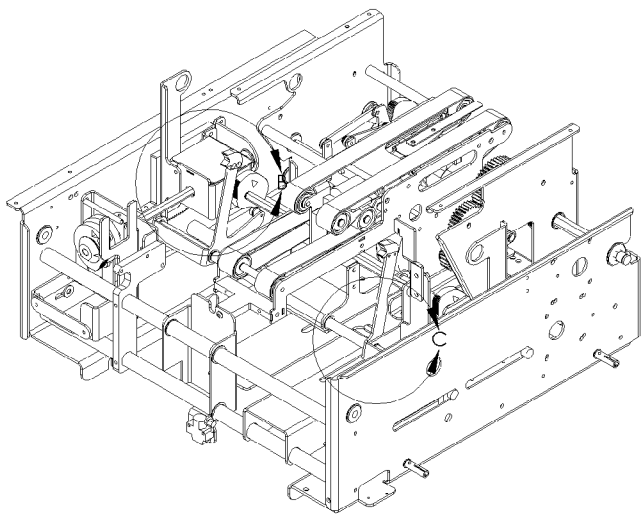
|          |                                |     |   |     |   |
|----------|--------------------------------|-----|---|-----|---|
| TITLE    | LIFT/REG MAIN ASSEMBLY (AS#18) | SHT | 1 | OF  | 2 |
| REV      |                                | REV |   | REV | 0 |
| LFS18000 |                                |     |   |     |   |

| ITEM NO. | PART NUMBER   | DESCRIPTION  | EXPLODED/QTY. |
|----------|---------------|--|---------------|
| 1        | LF-PRSTEP13   | ASSEMBLY STEP 13   | 1             |
| 2        | LF-PRSTEP17   | ASSEMBLY STEP 17   | 1             |
| 3        | 1771425       | Radial Ball Bearing  | 2             |
| 4        | LF-PRSTEP18-1 | See LFS18100   | 1             |
| 5        | 7707645       | ROUND SPACER, ZINC PLATED STEEL, 3/8OD X #10ID X 1/4LOD, 1/4" Length, #10 Screw Size | 1             |
| 6        | 1980279       | BUTTON HEAD SOCKET CAP SCREW 18-8 STAINLESS #10-32 X 3/8                             | 1             |
| 7        | 7707641       | Aluminum Unthreaded Round Spacer 3/8" OD, 1/4" Length, #10 Screw Size                | 1             |
| 8        | 9950062       | RADIAL BALL BEARING 3/16 ID 1/2 OD SEALED AND SHELDDED WITH EXT INNER RACE           | 1             |
| 9        | 1925238       | NYLON FLAT WASHER, NARROW RIM NATURAL COLOR 1/2ID X 11/16OD X 1/32THK                | 2             |
| 10       | 7708033       | RIGHT REAR JOG BLOCK   | 1             |
| 11       | 7708015       | REAR RIGHT JUSTIFY BRACKET   | 1             |
| 12       | 7708067       | REAR RACK CROSS ROD  | 1             |
| 13       | 7708013       | RACK CROSS ROD   | 1             |
| 14       | 1730540       | SNAP IN NYLINER BEARING NYLON 0.375 ID X 0.437 OD X 0.140L                           | 2             |

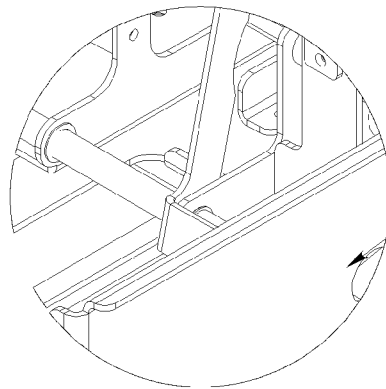


DETAIL B  
SCALE 1 : 2

Adjust cross rod so adjust bracket is close to cam but doesn't contact it.



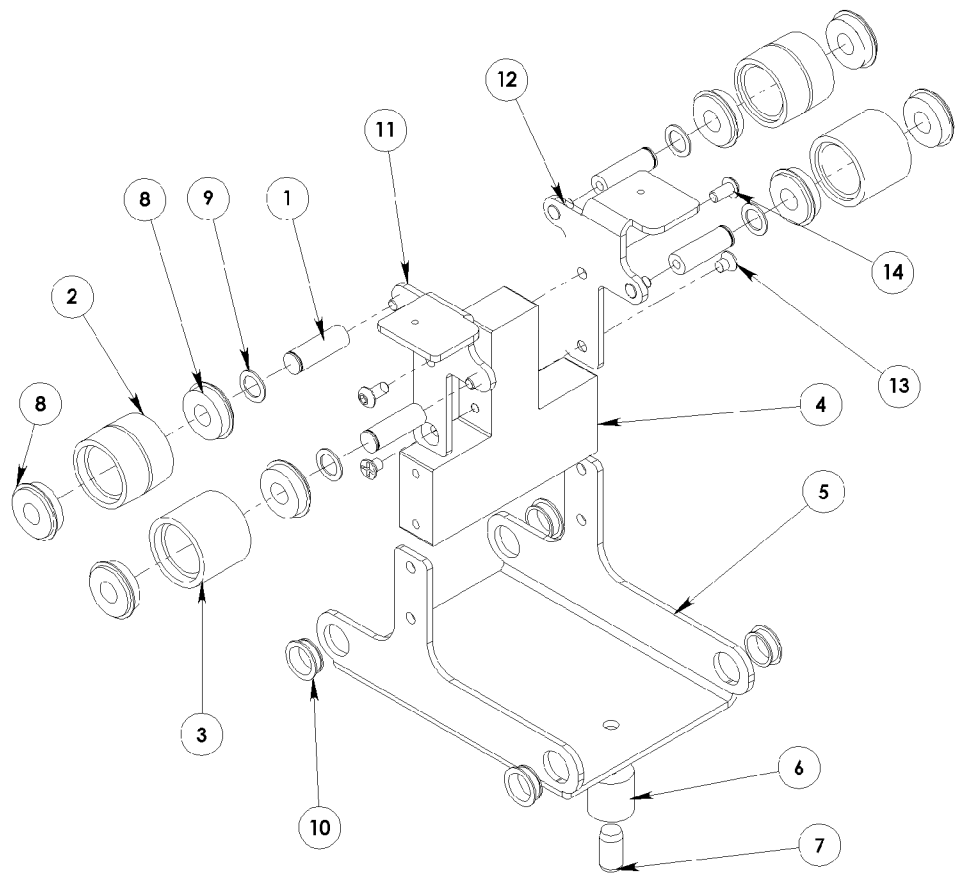
DETAIL C  
SCALE 1 : 2



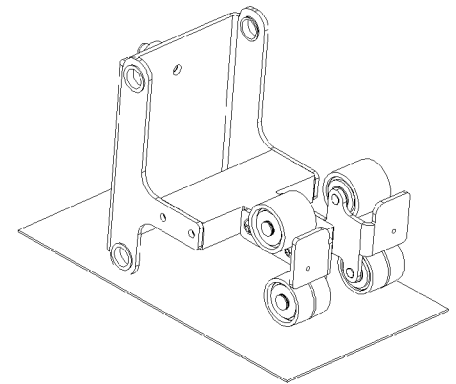
1925238's go between bearings on justify bracket and left rear mount bracket.

|          |                                |     |   |    |   |
|----------|--------------------------------|-----|---|----|---|
| TITLE    | LIFT/REG MAIN ASSEMBLY (AS#18) | SHT | 2 | OF | 2 |
| REV      |                                |     |   |    |   |
| LFS18000 |                                |     |   |    | 0 |

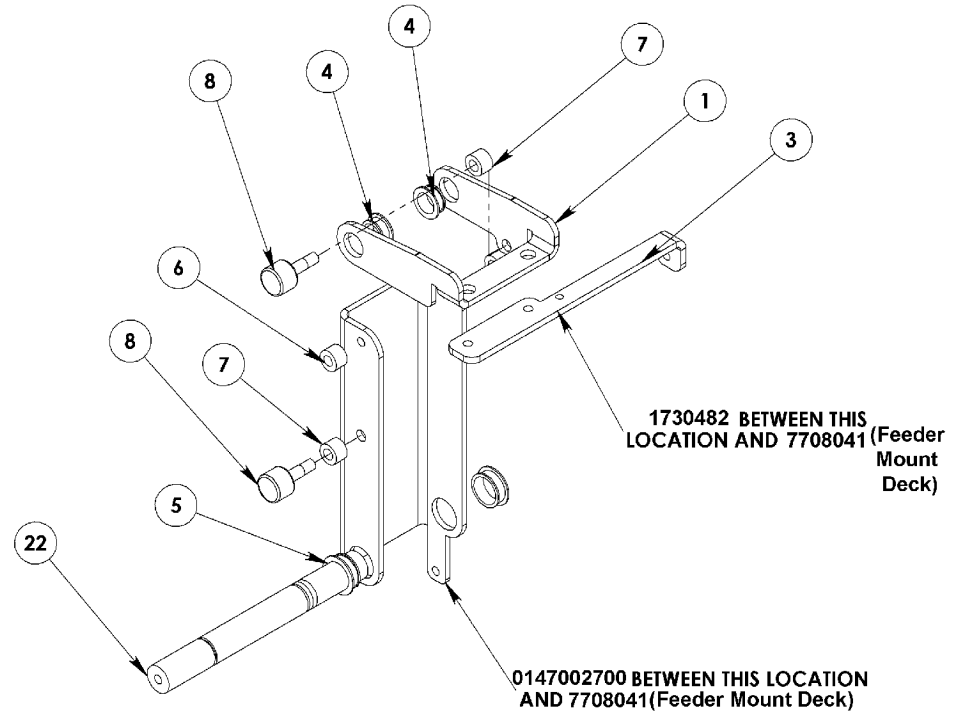
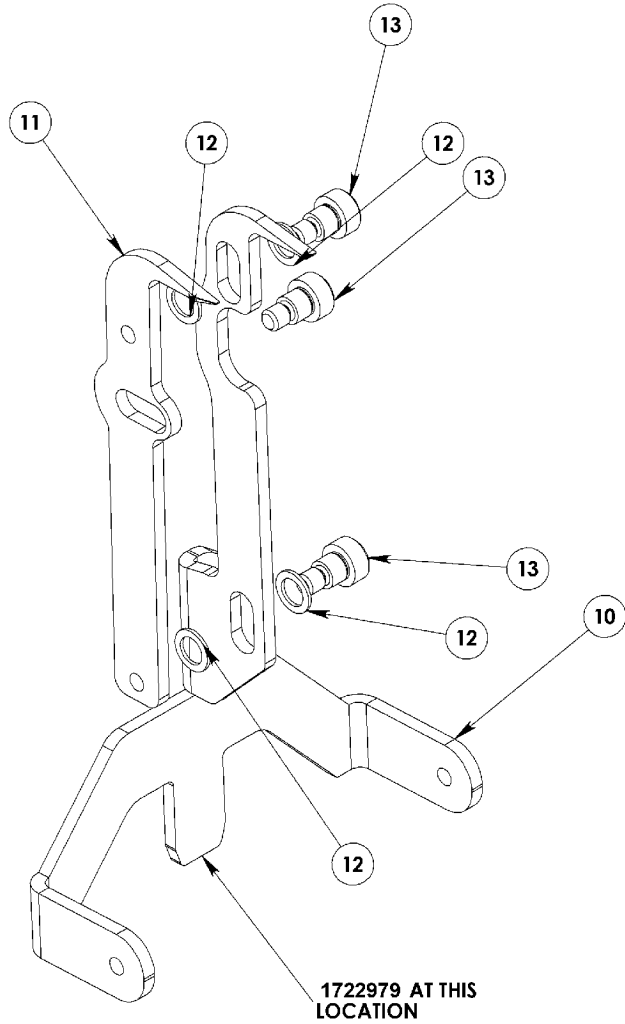
| ITEM NO. | PART NUMBER | DESCRIPTION  | EXPLODED/QTY. | ASSY/QTY. |
|----------|-------------|--|---------------|-----------|
| 1        | 7708066     | ROLLER SHAFT SHORT   | 4             | 4         |
| 2        | 7708012     | CROWNED FLAT BELT PULLEY                                   | 2             | 2         |
| 3        | 7708021     | FLAT BELT IDLER PULLEY                                     | 2             | 2         |
| 4        | 7708070     | CENTER BLOCK   | 1             | 1         |
| 5        | 7708014     | CENTER DECK BRACKET  | 1             | 1         |
| 6        | 7708020     | GUIDE POST   | 1             | 1         |
| 7        | 7707442     | DOWEL PIN ALLOY STEEL, HARDENED AND GROUND 3/8 X 3/4       | 1             | 1         |
| 8        | 7707510     | 3/8 ID X 7/8 OD FLANGED RADIAL BALL BEARING                | 8             | 8         |
| 9        | 7707432     | STEEL ADJUSTING SHIM 3/8 ID X 1/2 OD X 0.005 THICK         | 4             | 4         |
| 10       | 1730540     | SNAP IN NYLINER BEARING NYLON 0.375 ID X 0.437 OD X 0.140L | 4             | 4         |
| 11       | 7708086     | CENTER DECK SUPPORT BRACKET LEFT W/STUDS                   | 1             | 1         |
| 12       | 7708087     | CENTER SUPPORT DECK RIGHT                                  | 1             | 1         |
| 13       | 7707607     | FLAT HEAD PHILLIPS MACHINE SCREW, #10-32 X 1/4             | 2             | 2         |
| 14       | 1980279     | BUTTON HEAD SOCKET CAP SCREW 18-8 STAINLESS #10-32 X 3/8   | 2             | 2         |



**Use Button Head and Flat Head screws to adjust assembly so it will not rock on a flat surface in this position.**



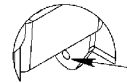
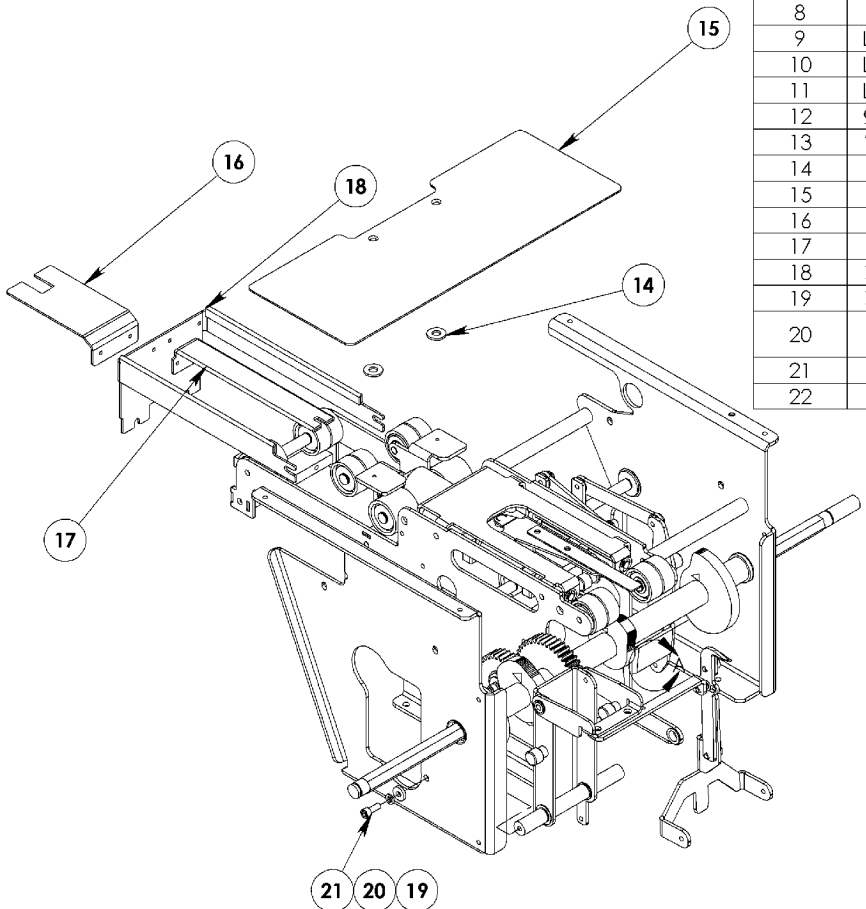
|          |                                      |     |   |    |   |
|----------|--------------------------------------|-----|---|----|---|
| TITLE    | LIFT/REG CENTER BELT IDLER (AS#18-1) | SHT | 1 | OF | 1 |
| REV      |                                      |     |   |    |   |
| LFS18100 |                                      |     |   |    | 0 |



|  |              |            |                        |
|--|--------------|------------|------------------------|
| FRSH   |              | SCALE: 1:2 |                        |
| MATERIAL   |              |            |                        |
| TOLERANCES: X.XXXX ±0.0005; X.XXX ±0.005; X.XX ±0.015; X/X =1/32; ANGLES ±1/2°   |              |            |                        |
| MACHINE FINISH 63, BREAK ALL EDGES TO 0.01R MAX, THREADS=CLASS 2B, GEO TOL=ASME Y 14.5   |              |            |                        |
| THIS DOCUMENT IS PROPERTY OF ASTERISK INC. IT IS DELIVERED ON THE CONDITION IT ONLY BE USED FOR THE BENEFIT OF ASTERISK. NO OTHER RIGHT IS GRANTED TO USE OR DISCLOSE THE INFORMATION IT CONTAINS. |              |            |                        |
| ENG  | CONTROL DATE |            |                        |
| TITLE LIFT/REG PICK/REAR DECK (AS#19)  |              |            | SHT 1 OF 2             |
| <b>asterisk*</b> www.asteriskinc.com<br>4 Business Park Rd Old Saybrook CT 06475 860.388.3811  |              |            | <b>LFS19000</b><br>REV |

**INSTALL A 7707455 AT EACH OF THE REAR JUSTIFIERS.**

| ITEM NO. | PART NUMBER | DESCRIPTION  | Default/QTY. | FOLLOWERS/QTY. | PICK FINGER/QTY. |
|----------|-------------|--|--------------|----------------|------------------|
| 1        | 7707916     | PICKER PIVOT BRACKET   | 1            | 1              | -                |
| 2        | 1723122     | PICK IN OUT BRACKET  | 1            | 1              | -                |
| 3        | 7707932     | PICK FINGER BRACKET  | 1            | 1              | -                |
| 4        | 7707461     | SNAP IN NYLINER BEARING NYLON 0.375 ID X 0.437 OD X 0.140L                           | 2            | 2              | -                |
| 5        | 7707485     | SNAP IN NYLINER BEARING NYLON 0.375 ID X 0.437 OD X 0.140L                           | 2            | 2              | -                |
| 6        | 7707645     | ROUND SPACER, ZINC PLATED STEEL, 3/8OD X #10ID X 1/4LOD, 1/4" Length, #10 Screw Size | 2            | 2              | -                |
| 7        | 7707641     | Aluminum Unthreaded Round Spacer 3/8" OD, 1/4" Length, #10 Screw Size                | 2            | 2              | -                |
| 8        | 7707544     | CAM FOLLOWER 1/2 STUD  | 2            | 2              | -                |
| 9        | LF-PRSTEP17 | ASSEMBLY STEP 17   | 1            | -              | -                |
| 10       | LF321080    | Pick Finger - Order 1722895  | 1            | -              | 1                |
| 11       | LF222070    | Pick Finger - Order 1722895  | 1            | -              | 1                |
| 12       | 9950257000  | FW NYLON 3/8 X 9/16 X 1/32   | 4            | -              | 4                |
| 13       | 7707638     | PSS 1/4 X 3/4 #10-32 SS  | 3            | -              | 3                |
| 14       | 1925069     | 1/4 FLAT WASHER  | 2            | -              | -                |
| 15       | 7708034     | CENTER REAR DECK   | 1            | -              | -                |
| 16       | 7708069     | INFEED BRACKET   | 1            | -              | -                |
| 17       | 7707934     | CENTER SUPPORT BRACKET   | 1            | -              | -                |
| 18       | 1723123     | SUPPORT BRACKET  | 1            | -              | -                |
| 19       | 1925080     | FW CHS 1/4   | 1            | 1              | 1                |
| 20       | 1926063     | SPRING LOCK WASHER REGULAR, 18-8 STAINLESS #10                                       | 1            | 1              | 1                |
| 21       | 1980072     | SHCS SS #10-32 X 1/2   | 1            | 1              | 1                |
| 22       | 1723118     | PICK IN OUT PIVOT SHAFT  | 1            | 1              | -                |

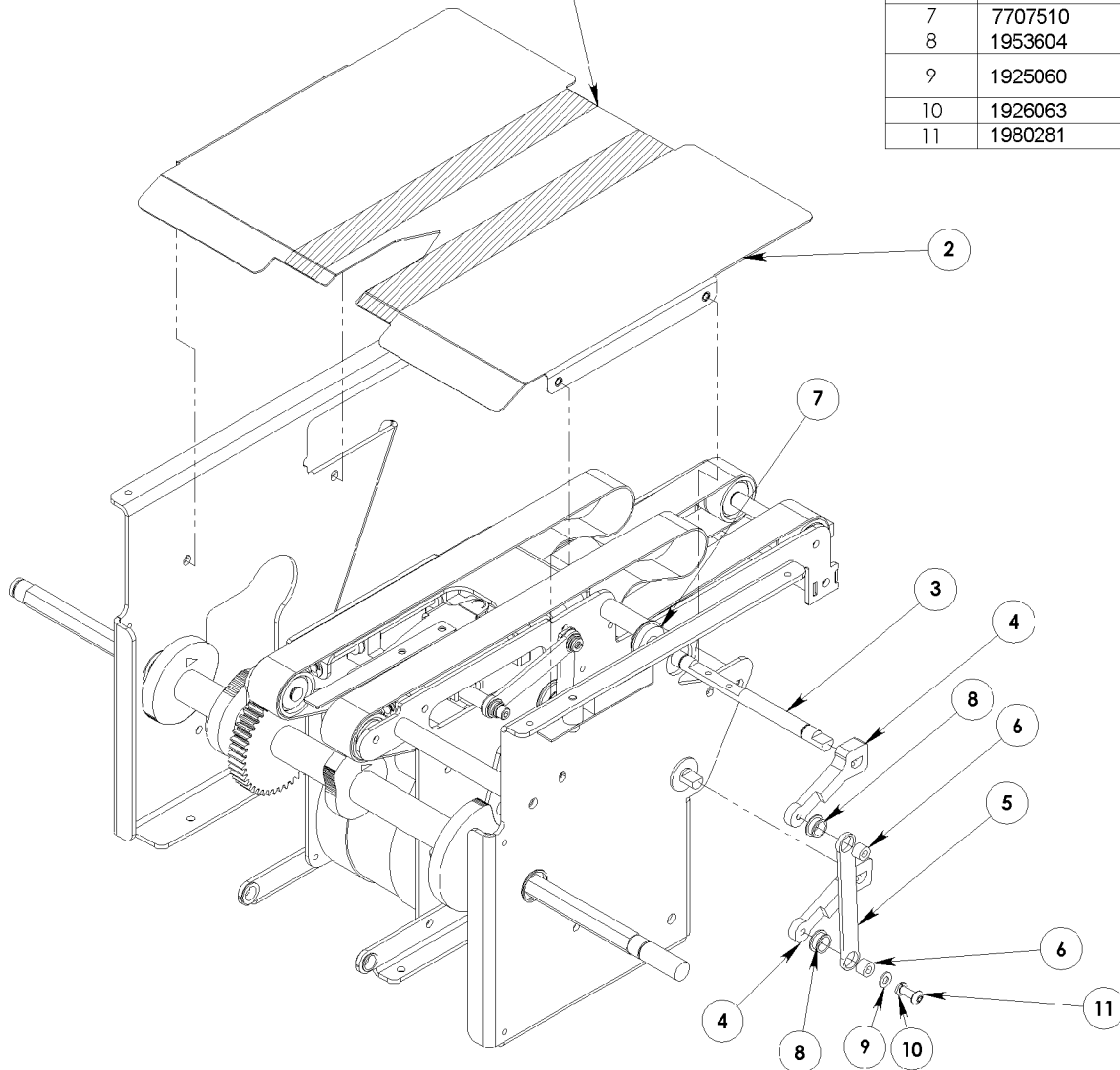


**0147002700 BETWEEN THIS LOCATION AND PR228010**

**DETAIL A  
SCALE 1 : 2**

|  |  |              |                              |
|--|--|--------------|------------------------------|
| FRSH   | <b>INSPECT</b>                         | SCALE        | <b>1:4</b>                   |
| MATERIAL   | <b>BOM</b>                             |              |                              |
| TOLERANCES: X.XXXX ±0.0005; X.XXX ±0.005; X.XX ±0.015; X/X ±1/32 ANGLES ±1/2"  |  |              |                              |
| MACHINE FINISH 63, BREAK ALL EDGES TO 0.01R MAX, THREADS=CLASS 2B, GEO TOL=ASME Y 14.5   |  |              |                              |
| THIS DOCUMENT IS PROPERTY OF ASTERISK INC. IT IS DELIVERED ON THE CONDITION IT ONLY BE USED FOR THE BENEFIT OF ASTERISK. NO OTHER RIGHT IS GRANTED TO USE OR DISCLOSE THE INFORMATION IT CONTAINS. |  |              |                              |
| ENG  | <b>KAJ</b>                             | CONTROL DATE | <b>1/20/2004 11:37:49 AM</b> |
| TITLE  | <b>LIFT/REG PICK/REAR DECK (AS#19)</b> | SHT          | <b>2</b> OF <b>2</b>         |
| as.ter.isk* www.asteriskinc.com  |  | DESIGN       | <b>LFS19000</b>              |
| 4 Business Park Rd Old Saybrook CT 06475 860.388.3811  |  | REV          | <b>0</b>                     |

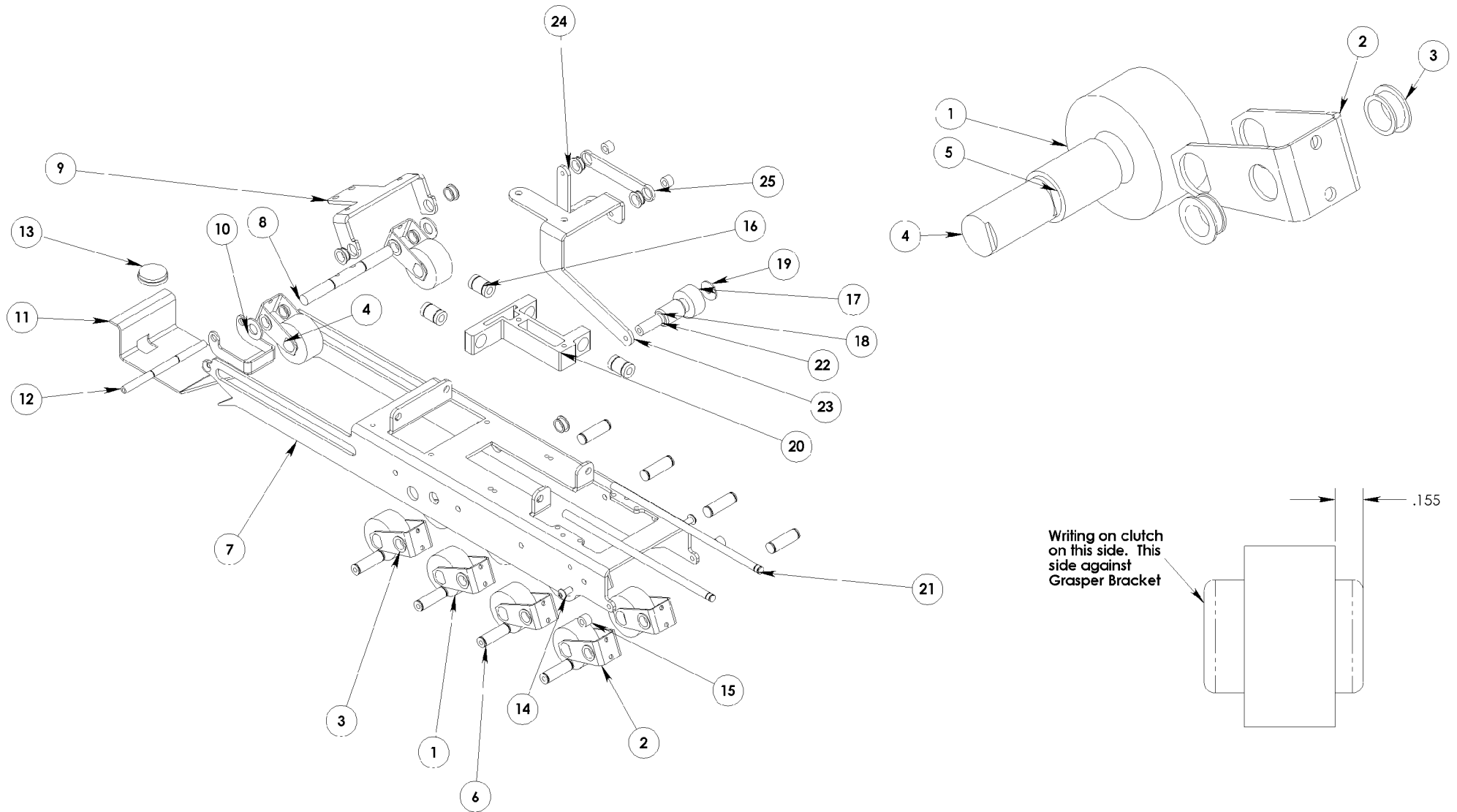
CLEAN SURFACE. APPLY **1771397** TAPE  
SO IT WILL BE DIRECTLY UNDER BELTS.



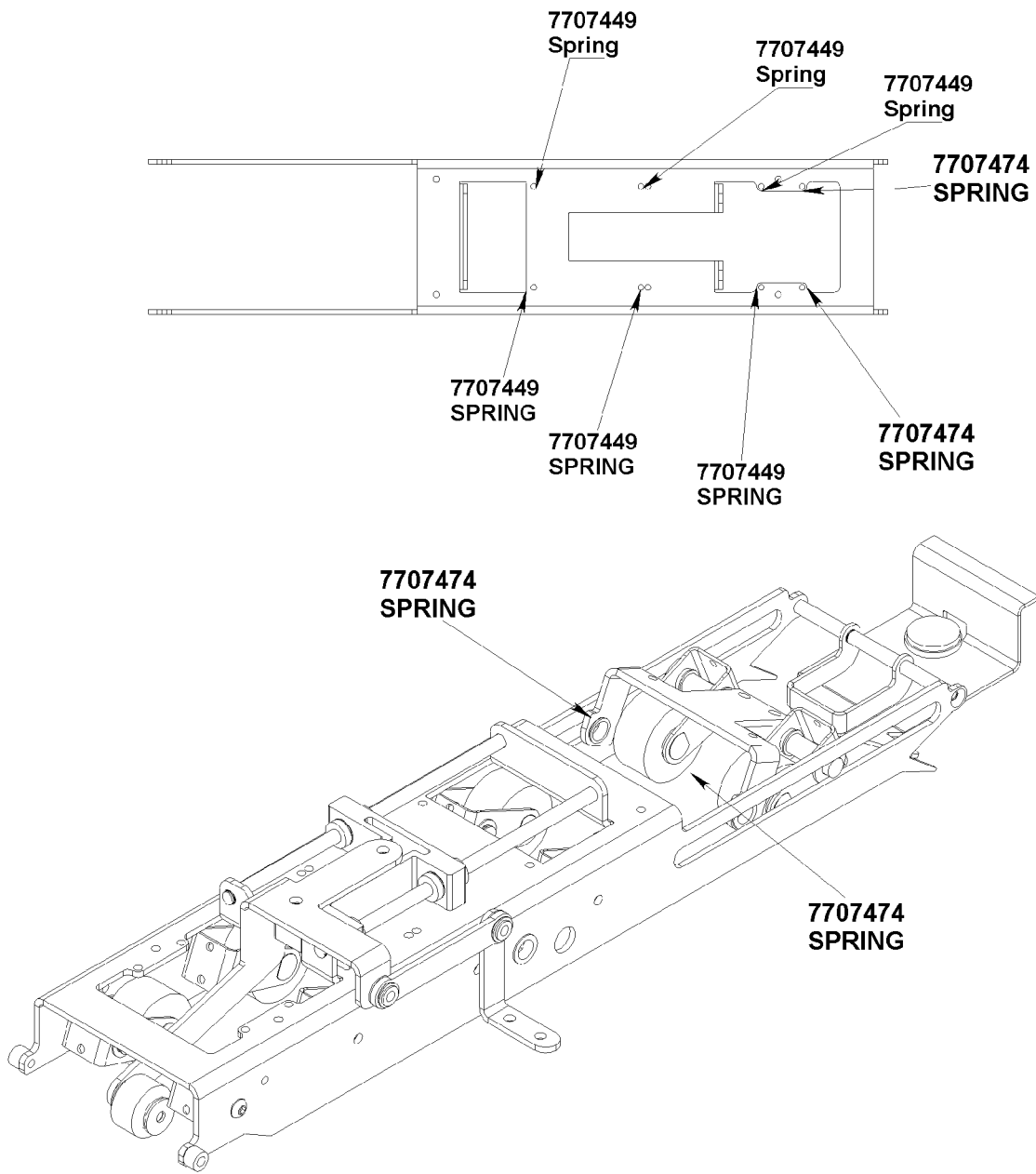
| ITEM NO. | PART NUMBER | DESCRIPTION  | QTY. |
|----------|-------------|--|------|
| 1        | LF-PRSTEP17 | SEE LFS17000   | 1    |
| 2        | 7707953     | FEEDER DECK W/PEMS   | 1    |
| 3        | 7707927     | GRASPER DRIVE SHAFT  | 1    |
| 4        | 7707945     | ARM  | 2    |
| 5        | 7707946     | MID SIZE LINK ARM  | 1    |
| 6        | 7707645     | ROUND SPACER, ZINC PLATED STEEL, 3/8OD X #10ID X 1/4LOD, 1/4" Length, #10 Screw Size | 2    |
| 7        | 7707510     | 3/8 ID X 7/8 OD FLANGED RADIAL BALL BEARING  | 1    |
| 8        | 1953604     | SNAP IN NYLINER BEARING NYLON 0.375 ID X 0.437 OD X 0.140L                           | 2    |
| 9        | 1925060     | FLAT WASHER MS 15795 MIL, STAINLESS #10, 0.219ID X 0.438OD X 0.065THK                | 1    |
| 10       | 1926063     | SPRING LOCK WASHER REGULAR, 18-8 STAINLESS #10                                       | 1    |
| 11       | 1980281     | BUTTON HEAD SOCKET CAP SCREW 18-8 STAINLESS #10-32 X 1/2                             | 1    |

|                 |   |     |   |    |          |
|-----------------|---|-----|---|----|----------|
| TITLE           | LIFT/REG FRONT DECK/GRASPER DRIVE (AS#20) | SHT | 1 | OF | 1        |
| REV             |   |     |   |    |          |
| <b>LFS20000</b> |   |     |   |    | <b>0</b> |





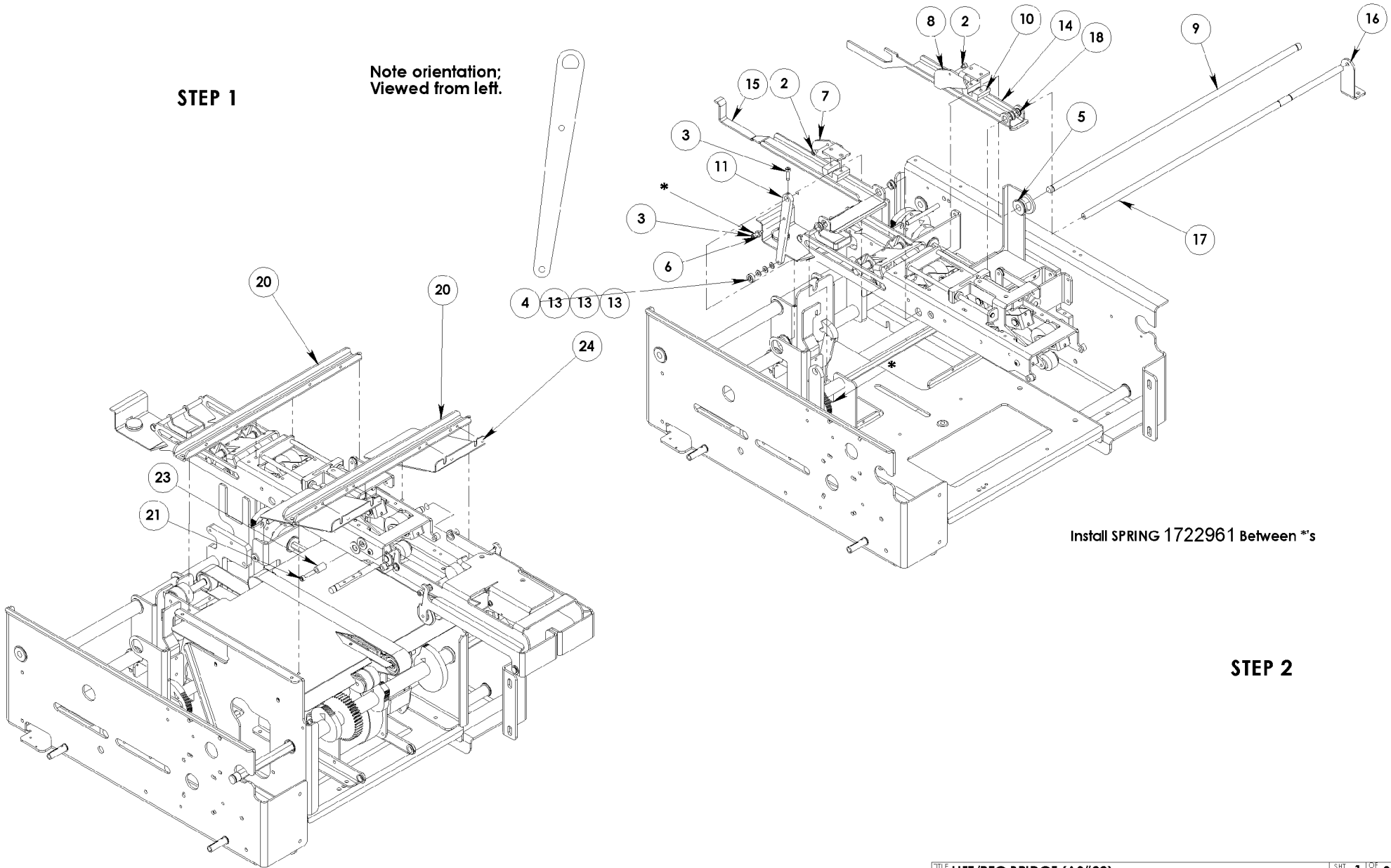
|        |                                 |                 |   |    |   |
|--------|---------------------------------|-----------------|---|----|---|
| TITLE  | LIFT/REG IDLER CARRIAGE (AS#21) | SHT             | 1 | OF | 2 |
| REV    |                                 | REV             |   |    |   |
| ITEM # |                                 | <b>LFS21000</b> |   |    |   |



| ITEM NO. | PART NUMBER | DESCRIPTION  | QTY. |
|----------|-------------|--|------|
| 1        | 7707951     | Input Nip Roller   | 10   |
| 2        | 7707905     | IDLER BRACKET  | 10   |
| 3        | 1953604     | SNAP IN NYLINER BEARING NYLON 0.375 ID X 0.437 OD X 0.140L                           | 25   |
| 4        | 7707907     | IDLER SHAFT  | 10   |
| 5        | 7707681     | SAE 841 Unmounted Plain Bronze Sleeve Bearing For 1/2" Shaft Dia, 5/8" OD, 7/8" Lg   | 10   |
| 6        | 7707908     | IDLER PIVOT SHAFT  | 8    |
| 7        | 7707926     | IDLER CARRIAGE   | 1    |
| 8        | 7708051     | LAST NIP SHAFT   | 1    |
| 9        | 7708050     | LAST NIP PIVOT BRACKET   | 1    |
| 10       | 1925223     | NYLON FLAT WASHER, REGULAR NATURAL COLOR 3/8, 0.390ID X 0.75OD X 0.062THK            | 2    |
| 11       | 7707937     | CENTER INFEED BRACKET TOP  | 1    |
| 12       | 7707947     | INFEED MOUNT SHAFT   | 1    |
| 13       | 7707523     | Corner Cube Reflector Disc, 26 mm Dia.   | 1    |
| 14       | 1980279     | BUTTON HEAD SOCKET CAP SCREW 18-8 STAINLESS #10-32 X 3/8                             | 2    |
| 15       | 7707645     | ROUND SPACER, ZINC PLATED STEEL, 3/8OD X #10ID X 1/4LOD, 1/4" Length, #10 Screw Size | 4    |
| 16       | 7707546     | LINEAR BALL BEARING 1/4ID X 1/2OD X 3/4L STEEL SLEEVE/RESIN RETAINER                 | 3    |
| 17       | 7707495     | CONVEYOR GRIPPING COVER 30 DURO URETHANE 1/2ID X 1OD X 1/2W                          | 1    |
| 18       | 7707695     | DC ROLLER CLUTCH AND BEARING ASSEMBLY 3/8 BORE                                       | 1    |
| 19       | 1925604     | FENDER WASHER 18-8 STAINLESS #10, 13/64ID X 11/16OD X 0.050THK                       | 1    |
| 20       | 7707921     | UPPER BEARING BRACKET  | 1    |
| 21       | 7707919     | UPPER LINEAR SHAFT   | 2    |
| 22       | 7707930     | GRASPER ROLLER SHAFT   | 1    |
| 23       | 7707922     | GRASPER ROLLER BRACKET   | 1    |
| 24       | 7707891     | GRASPER ARM  | 1    |
| 25       | 7707892     | GRASPER LINK   | 1    |

**STEP 1**

Note orientation;  
Viewed from left.

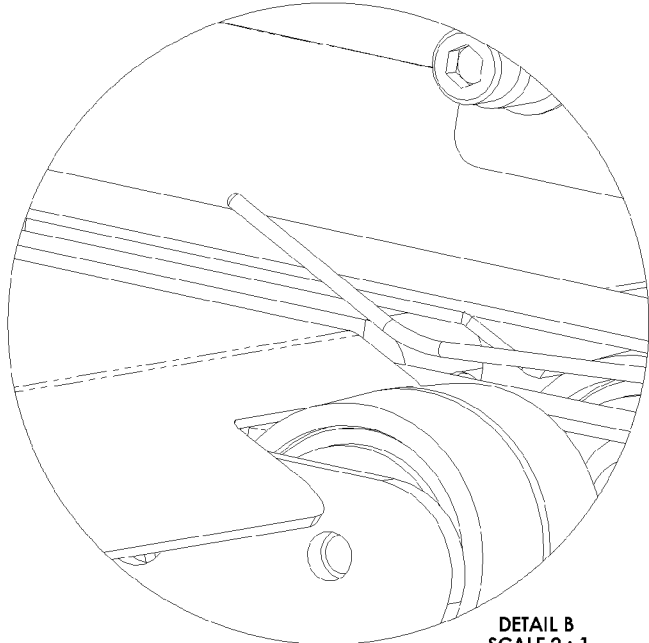


Install SPRING 1722961 Between \*s

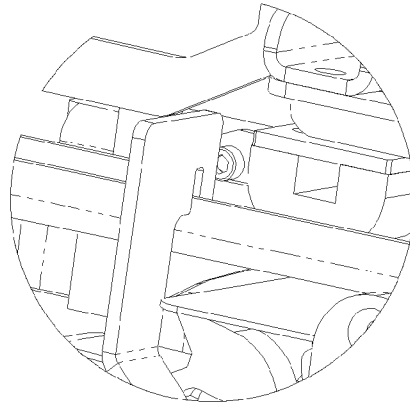
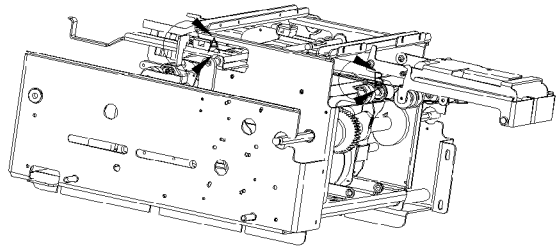
**STEP 2**

|          |                         |     |   |     |   |
|----------|-------------------------|-----|---|-----|---|
| TITLE    | LIFT/REG BRIDGE (AS#22) | SHT | 1 | OF  | 2 |
| REV      |                         | REV |   | REV | 0 |
| LFS22000 |                         |     |   |     |   |

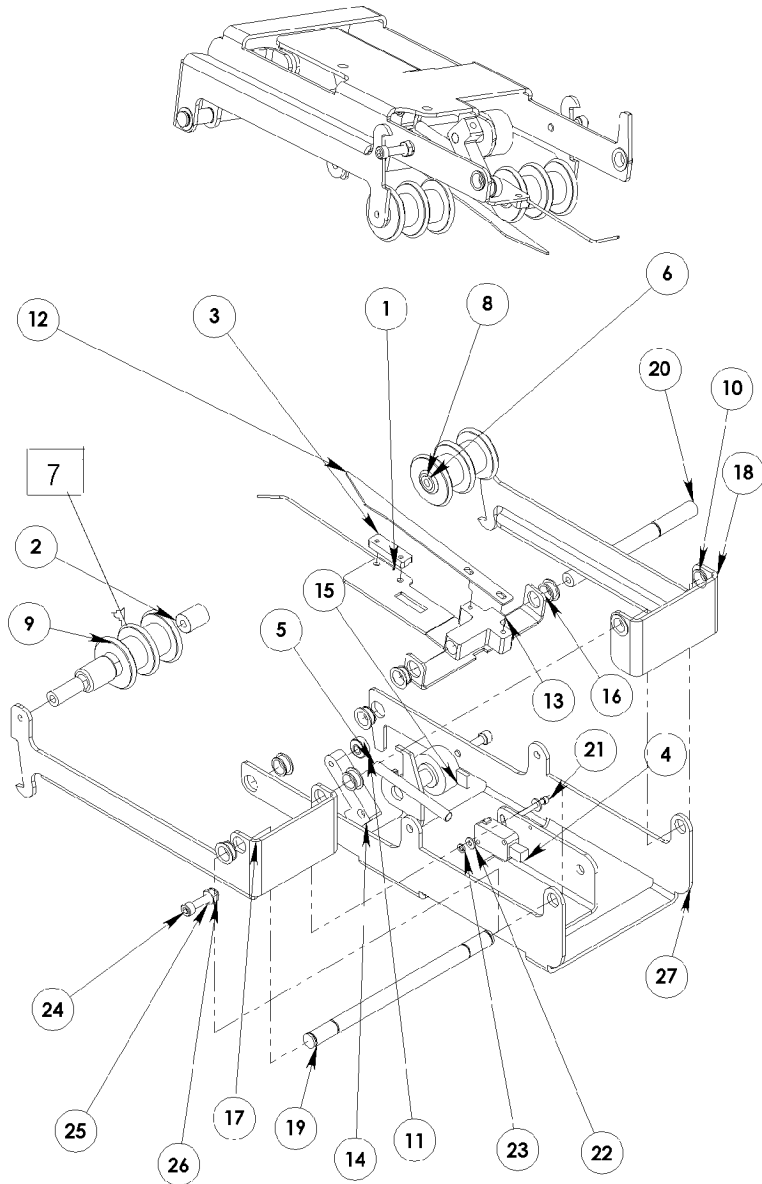
Adjust defect wire so it rests on the slope of the feeder deck.



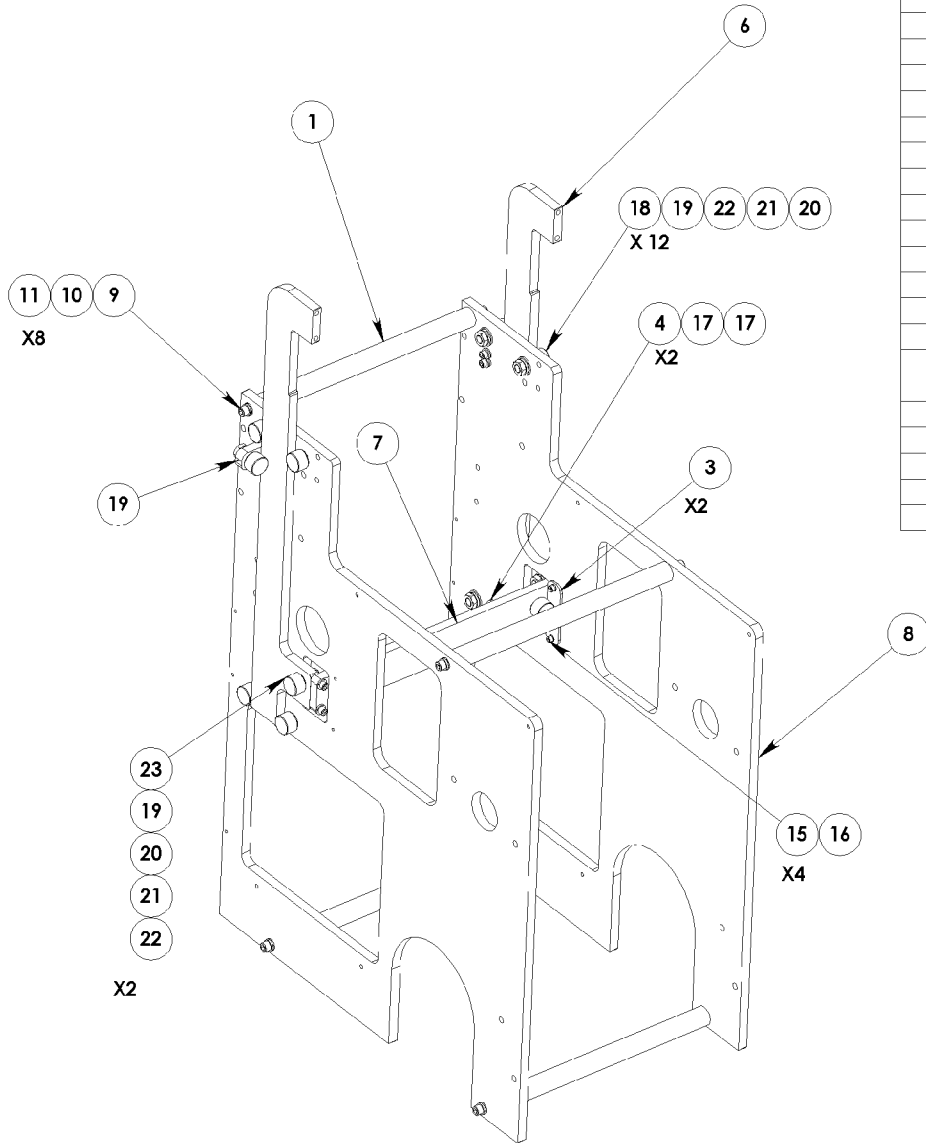
| ITEM NO. | PART NUMBER   | DESCRIPTION  | EXPLODED/QTY. | EXPLODED 2/QTY. |
|----------|---------------|--|---------------|-----------------|
| 1        | LF-PRSTEP21   | SEE LFS21000   | 1             | 1               |
| 2        | 1722962       | SHCS SS #8-32 X 5/16   | -             | 2               |
| 3        | 1980051       | SHCS SS #8-32 X 5/8  | -             | 2               |
| 4        | 9950062       | RADIAL BALL BEARING 3/16 ID 1/2 OD SEALED AND SHEILDED WITH EXT INNER RACE | -             | 1               |
| 5        | 7707510       | 3/8 ID X 7/8 OD FLANGED RADIAL BALL BEARING                                | -             | 2               |
| 6        | 1980701       | IMA_ItemName<br>HEX NUT 18-8 STAINLESS #8-32                               | -             | 1               |
| 7        | 7708077       | ASS KICKER   | -             | 1               |
| 8        | 7708078       | ASS KICKER RIGHT   | -             | 1               |
| 9        | 7708074       | ASS KICKER SHAFT   | -             | 1               |
| 10       | 7708076       | PIVOT BLOCK  | -             | 2               |
| 11       | 7708082       | ASS KICKER LIFT ARM  | -             | 1               |
| 12       | 7708080       | LEFT SUPPORT STRUT   | -             | 1               |
| 13       | 1925064       | FLAT WASHER MS 15795 MIL, STAINLESS #8, 0.188ID X 0.375OD X 0.065THK       | -             | 3               |
| 14       | 1722963       | LEFT TOP RAIL  | -             | 1               |
| 15       | 7708075       | LEFT TOP RAIL  | -             | 1               |
| 16       | 7708081       | RIGHT SUPPORT STRUT  | -             | 1               |
| 17       | 7708058       | PIVOT SHAFT  | -             | 1               |
| 18       | 1953604       | SNAP IN NYLINER BEARING NYLON 0.375 ID X 0.437 OD X 0.140L                 | -             | 4               |
| 19       | LF-PRSTEP22-1 | SEE LFS22100   | 1             | -               |
| 20       | 7707906       | CROSS BAR  | 2             | -               |
| 21       | 1980076       | SHCS SS #10-32 X 7/8   | 2             | -               |
| 22       | 1925223       | NYLON FLAT WASHER, REGULAR NATURAL COLOR 3/8, 0.390ID X 0.75OD X 0.062THK  | 4             | -               |
| 23       | 1730471       | ROUND SPACER, ZINC PLATED STEEL, 3/8OD X #10 ID X 5/8L                     | 2             | -               |
| 24       | 7707936       | Infeed Leaf  | 2             | -               |



DETAIL A  
SCALE 1:1

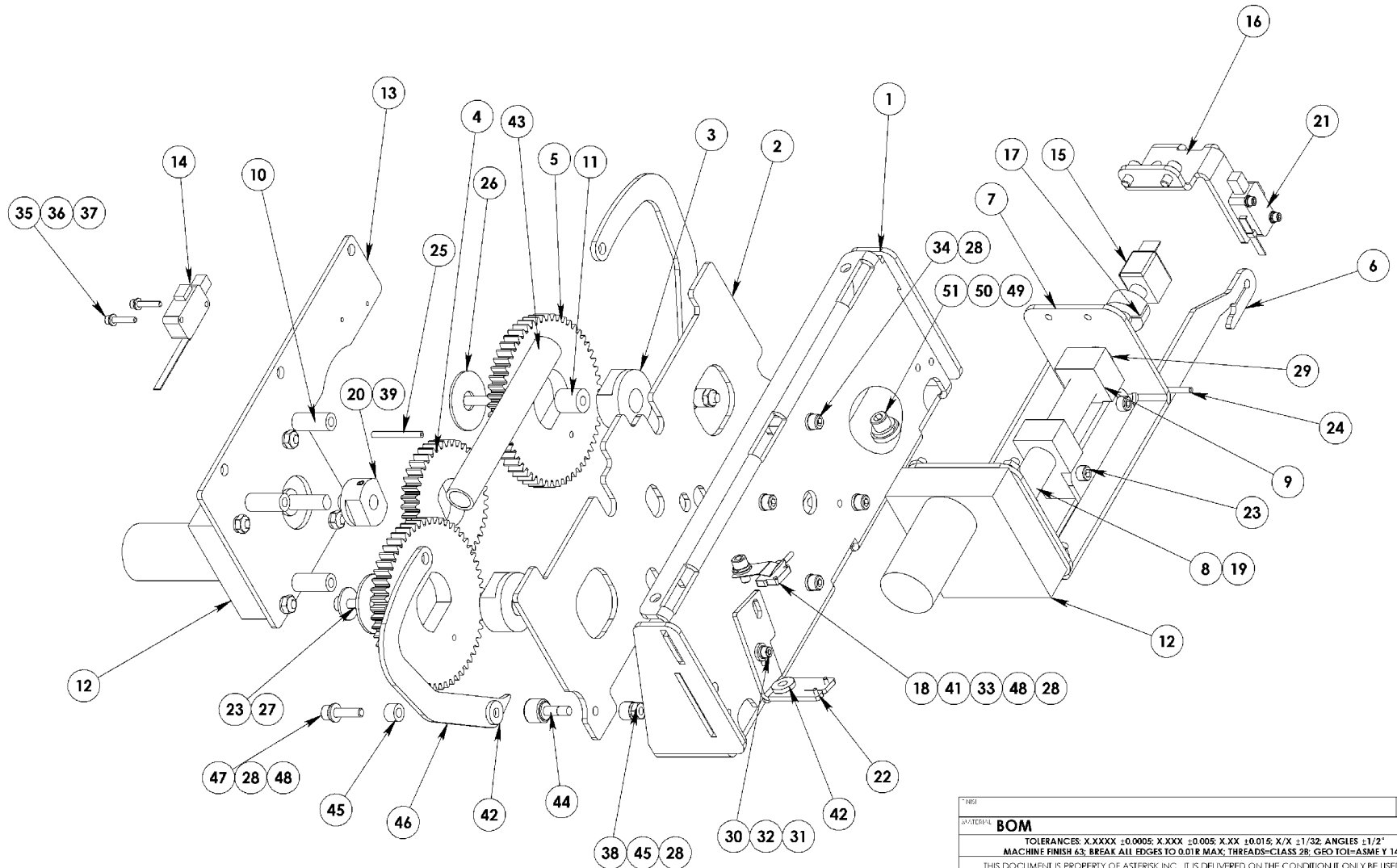


| ITEM NO. | PART NUMBER | DESCRIPTION  | EXPLODED/QTY. |
|----------|-------------|--|---------------|
| 1        | 7707557     | DETECT FINGER B  | 1             |
| 2        | 1730472     | ROUND SPACER, STEEL, 0.500 OD X 0.192 ID X 0.625 LG                        | 2             |
| 3        | 7707949     | DETECT CLAMP   | 1             |
| 4        | 7707481     | MECHANICAL SWITCH NO BAT LIGHT FORCE                                       | 1             |
| 5        | 7707448     | EXTENSION SPRING, MUSIC WIRE, STEEL, 1/4OD X 0.015W X 2.5L                 | 1             |
| 6        | 7707695     | DC ROLLER CLUTCH AND BEARING ASSEMBLY 3/8 BORE                             | 2             |
| 7        | 7707457     | Buna-N O-Ring As568A Dash No. 215  | 6             |
| 8        | 7707930     | GRASPER ROLLER SHAFT   | 2             |
| 9        | 7707943     | ORING SLEEVE   | 2             |
| 10       | 1953604     | SNAP IN NYLINER BEARING NYLON 0.375 ID X 0.437 OD X 0.140L                 | 8             |
| 11       | 9950062     | RADIAL BALL BEARING 3/16 ID 1/2 OD SEALED AND SHIELDED WITH EXT INNER RACE | 1             |
| 12       | 7707942     | STACK TOP FINGER   | 1             |
| 13       | 7707941     | BEARING BLOCK  | 1             |
| 14       | 7707909     | SENSOR ARM   | 1             |
| 15       | 7707678     | HALL EFFECT ROTARY POSITION SENSOR   | 1             |
| 16       | 7707938     | DETECTOR BRACKET   | 1             |
| 17       | 7707939     | ANTI BACKUP BRACKET LH   | 1             |
| 18       | 7707940     | Anti-Backup Bracket RH   | 1             |
| 19       | 7707952     | RETARD PIVOT SHAFT   | 1             |
| 20       | 7707910     | PIVOT SHAFT  | 1             |
| 21       | 1730658     | SOCKET CAP SCREW 18-8 STAINLESS #4-40 X 1                                  | 1             |
| 22       | 1925062     | FLAT WASHER MS 15795 MIL, STAINLESS #4, 0.125ID X 0.312OD X 0.040THK       | 2             |
| 23       | 1926060     | SPRING LOCK WASHER REGULAR, 18-8 STAINLESS #4                              | 1             |
| 24       | 19800706    | SHCS SS #10-32 X 7/8   | 2             |
| 25       | 1980702     | HEX NUT 18-8 STAINLESS #10-32  | 2             |
| 26       | 1926063     | SPRING LOCK WASHER REGULAR, 18-8 STAINLESS #10                             | 2             |
| 27       | 7707917     | INPUT BRACKET  | 1             |



| ITEM NO. | QTY. | PART NO. | DESCRIPTION  |
|----------|------|----------|--|
| 1        | 4    | 7707965  | LONG STANDOFF  |
| 2        | 1    | 7707739  | PN Brace   |
| 3        | 2    | 7707999  | FOLLOWER WEAR PLATE  |
| 4        | 2    | 7707973  | SLUG CHUTE RETAINER  |
| 5        | 2    | 7707962  | CAM FOLLOWER MOUNT   |
| 6        | 2    | 7707956  | PUNCH DRIVE ARM  |
| 7        | 1    | 7707960  | TIE BAR  |
| 8        | 2    | 7707954  | SIDE PLATE   |
| 9        | 8    | 1722964  | SHCS SS 5/16-18 X 1  |
| 10       | 8    | 1926065  | SPRING LOCK WASHER REGULAR, 18-8 STAINLESS 5/16"                                       |
| 11       | 8    | 1925066  | FLAT WASHER MS 15795 MIL, STAINLESS 5/16, 0.344ID X 0.688OD X 0.080THK                 |
| 12       | 8    | 1980097  | SOCKET CAP SCREW 18-8 STAINLESS #1/4-20 X 7/8  |
| 13       | 8    | 1926064  | SPRING LOCK WASHER REGULAR, 18-8 STAINLESS 1/4"  |
| 14       | 4    | 1730640  | FLAT WASHER AN 960 C, STAINLESS 0.265ID X 0.500OD X 0.073THK                           |
| 15       | 4    | 1980070  | SOCKET CAP SCREW 18-8 STAINLESS #10-32 X 3/8   |
| 16       | 4    | 1926063  | SPRING LOCK WASHER REGULAR, 18-8 STAINLESS #10   |
| 17       | 4    | 1980479  | FLAT HEAD SOCKET CAP SCREW 18-8 STAINLESS #10-32 X 3/8                                 |
| 18       | 12   | 7707543  | Adjustable-Height Radial-Load Track Roller 1" Roller Dia, 5/8" Roller Width            |
| 19       | 14   | 7707622  | Grade 5 Zinc-Plated Steel Hex Thin (Jam) Nut 7/16"-20 Screw Size, 11/16" WD, 1/4" HT   |
| 20       | 14   | 1722965  | Zinc-Plated Steel Spring Lock Washer 7/16" Screw Sz, .450" ID, .776" OD, .109" Min Thk |
| 21       | 14   | 1730398  | FW NYLON 3/8 X 9/16 X 1/32   |
| 22       | 14   | 7707592  | FLAT WASHER MS 15795 MIL, STAINLESS 7/16, 0.468ID X 0.921OD X 0.080 THK                |
| 23       | 2    | 7707545  | Radial-Load Stud Track Roller Sealed, 1" Roller Dia, 5/8" W, 7/16" Stud Dia            |

|        |             |     |   |    |   |
|--------|-------------|-----|---|----|---|
| TITLE  | Punch Frame | SHT | 1 | OF | 1 |
| ITEM # | PNS01000    |     |   |    |   |
| REV    |             |     |   |    |   |



|  |              |                     |      |
|--|--------------|---------------------|------|
| PART   |              | REV: 1:2            |      |
| MATERIAL BOM   |              |                     |      |
| TOLERANCES: X.XXXX ±0.0005; X.XXX ±0.005; X.XX ±0.015; X/X ±1/32; ANGLES ±1/2°   |              |                     |      |
| MACHINE FINISH 63; BREAK ALL EDGES TO 0.01R MAX; THREADS=CLASS 2B; GEO TOL=ASME Y 14.5   |              |                     |      |
| THIS DOCUMENT IS PROPERTY OF ASTERISK INC. IT IS DELIVERED ON THE CONDITION IT ONLY BE USED FOR THE BENEFIT OF ASTERISK. NO OTHER RIGHT IS GRANTED TO USE OR DISCLOSE THE INFORMATION IT CONTAINS. |              |                     |      |
| ENG  | CONTROL DATE | 6/4/2003 9:19:03 AM |      |
| TITLE DIE SET CLAMP SUB  |              | SHT 1               | OF 2 |
| www.asteriskinc.com  |              | REV                 | 0    |
| 4 Business Park Rd Old Saybrook CT 06475 860.388.3811  |              | PNS04010            |      |

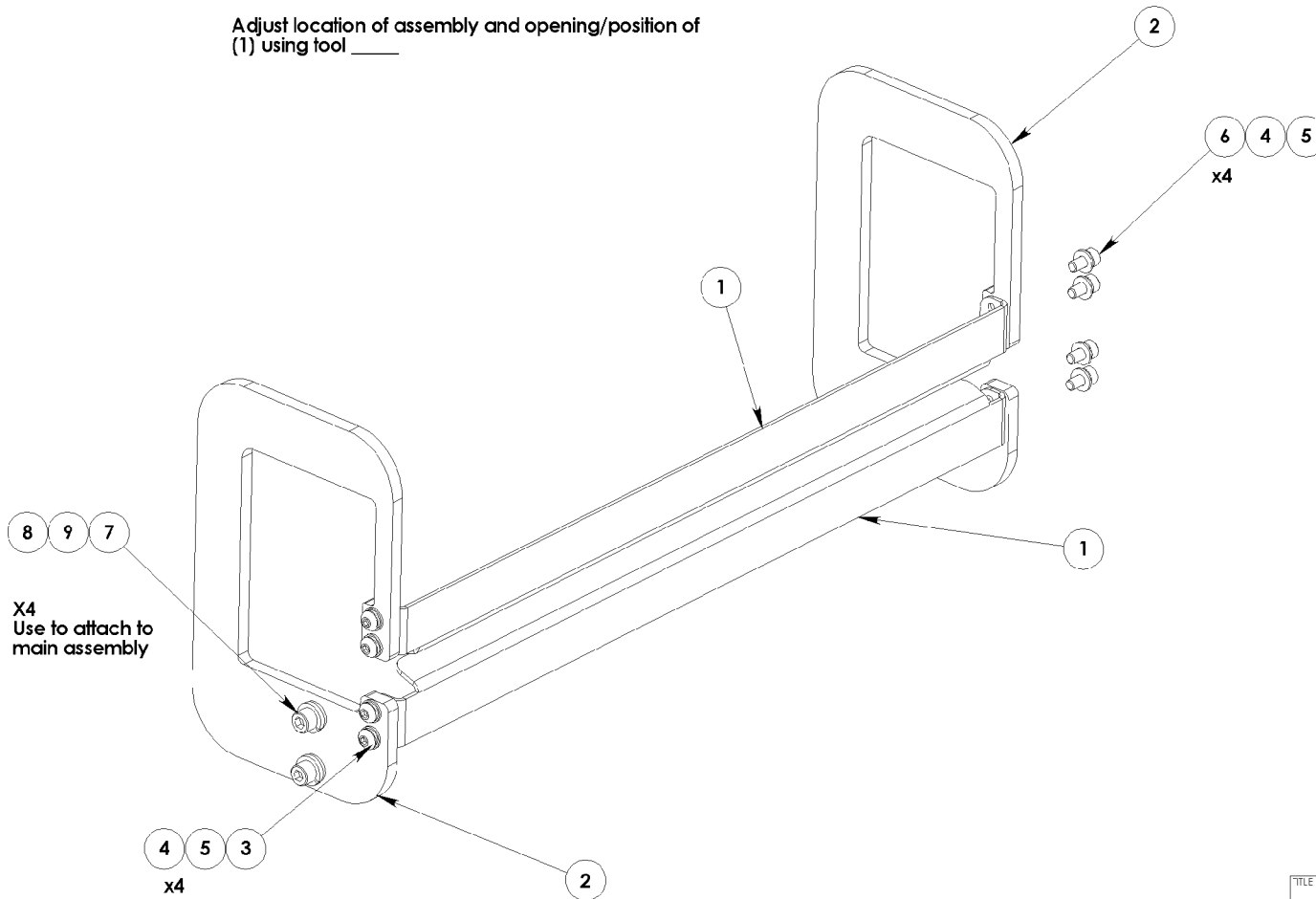
| ITEM NO. | PART NUMBER | DESCRIPTION  | with fasteners/QTY. |
|----------|-------------|--|---------------------|
| 1        | 7707976     | DIE CLAMP BRACKET  | 1                   |
| 2        | 7707977     | DIE CLAMP WEDGE PLATE  | 1                   |
| 3        | 7707978     | DIESET CLAMP CAM   | 2                   |
| 4        | 7707979     | CLAMP MOTOR GEAR   | 1                   |
| 5        | 7707980     | CAM GEAR   | 2                   |
| 6        | 7707981     | DIESET FIN LATCH   | 1                   |
| 7        | 7707982     | DIESET ADJUST BRACKET  | 1                   |
| 8        | 7707983     | DIE ADJUST SCREW   | 1                   |
| 9        | 7707984     | DIE ADJUST BLOCK   | 1                   |
| 10       | 7707642     | ROUND ALUMINUM SPACER #10 X 3/8 OD X 7/8 L                               | 4                   |
| 11       | 7707985     | CAM SHAFT  | 2                   |
| 12       | 7707528     | 24 VOLT DC GEARMOTOR 47 RPM 28 IN-LB                                     | 2                   |
| 13       | 7707990     | Switch Bracket   | 1                   |
| 14       | 7707508     | SWITCH   | 1                   |
| 15       | 7707482     | Rotary Optical Encoder   | 1                   |
| 16       | 7707994     | SENSOR BRACKET   | 1                   |
| 17       | 7707633     | RECORD ONE   | 1                   |
| 18       | 7707522     | Photoelectric Sensor   | 1                   |
| 19       | 7707634     | TWO-PIECE CLAMP STYLE COLLAR STEEL BLACK FINISH 1/2ID X 1-1/8OD X 13/32W | 1                   |
| 20       | 7707998     | GEAR HUB   | 1                   |
| 21       | 7707478     | SHORT STRAIGHT BAT MECHANICAL SWITCH                                     | 1                   |
| 22       | 7707993     | BARCODE SENSOR BRACKET   | 1                   |
| 23       | 1980076     | SHCS SS #10-32 X 7/8   | 4                   |
| 24       | 7707439     | COILED SPRING PIN CARBON STEEL, PLAIN FINISH 1/8 X 1                     | 1                   |
| 25       | 7707440     | COILED SPRING PIN CARBON STEEL, PLAIN FINISH 1/8 X 1.25                  | 1                   |
| 26       | 1925605     | FENDER WASHER 18-8 STAINLESS 3/8, 13/32ID X 1-1/4OD X 0.062THK           | 2                   |
| 27       | 1925604     | FENDER WASHER 18-8 STAINLESS #10, 13/64ID X 11/16OD X 0.050THK           | 2                   |
| 28       | 1926063     | SPRING LOCK WASHER REGULAR, 18-8 STAINLESS #10                           | 21                  |
| 29       | 7707461     | SNAP IN NYLINER BEARING NYLON 0.375 ID X 0.437 OD X 0.140L               | 1                   |
| 30       | 1980028     | SOCKET CAP SCREW 18-8 STAINLESS #6-32 X 3/8                              | 1                   |
| 31       | 1926061     | SPRING LOCK WASHER REGULAR, 18-8 STAINLESS #6                            | 1                   |
| 32       | 1925063     | FLAT WASHER MS 15795 MIL STAINLESS #6, 0.156ID X 0.375OD X 0.065THK      | 1                   |
| 33       | 1980070     | SOCKET CAP SCREW 18-8 STAINLESS #10-32 X 3/8                             | 5                   |
| 34       | 1980079     | SHCS SS #10-32 X 1-1/4   | 4                   |
| 35       | 1730414     | SOCKET CAP SCREW 18-8 STAINLESS #4-40 X 5/8                              | 4                   |
| 36       | 1926060     | SPRING LOCK WASHER REGULAR, 18-8 STAINLESS #4                            | 4                   |
| 37       | 1925067     | FLAT WASHER MS15795 MIL STAINLESS 0.125ID X 0.250OD X 0.028THK           | 4                   |
| 38       | 1980702     | HEX NUT 18-8 STAINLESS #10-32  | 10                  |
| 39       | 1900091     | C>SSS #8-32 X 3/16 AS  | 1                   |
| 40       | 7707637     | Metric 18-8 Hardened Steel Dowel Pin M2 Diameter, 6mm Length             | 2                   |
| 41       | 7708001     | SPRING CLIP  | 1                   |
| 42       | 1925080     | FPW CHS 1/4  | 3                   |
| 43       | 7707473     | EXTENSION SPRING MUSIC WIRE 5/8OD X 0.069W X 4.5L                        | 1                   |
| 44       | 7707544     | CAM FOLLOWER 1/2 STUD  | 2                   |
| 45       | 1730394     | DRILL BUSHING, HEADLESS, PRESS FIT, 0.2031ID X 3/8 OD X 1/4L             | 4                   |
| 46       | 7708003     | LEVER ARM  | 2                   |
| 47       | 1900563     | SHCS SS #10-32 X 5/8   | 2                   |
| 48       | 1925060     | FLAT WASHER MS 15795 MIL STAINLESS #10, 0.219ID X 0.438OD X 0.065THK     | 3                   |
| 49       | 1925081     | FPW CHS 1/4  | 2                   |
| 50       | 1926064     | SPRING LOCK WASHER REGULAR, 18-8 STAINLESS 1/4"                          | 2                   |
| 51       | 1980095     | SHCS SS 1/4-20 X 2.25  | 2                   |

|  |               |                   |        |
|--|---------------|-------------------|--------|
| FINISH   |               | SCALE: <b>1:8</b> |        |
| MATERIAL   |               |                   |        |
| TOLERANCES: X.XXXX ±0.0005; X.XXX ±0.005; X.XX ±0.015; X/X ±1/32; ANGLES ±1/2°   |               |                   |        |
| MACHINE FINISH 63; BREAK ALL EDGES TO 0.01 R MAX; THREADS=CLASS 2B; GEO TOL=ASME Y 14.5  |               |                   |        |
| THIS DOCUMENT IS PROPERTY OF ASTERISK INC. IT IS DELIVERED ON THE CONDITION IT ONLY BE USED FOR THE BENEFIT OF ASTERISK. NO OTHER RIGHT IS GRANTED TO USE OR DISCLOSE THE INFORMATION IT CONTAINS. |               |                   |        |
| ENG  | CONTROL DATE: | SHT               | 2 OF 2 |
| TITLE  |               | REV               | 2      |
| <b>as.ter.isk*</b> www.asteriskinc.com<br>4 Business Park Rd Old Saybrook CT 06475 860.388.3811  |               | <b>PNS04010</b>   |        |

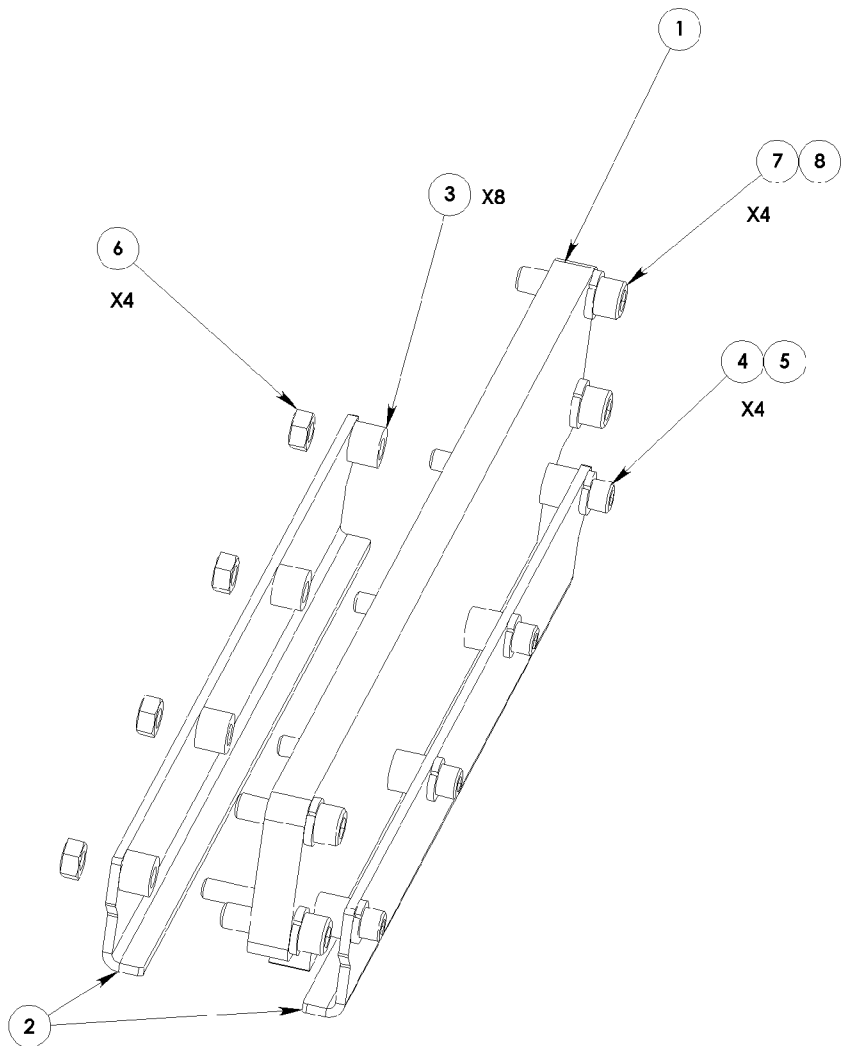


| ITEM NO. | QTY. | PART NO. | DESCRIPTION   |
|----------|------|----------|---|
| 1        | 2    | 7707969  | DIE SET INFEED  |
| 2        | 2    | 7707970  | INFEED MOUNT  |
| 3        | 4    | 1980281  | BUTTON HEAD SOCKET CAP SCREW 18-8 STAINLESS #10-32 X 1/2              |
| 4        | 8    | 1925060  | FLAT WASHER MS 15795 MIL, STAINLESS #10, 0.219ID X 0.438OD X 0.065THK |
| 5        | 8    | 1926063  | SPRING LOCK WASHER REGULAR, 18-8 STAINLESS #10                        |
| 6        | 4    | 1980070  | SOCKET CAP SCREW 18-8 STAINLESS #10-32 X 3/8                          |
| 7        | 4    | 1980095  | SHCS SS 1/4-20 X 2.25   |
| 8        | 4    | 1926064  | SPRING LOCK WASHER REGULAR, 18-8 STAINLESS 1/4"                       |
| 9        | 4    | 1730640  | FLAT WASHER AN 960 C, STAINLESS 0.265ID X 0.500OD X 0.073THK          |

Adjust location of assembly and opening/position of (1) using tool \_\_\_\_\_



|        |              |     |   |    |   |
|--------|--------------|-----|---|----|---|
| TITLE  | INFEED GUIDE | SHT | 1 | OF | 1 |
| ITEM # | PNS05000     | REV | 0 |    |   |

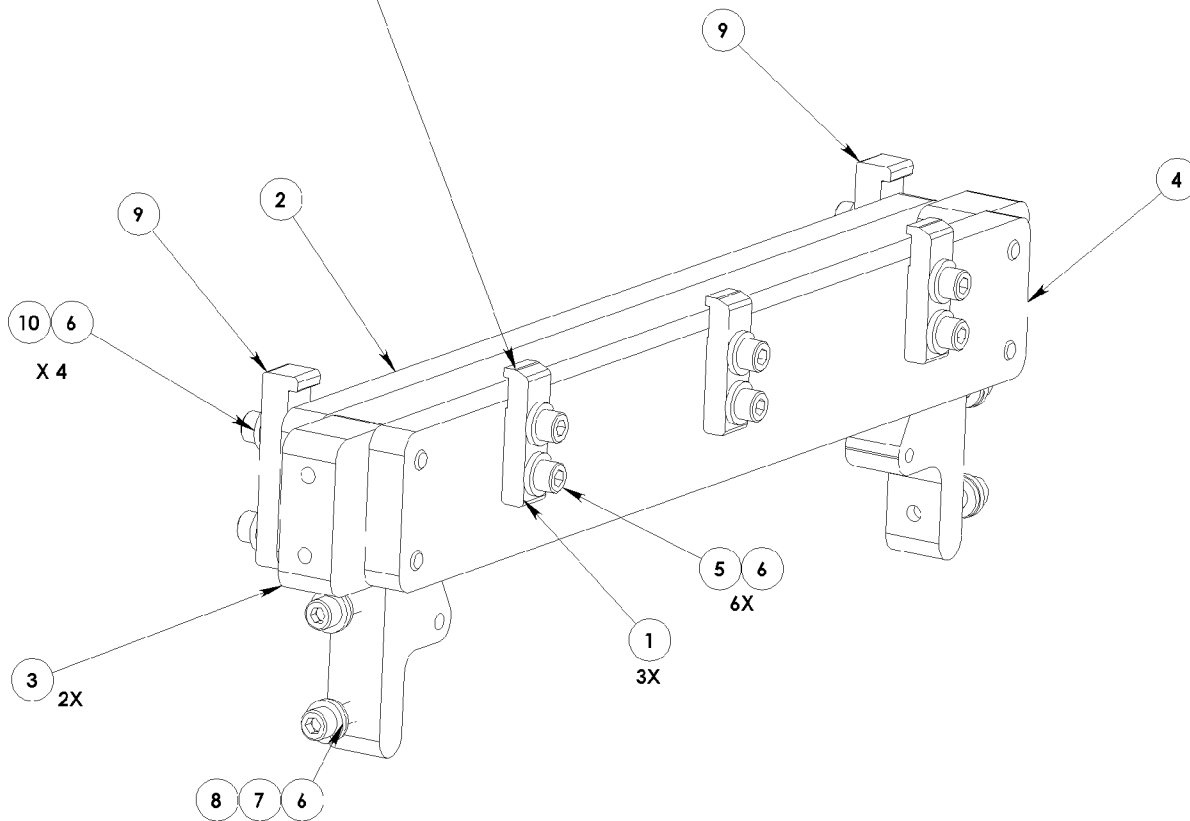


| ITEM NO. | QTY. | PART NO. | DESCRIPTION                                      |
|----------|------|----------|--|
| 1        | 1    | 7707957  | DRIVE BAR  |
| 2        | 2    | 7707959  | STRIPPER BRACKET                                 |
| 3        | 8    | 1730468  | ROUND SPACER ALUMINUM 1/2OD X 1/4ID X 3/8L       |
| 4        | 4    | 1730438  | SHCS SS 1/4-20 X 2                               |
| 5        | 4    | 1926064  | SPRING LOCK WASHER REGULAR, 18-8 STAINLESS 1/4"  |
| 6        | 4    | 1980703  | HEX NUT 18-8 STAINLESS 1/4-20                    |
| 7        | 4    | 1722964  | SHCS SS 5/16-18 X 1                              |
| 8        | 4    | 1926065  | SPRING LOCK WASHER REGULAR, 18-8 STAINLESS 5/16" |

|        |            |     |   |    |   |
|--------|------------|-----|---|----|---|
| TITLE  | DRIVER BAR | SHT | 1 | OF | 1 |
| ITEM # | PNS06000   | REV | 0 |    |   |

| ITEM NO. | QTY. | PART NO. | DESCRIPTION  |
|----------|------|----------|--|
| 1        | 3    | 7707966  | DIE SET HOLD DOWN  |
| 2        | 1    | 7707961  | DIE SET MOUNT BAR  |
| 3        | 2    | 7707971  | MOUNT BLOCK  |
| 4        | 1    | 7707955  | DIE SET MOUNT  |
| 5        | 6    | 1980095  | SHCS SS 1/4-20 X 2.25  |
| 6        | 14   | 1926064  | SPRING LOCK WASHER REGULAR, 18-8 STAINLESS 1/4"              |
| 7        | 4    | 1980098  | SHCS SS 1/4-20 X 1   |
| 8        | 4    | 1730640  | FLAT WASHER AN 960 C, STAINLESS 0.265ID X 0.500OD X 0.073THK |
| 9        | 2    | 7708002  | REAR CLAMP FINGER  |
| 10       | 4    | 7707620  | SHCS SS 1/4-20 X 2.25  |

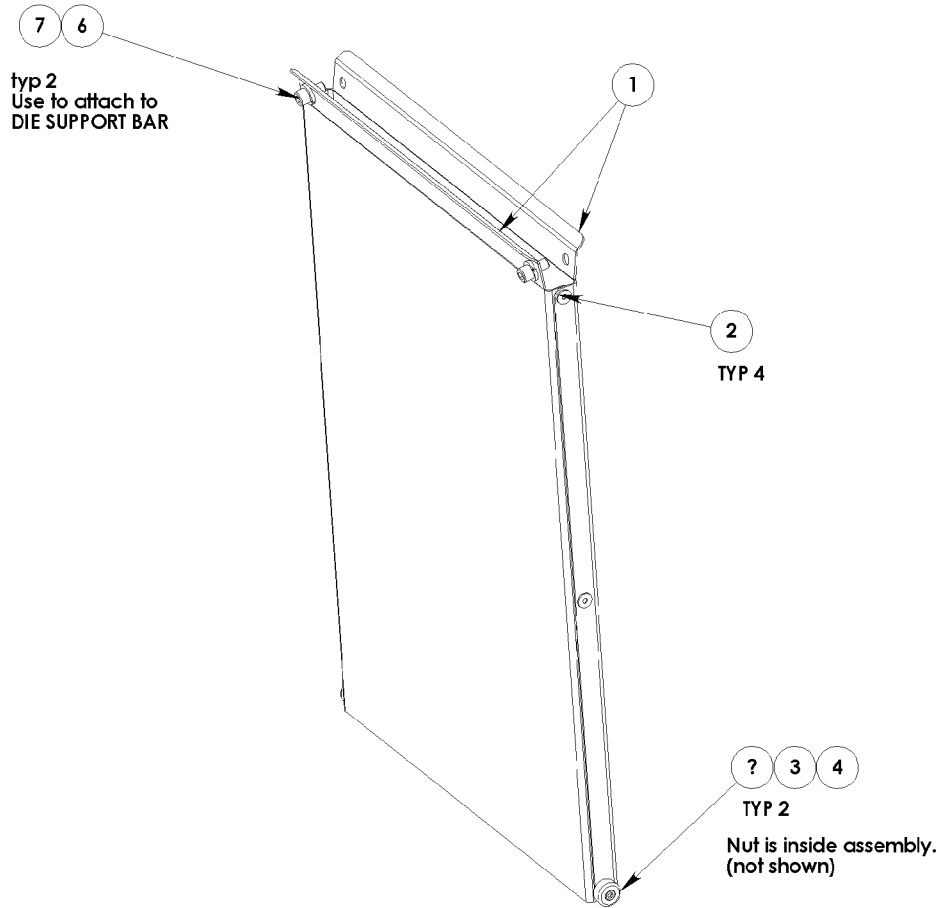
Adjust height of 3 fingers above bar using 0.288 gauge block



4X Used to attach assembly to side plates

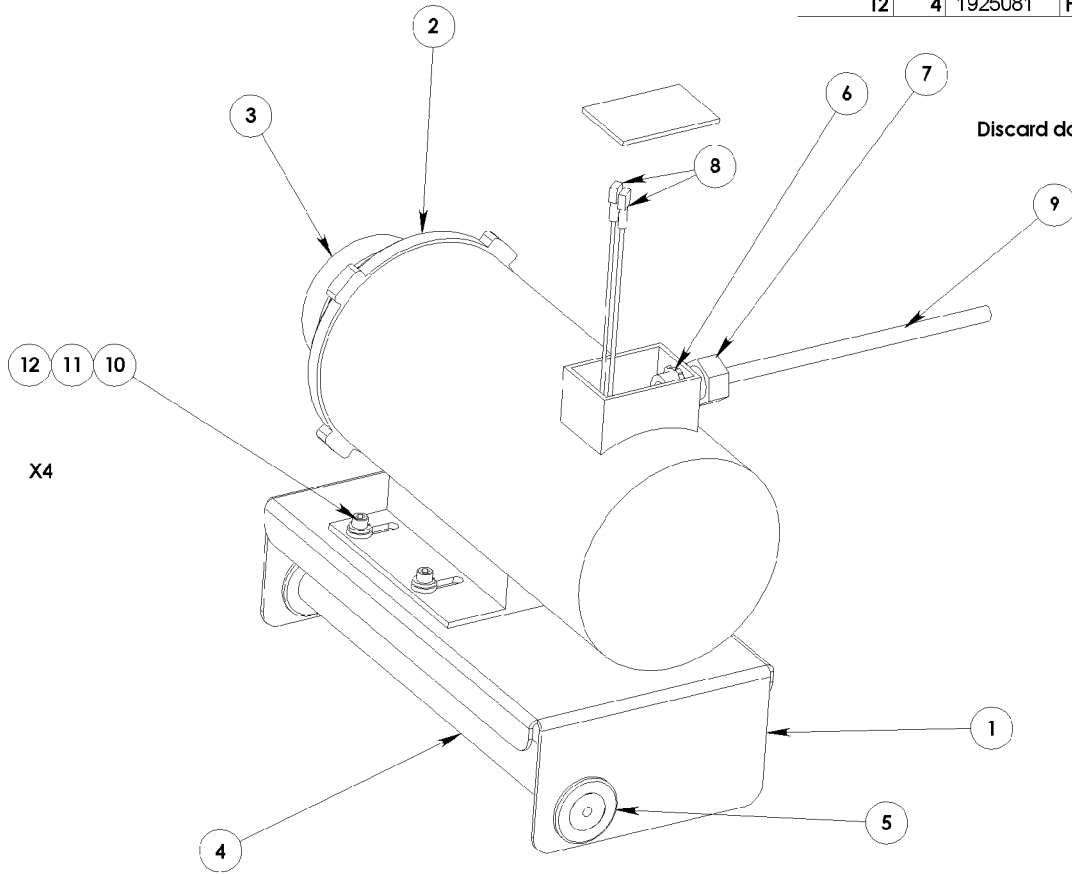
|        |               |     |     |    |   |
|--------|---------------|-----|-----|----|---|
| TITLE  | Die Set Mount | SHT | 1   | OF | 1 |
| ITEM # | PNS07000      |     | REV | 1  |   |

| ITEM NO. | QTY. | PART NO. | DESCRIPTION   |
|----------|------|----------|---|
| 1        | 2    | 7707972  | SLUG CHUTE  |
| 2        | 4    | 7707630  | Plain Steel Std Blind Rivet W/Steel Mandrel Dome, 3/16" Dia, .126"-.250" Matl Thk |
| 3        | 2    | 1922111  | SHCS SS #8-32 X 1/2   |
| 4        | 2    | 1980851  | NYLON INSERT HEX LOCK NUT 18-8 STAINLESS #8-32                                    |
| 5        | 2    | 1730491  | RECESSED BUMPER RUBBER 5/8OD X 5/32ID X 9/32H                                     |
| 6        | 2    | 1980094  | SHCS SS 1/4-20 X 1/2  |
| 7        | 2    | 1926064  | SPRING LOCK WASHER REGULAR, 18-8 STAINLESS 1/4"                                   |



|        |            |     |   |    |   |
|--------|------------|-----|---|----|---|
| TITLE  | SLUG CHUTE | SHT | 1 | OF | 1 |
| ITEM # | PNS08000   | REV | 0 |    |   |

| ITEM NO. | QTY. | PART NO. | DESCRIPTION  |
|----------|------|----------|--|
| 1        | 1    | 7707968  | MOTOR BRACKET  |
| 2        | 1    | 7707526  | PUNCH MOTOR  |
| 3        | 1    | 7707690  | Cast Iron Finished-Bore V-Belt Pulley 3.55" OD, 5/8" Bore                                |
| 4        | 1    | 7707965  | LONG STANDOFF  |
| 5        | 2    | 7707674  | Military Specification Rubber Grommet MS 35489 No. 23, AN 931 No. 16-22                  |
| 6        | 1    | 7707621  | 1/2" Conduit Locknut, Zinc Plated Steel  |
| 7        | 1    | 7707668  | Liquidtight Strain Relief Cord Connector, 1/2" Conduit, Cable Range 0.250 - 0.375 Inches |
| 8        | 2    | 9950315  | FEMALE QUICK CONNECT INSULATED 14-16 AWG 0.250 X 0.032                                   |
| 9        | 1    | 7707753  | Main Motor Cable   |
| 10       | 4    | 1980097  | SOCKET CAP SCREW 18-8 STAINLESS #1/4-20 X 7/8  |
| 11       | 4    | 1926064  | SPRING LOCK WASHER REGULAR, 18-8 STAINLESS 1/4"  |
| 12       | 4    | 1925081  | FFW CHS 1/4"   |

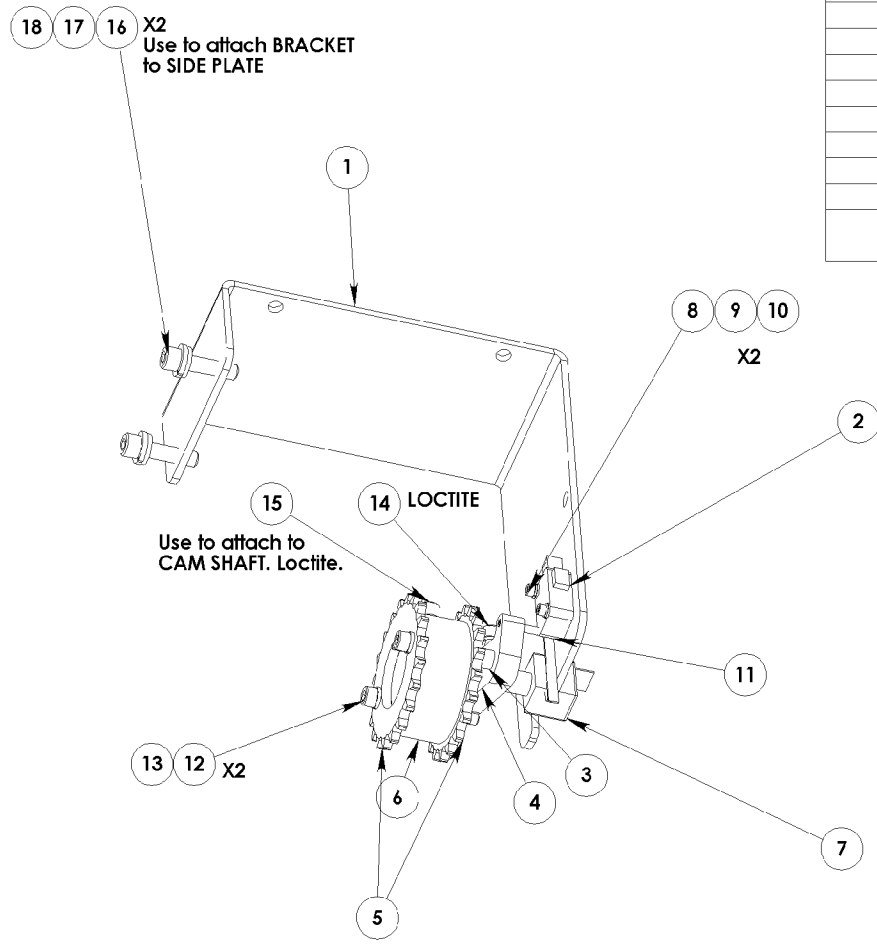


Discard domed metal washer

insert harness through strain relief and tighten to grip cable.  
 Attach Blue cable wire to motor wire labeled A1, Green cable wire to  
 ground screw and remaining cable wire to remaining motor wire.

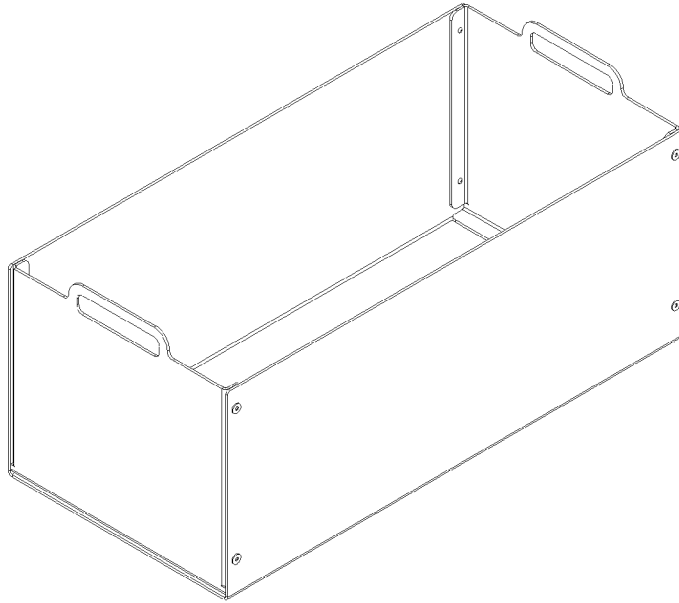
|        |            |     |   |    |   |
|--------|------------|-----|---|----|---|
| TITLE  | MAIN MOTOR | SHT | 1 | OF | 1 |
| ITEM # | PNS09000   | REV | 0 |    |   |

| ITEM NO. | QTY. | PART NO. | DESCRIPTION   |
|----------|------|----------|---|
| 1        | 1    | 7707995  | ENCODER BRACKET   |
| 2        | 1    | 7707508  | SWITCH  |
| 3        | 2    | 1924817  | ROUND SPACER ALUMINUM 5/16OD X #10ID X 1/4L                     |
| 4        | 1    | 7707989  | HOME SWITCH ACTUATOR  |
| 5        | 2    | 1722973  | SPROCKET  |
| 6        | 1    | 7707988  | SPROCKET HUB  |
| 7        | 1    | 7707482  | Rotary Optical Encoder  |
| 8        | 2    | 1730414  | SOCKET CAP SCREW 18-8 STAINLESS #4-40 X 5/8                     |
| 9        | 2    | 1926060  | SPRING LOCK WASHER REGULAR, 18-8 STAINLESS #4                   |
| 10       | 2    | 1925067  | FLAT WASHER MS15795 MIL, STAINLESS 0.125ID X 0.250OD X 0.028THK |
| 11       | 1    | 1931522  | COILED SPRING PIN CARBON STEEL, PLAIN FINISH 1/8 X 1            |
| 12       | 2    | 1980081  | SHCS SS #10-32 X 1-3/4  |
| 13       | 2    | 1926063  | SPRING LOCK WASHER REGULAR, 18-8 STAINLESS #10                  |
| 14       | 1    | 1980072  | SHCS SS #10-32 X 1/2  |
| 15       | 1    | 1980095  | SHCS SS 1/4-20 X 2.25   |
| 16       | 2    | 1980098  | SHCS SS 1/4-20 X 1  |
| 17       | 2    | 1926064  | SPRING LOCK WASHER REGULAR, 18-8 STAINLESS 1/4"                 |
| 18       | 2    | 1730640  | FLAT WASHER AN 960 C, STAINLESS 0.265ID X 0.500OD X 0.073THK    |



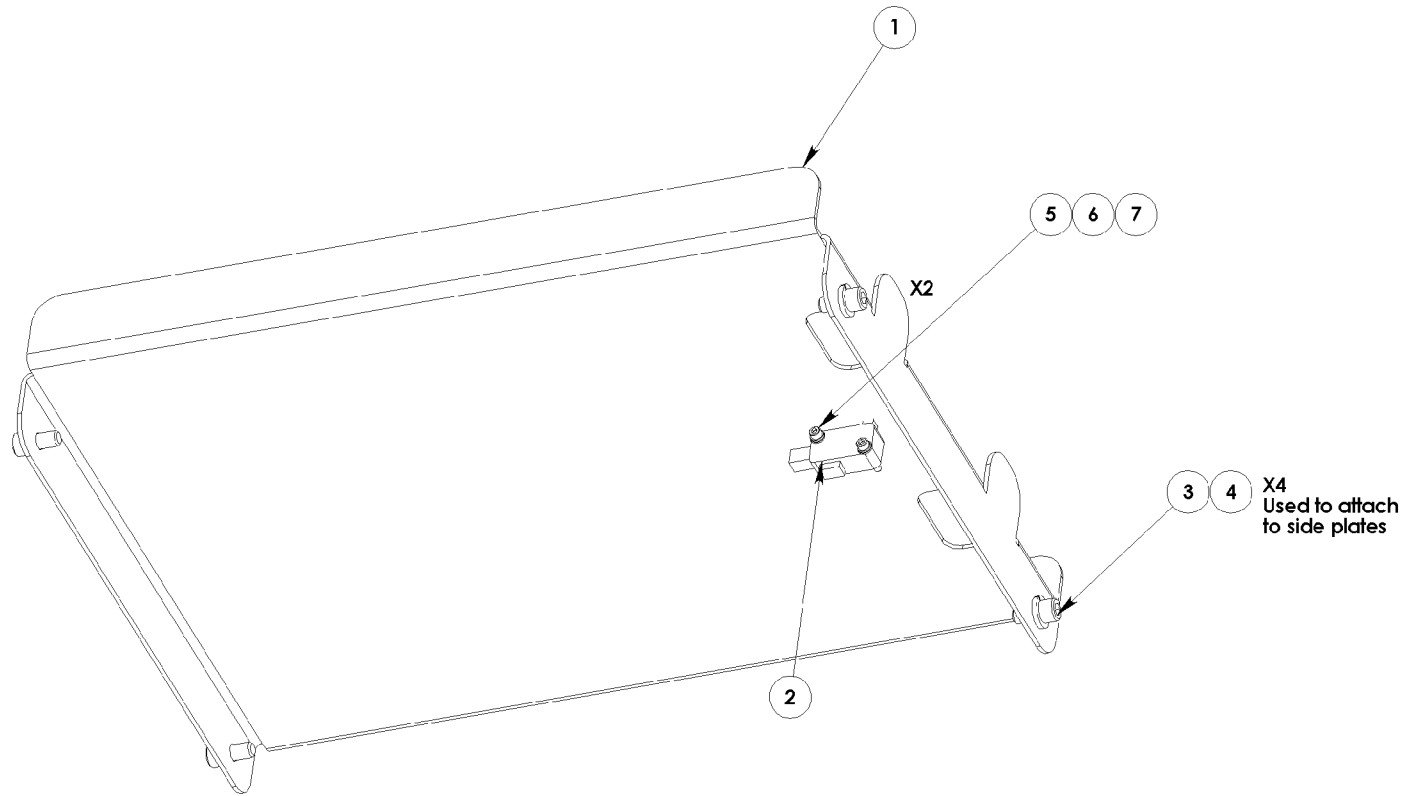
**BOM FOR FACTORY REFERENCE ONLY  
ORDER PNS11000 FOR ENTIRE BIN**

| ITEM NO. | PART NUMBER | DESCRIPTION   | QTY. |
|----------|-------------|---|------|
| 1        | 7707996     | Slug Bin Body   | 1    |
| 2        | 7707997     | Slug Bin Side   | 2    |
| 3        | 7707630     | Plain Steel Std Blind Rivet W/Steel Mandrel Dome, 3/16" Dia, .126"-.250" Matl Thk | 8    |



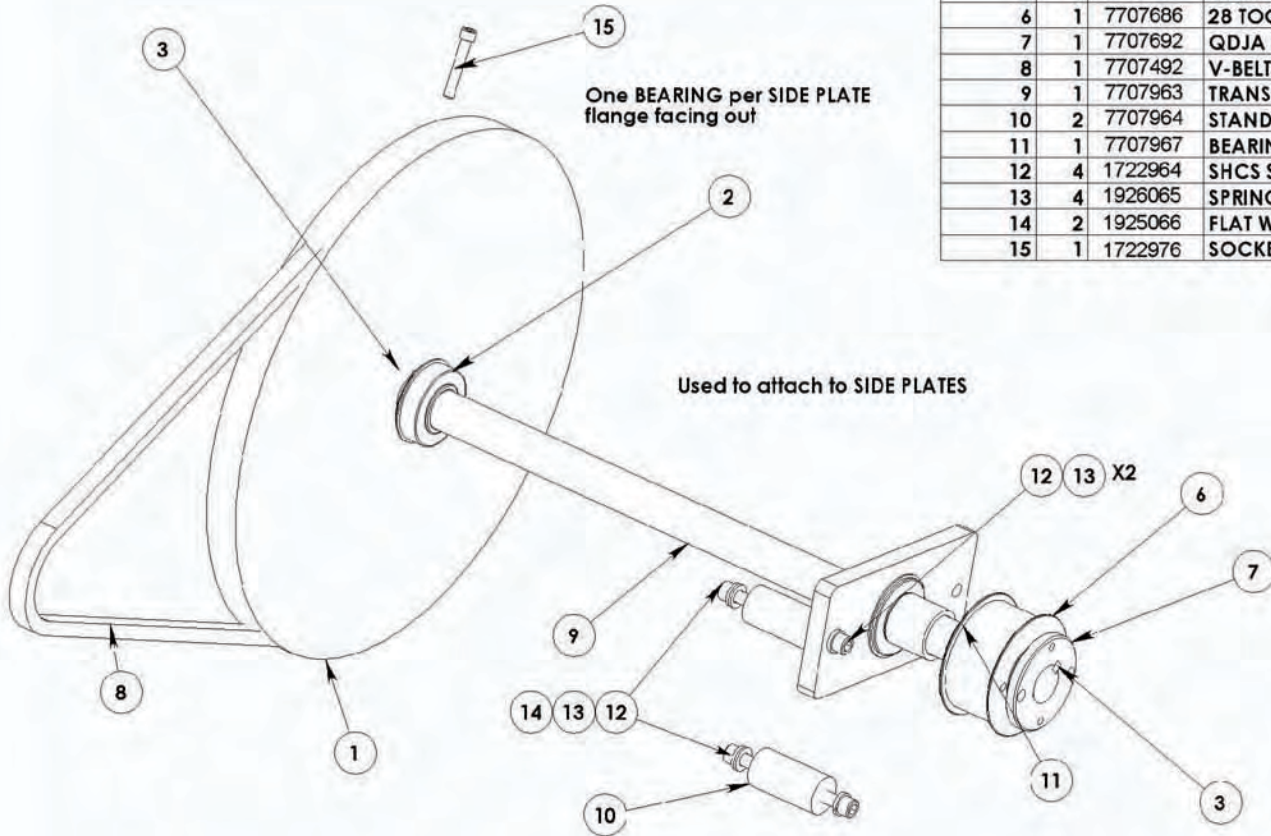
|        |          |     |   |    |   |
|--------|----------|-----|---|----|---|
| TITLE  | SLUG BIN | SHT | 1 | OF | 1 |
| ITEM # | PNS11000 | REV | 0 |    |   |

| ITEM NO. | QTY. | PART NO. | DESCRIPTION   |
|----------|------|----------|---|
| 1        | 1    | 1722974  | Slug Bin Tray   |
| 2        | 1    | 1722975  | Miniature Switch, Short Roller                                  |
| 3        | 4    | 1980094  | SHCS SS 1/4-20 X 1/2  |
| 4        | 4    | 1926064  | SPRING LOCK WASHER REGULAR, 18-8 STAINLESS 1/4"                 |
| 5        | 2    | 1730414  | SOCKET CAP SCREW 18-8 STAINLESS #4-40 X 5/8                     |
| 6        | 2    | 1926060  | SPRING LOCK WASHER REGULAR, 18-8 STAINLESS #4                   |
| 7        | 2    | 1925067  | FLAT WASHER MS15795 MIL, STAINLESS 0.125ID X 0.250OD X 0.028THK |





| ITEM NO. | QTY. | PART NO. | DESCRIPTION  |
|----------|------|----------|--|
| 1        | 1    | 7707691  | V-BELT PULLEY  |
| 2        | 2    | 7707539  | 1" RADIAL BALL BEARING   |
| 3        | 2    | 7708000  | SQUARE KEY   |
| 4        | 1    | 7707430  | Nylon 6/6 Small-OD Flat Washer 1" ID, 1-1/4" OD, .063" Thick           |
| 5        | 1    | 7707992  | BEARING RETAINER SPACER  |
| 6        | 1    | 7707686  | 28 TOOTH 8 MM PITCH 1.18 WIDE HPT SPROCKET                             |
| 7        | 1    | 7707692  | QDJA BUSHING   |
| 8        | 1    | 7707492  | V-BELT   |
| 9        | 1    | 7707963  | TRANSFER SHAFT   |
| 10       | 2    | 7707964  | STANDOFF   |
| 11       | 1    | 7707967  | BEARING BLOCK  |
| 12       | 4    | 1722964  | SHCS SS 5/16-18 X 1  |
| 13       | 4    | 1926065  | SPRING LOCK WASHER REGULAR, 18-8 STAINLESS 5/16"                       |
| 14       | 2    | 1925066  | FLAT WASHER MS 15795 MIL, STAINLESS 5/16, 0.344ID X 0.688OD X 0.080THK |
| 15       | 1    | 1722976  | SOCKET CAP SCREW ALLOY STEEL, BLACK FINISH #1/4-20 X 1-1/4             |

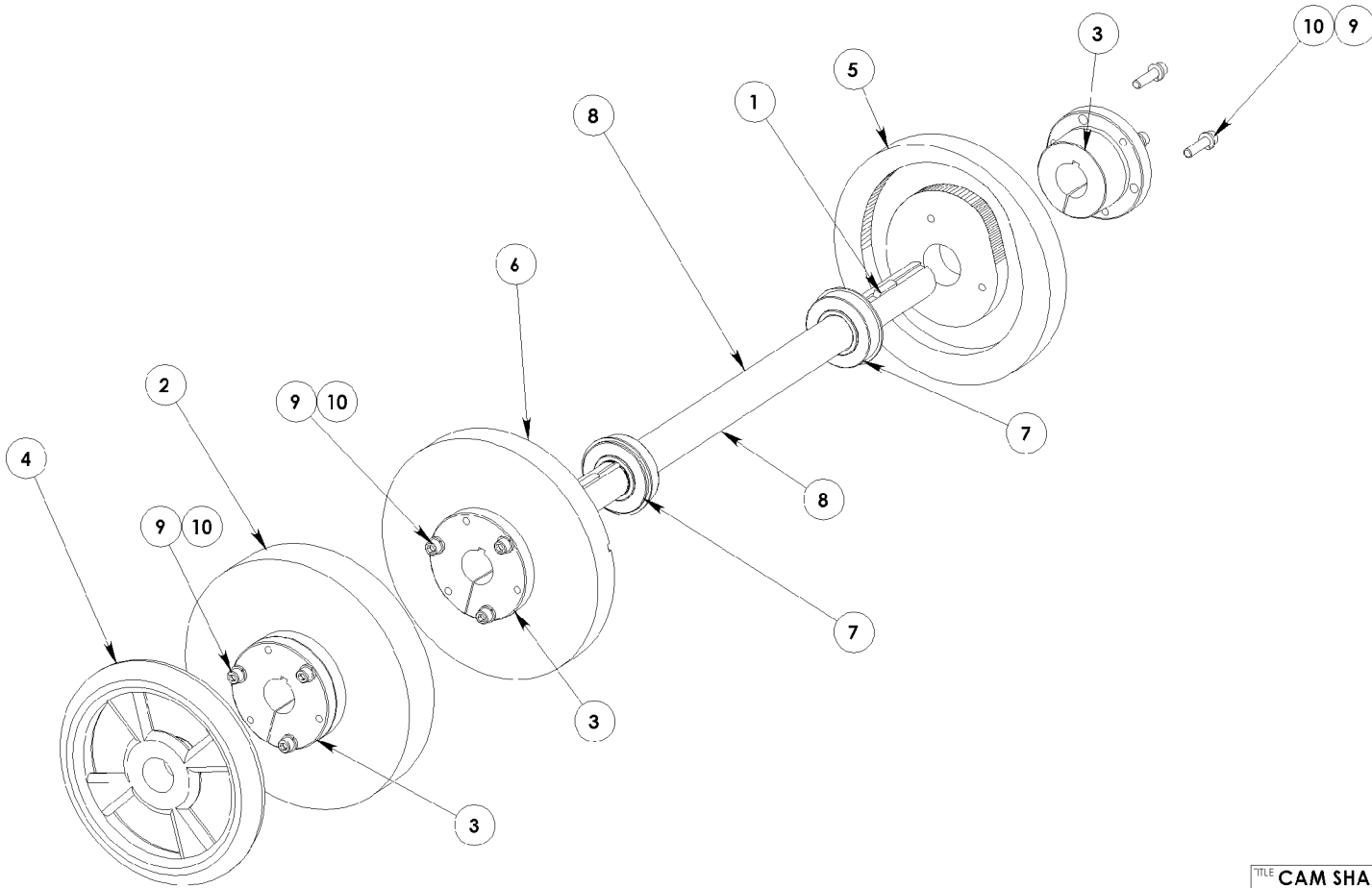


One BEARING per SIDE PLATE  
flange facing out

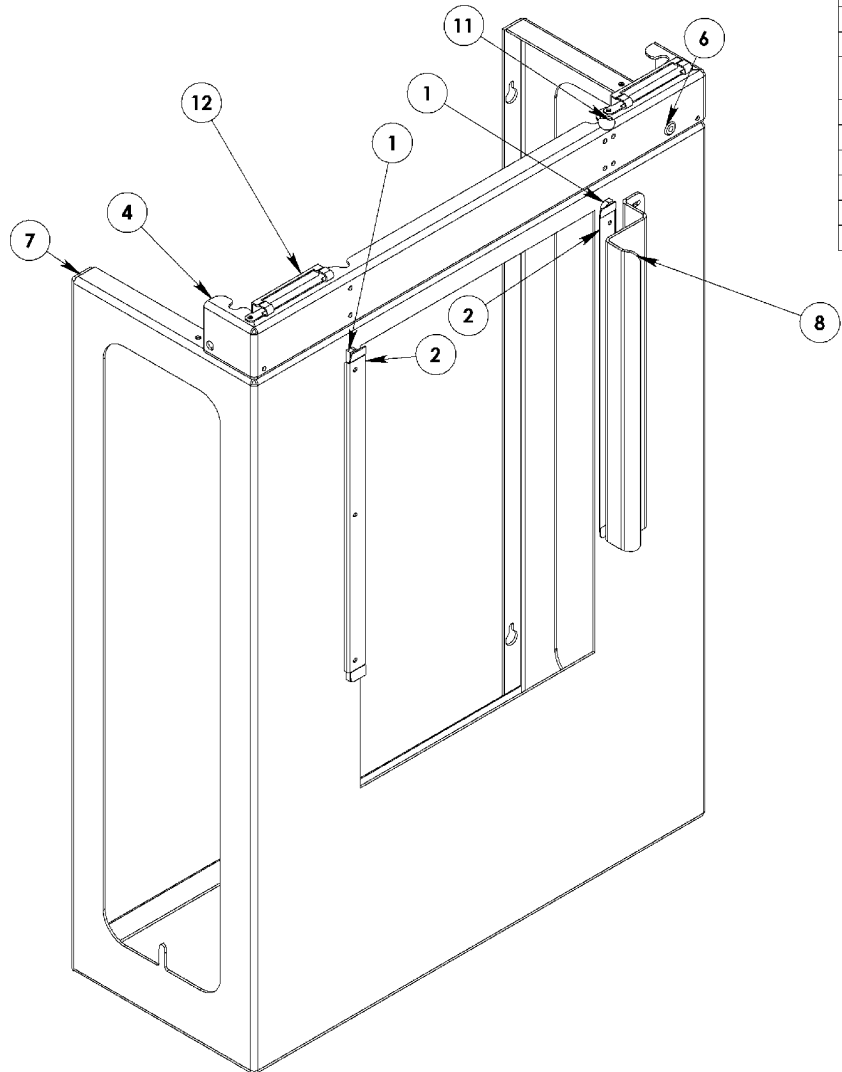
Used to attach to SIDE PLATES

Use bolts that came with BUSHING

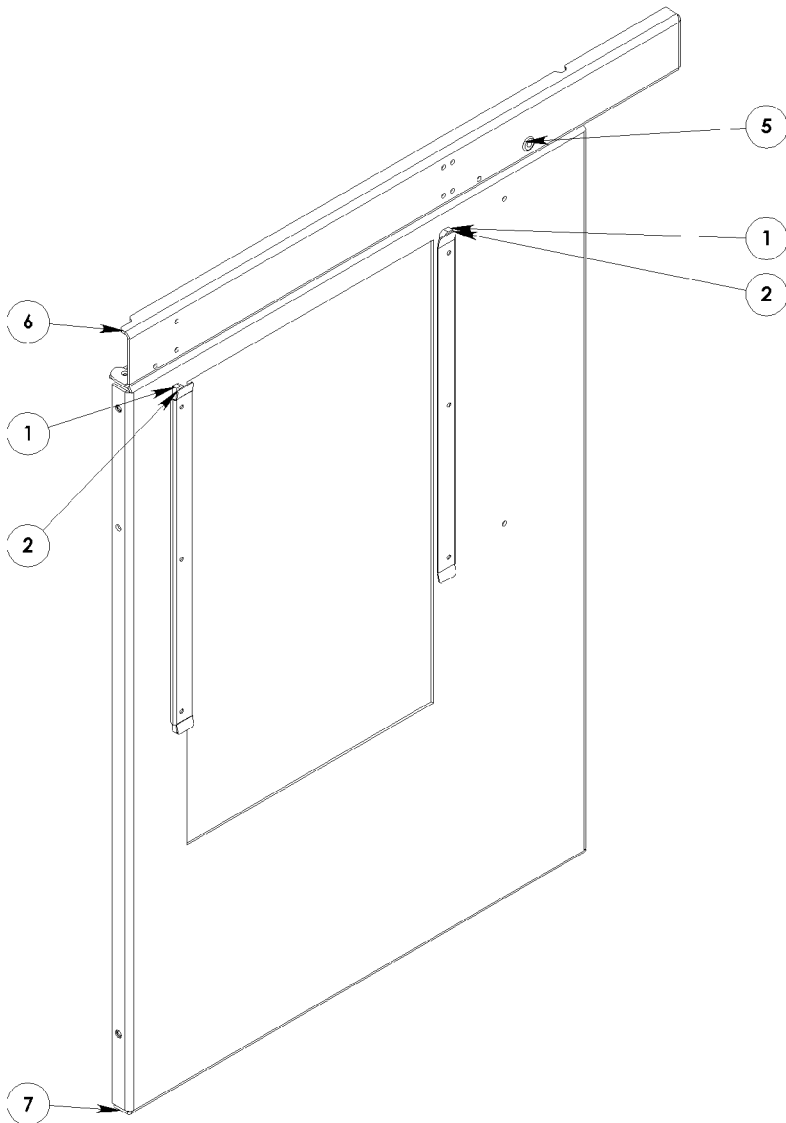
| ITEM NO. | QTY. | PART NO. | DESCRIPTION                                      |
|----------|------|----------|--|
| 1        | 3    | 7708000  | SQUARE KEY                                       |
| 2        | 1    | 1722977  | 90 TOOTH HPT SPROCKET                            |
| 3        | 3    | 7707693  | Quick-Disconnect Bushing Style Sk 1.25 Bore      |
| 4        | 1    | 7707991  | Handwheel  |
| 5        | 1    | 7707975  | DIESET DRIVE CAM RIGHT                           |
| 6        | 1    | 7707974  | DIESET DRIVE CAM LEFT                            |
| 7        | 2    | 7707540  | 1.25" RADIAL BALL BEARING                        |
| 8        | 1    | 7707958  | CAM SHAFT  |
| 9        | 9    | 7707617  | SHCS SS 5/16-18 X 1-1/4                          |
| 10       | 9    | 1926065  | SPRING LOCK WASHER REGULAR, 18-8 STAINLESS 5/16" |



|        |               |     |   |    |   |
|--------|---------------|-----|---|----|---|
| TITLE  | CAM SHAFT SUB | SHT | 1 | OF | 1 |
| ITEM # | PNS14000      | REV | 0 |    |   |

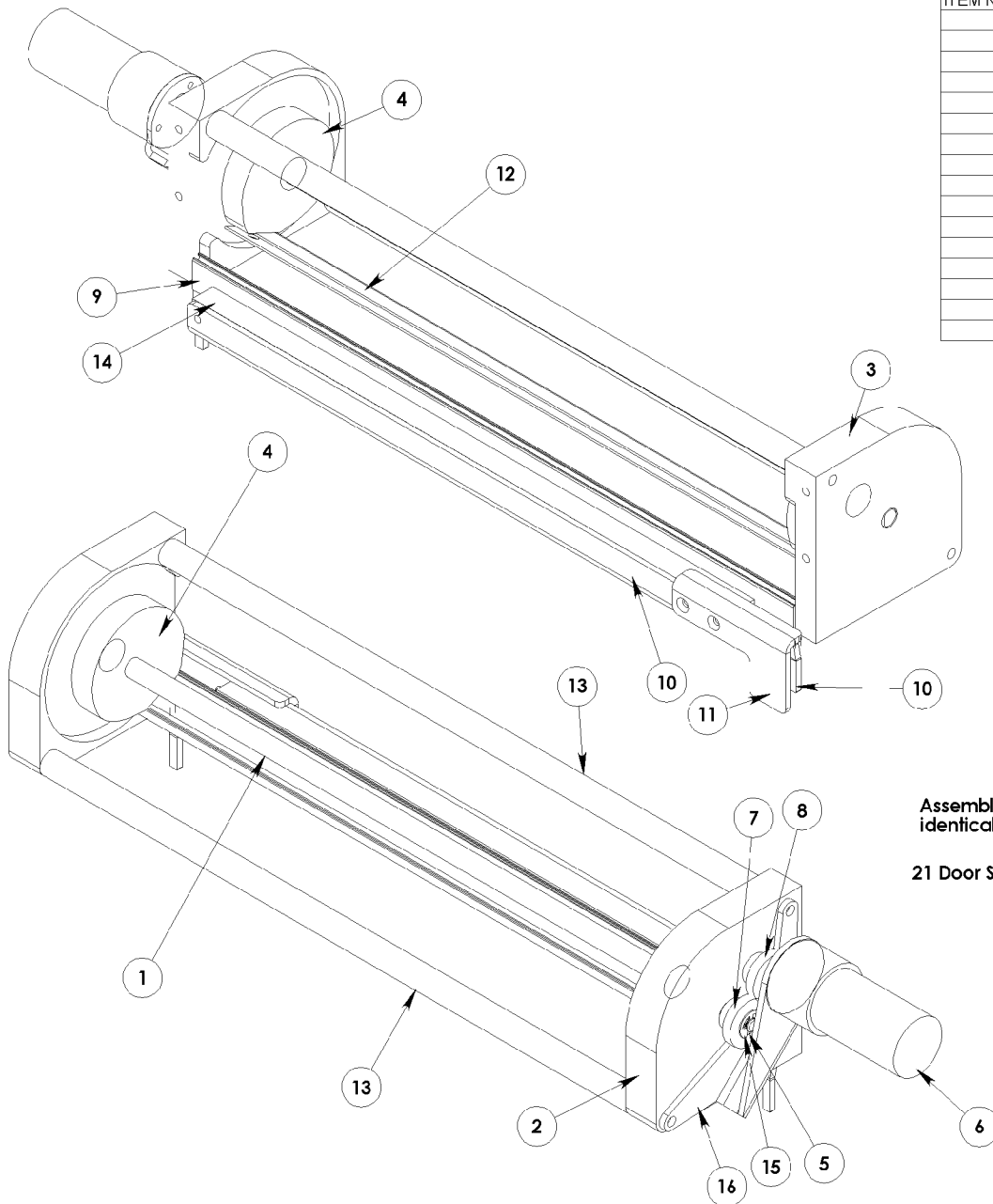


| ITEM NO. | PART NUMBER | DESCRIPTION  | RDS01F00/QTY. | RDS01S00/QTY. |
|----------|-------------|--|---------------|---------------|
| 1        | 7708094     | Roll Side Guide  | 2             | 2             |
| 2        | 7708095     | Roll Front Guide   | 2             | 2             |
| 3        | 7708101     | Switch Actuator  | 1             | 1             |
| 4        | 7708106     | Feeder Roll Door Frame                                       | 1             | -             |
| 5        | 7708104     | Weight   | 1             | 1             |
| 6        | 7707670     | Military Spec Rubber Grommet MS 35489 No. 35 An931, No. A4-7 | 1             | 1             |
| 7        | 7707749     | Left Extension Assembly                                      | 1             | -             |
| 8        | 7708107     | Manual Stacking Guide  | 1             | -             |
| 9        | 7708096     | Roll Door Base   | -             | 1             |
| 10       | 7707750     | Stacker Port   | -             | 1             |
| 11       | 7708110     | Nut Plate  | 2             | 2             |
| 12       | 7707505     | Concealed QD Hinge   | 2             | 2             |



| ITEM NO. | PART NUMBER | DESCRIPTION  | RDS01S00/QTY. |
|----------|-------------|--|---------------|
| 1        | 7708094     | Roll Side Guide  | 2             |
| 2        | 7708095     | Roll Front Guide   | 2             |
| 3        | 7708101     | Switch Actuator  | 1             |
| 4        | 7708104     | Weight   | 1             |
| 5        | 7707670     | Military Spec Rubber Grommet MS 35489 No. 35 An931, No. A4-7 | 1             |
| 6        | 7708096     | Roll Door Base   | 1             |
| 7        | 7707750     | Stacker Port   | 1             |

|       |                    |     |   |    |   |
|-------|--------------------|-----|---|----|---|
| TITLE | STACKER DOOR FRAME | SHT | 1 | OF | 1 |
| REV # | RDS01S00           | REV | 0 |    |   |

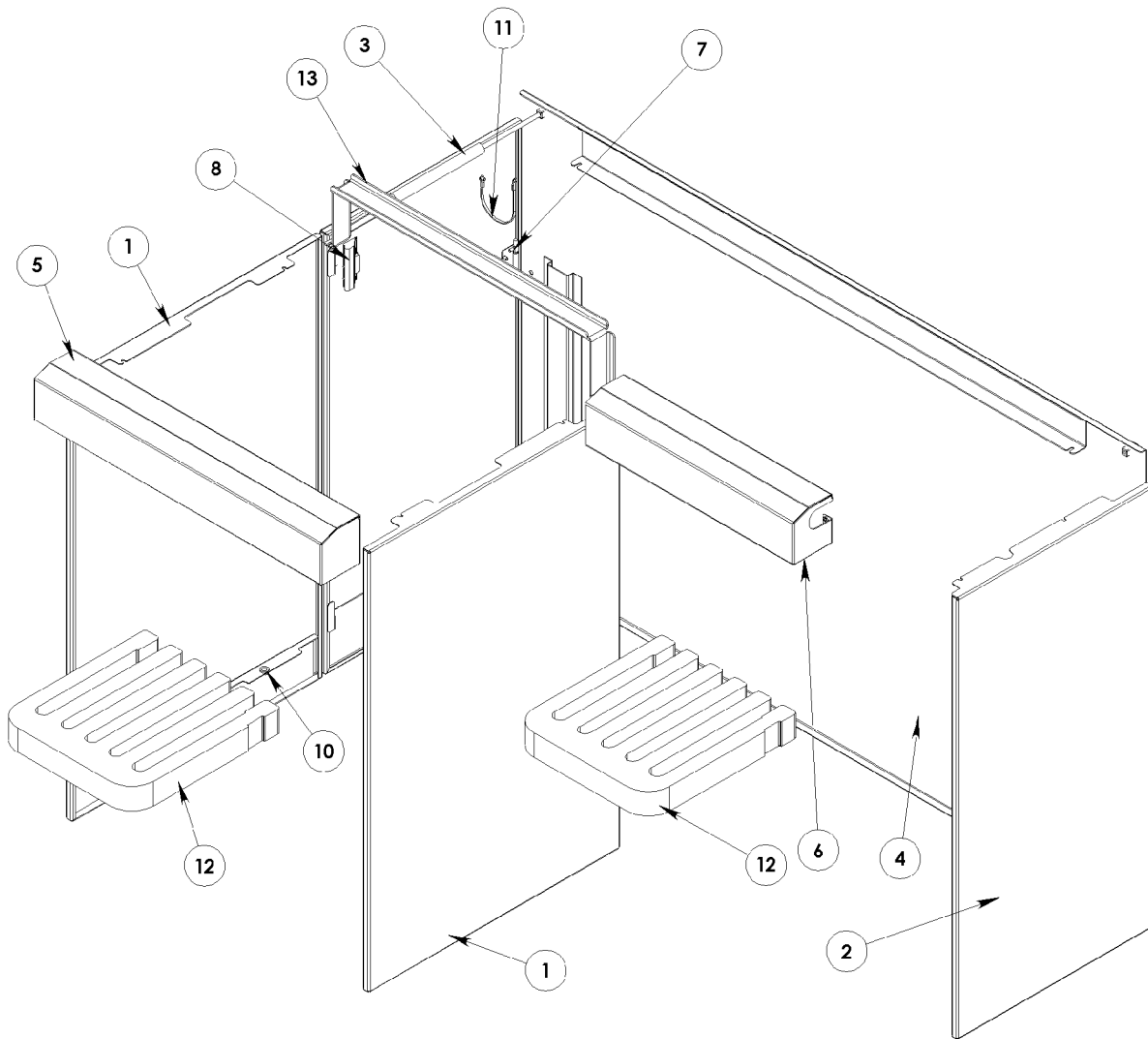


| ITEM NO. | QTY. | PART NO. | DESCRIPTION   |
|----------|------|----------|---|
| 1        | 1    | 7708091  | Roll Door Shaft   |
| 2        | 1    | 7708092  | Right Roll Door Bearing   |
| 3        | 1    | 7708093  | Left Door Bearing   |
| 4        | 2    | 7708097  | Snail Cam   |
| 5        | 1    | 7707696  | Steel Needle-Roller Clutch Bearing Acetal Cage, 1/4" Shaft Dia, 7/16" OD, 1/2" WD |
| 6        | 1    | 7707527  | Compact DC Gearmotor 41 Max RPM, 19.1 VDC   |
| 7        | 1    | 7708098  | Roll Clutch Gear  |
| 8        | 1    | 7707558  | Motor Gear  |
| 9        | 1    | 7708099  | Bottom Door Slat  |
| 10       | 1    | 7708100  | Roll Door Sweep   |
| 11       | 1    | 7708101  | Switch Actuator   |
| 12       | 1    | 7708102  | Top Door Slat   |
| 13       | 2    | 7708103  | Tie Rod   |
| 14       | 1    | 7708104  | Weight  |
| 15       | 1    | 9215068  | E-STYLE RETAINING RING SPRING STEEL, ZINC PLATE                                   |
| 16       | 1    | 7708105  | Roll Motor Bracket  |

Assembly as shown is identical for Feeder and Stacker doors

21 Door Slats RD018000 not shown 7707559

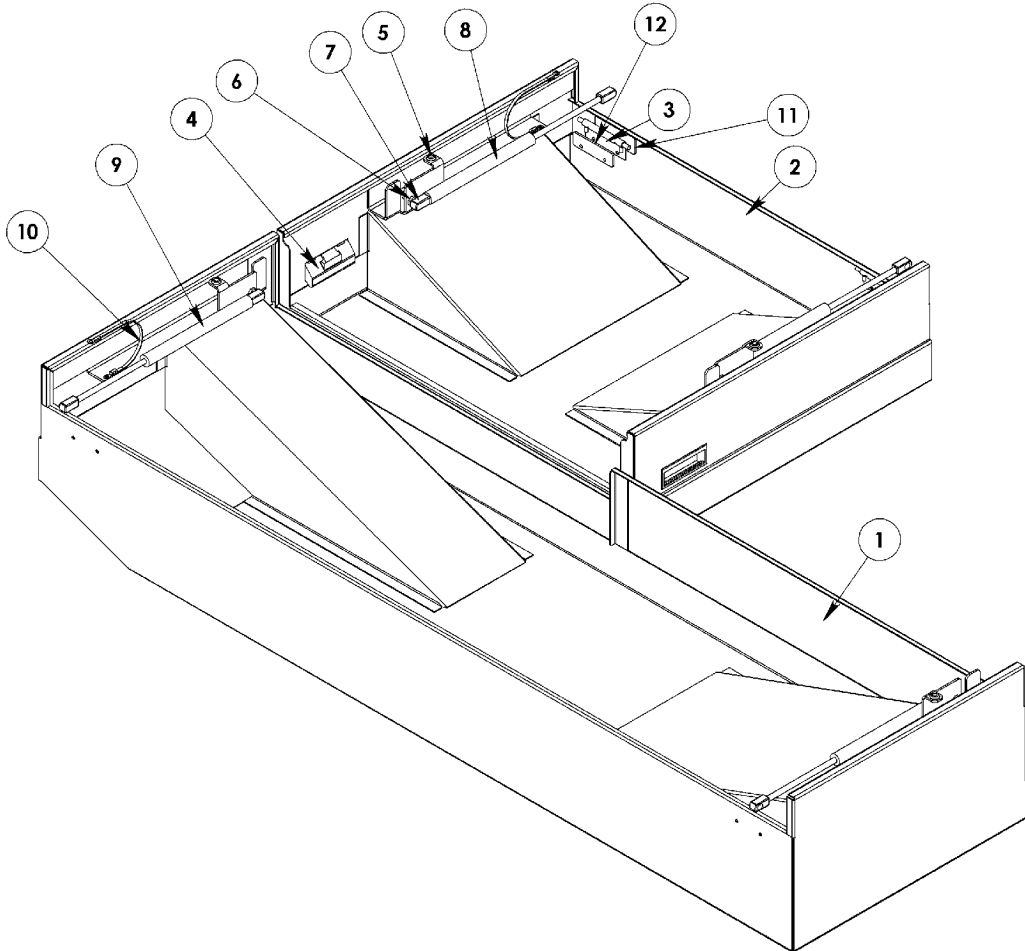
|        |                        |     |   |    |   |
|--------|------------------------|-----|---|----|---|
| TITLE  | Roll Door Works S-Assy | SHT | 1 | OF | 1 |
| ITEM # | RDS02000               | REV | 0 |    |   |



| ITEM NO. | QTY. | PART NO.   | DESCRIPTION                               |
|----------|------|------------|---|
| 1        | 2    | 7708111    | Side Panel                                |
| 2        | 1    | 7707584    | E-Box Cover                               |
| 3        | 1    | 7708112    | Door                                      |
| 4        | 1    | 7707585    | Back Panel                                |
| 5        | 1    | 7708113    | Feeder Roll Door Cover                    |
| 6        | 1    | 7708114    | Stacker Roll Cover                        |
| 7        | 2    | 7707504    | Concealed QD Hinge                        |
| 8        | 1    | 7707514    | Pocket, Snap-in, Flush Pull               |
| 9        | 1    | 7707518    | Gas Spring with Trheaded Ends             |
| 10       | 6    | 7707672    | Std SBR Rubber Grommet                    |
| 11       | 1    | 0147080006 | Ground Strap                              |
| 12       | 2    | 7707729    | Finger Wrap                               |
| 13       | 1    | 7707738    | Gutter                                    |
| 14       | 4    | 7707458    | Nylon 10mm Ball Socket End For Gas Spring |

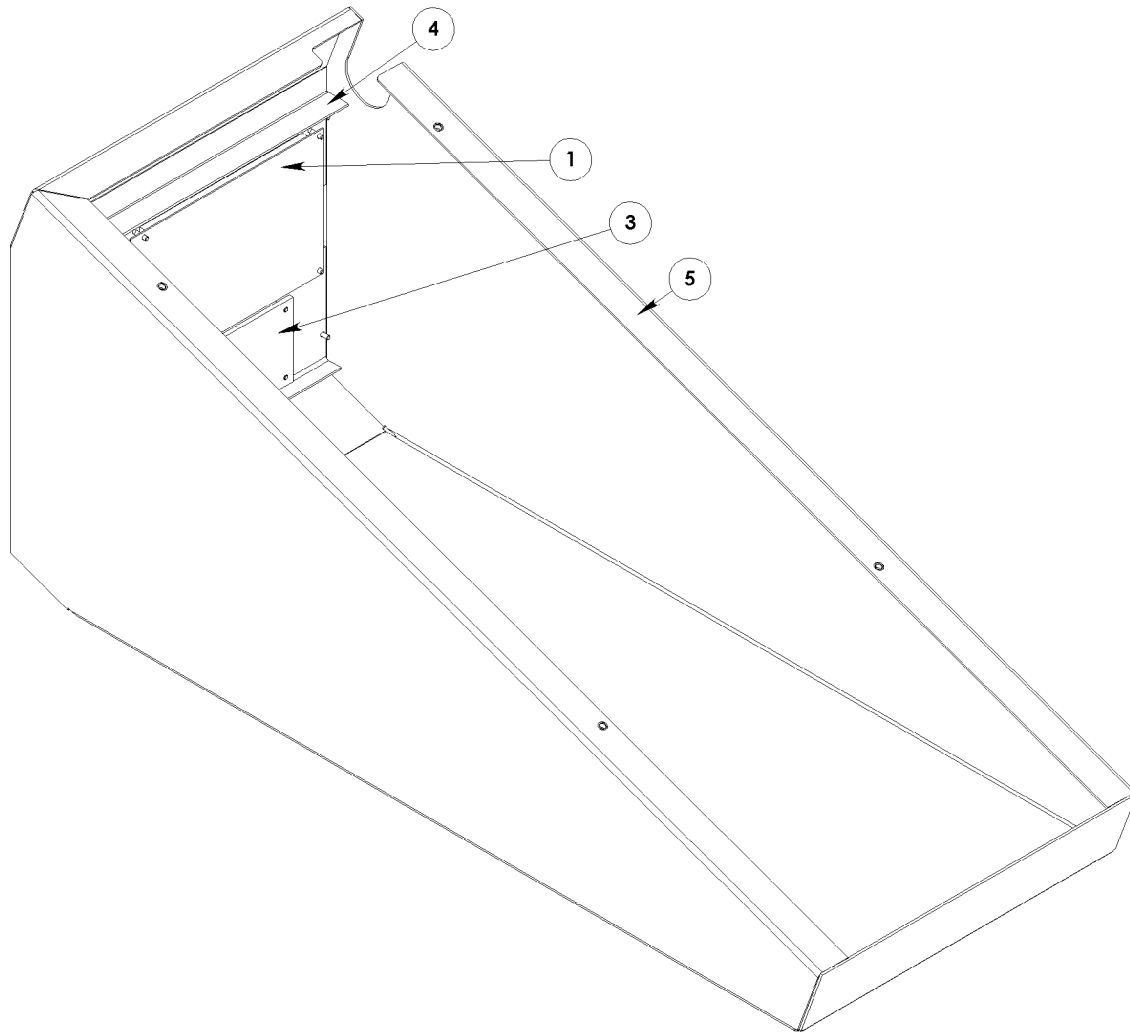
|        |              |     |   |    |   |
|--------|--------------|-----|---|----|---|
| TITLE  | Lower Covers | SHT | 1 | OF | 1 |
| ITEM # | SKS01000     | REV | 0 |    |   |

| ITEM NO. | QTY. | PART NO.   | DESCRIPTION                               |
|----------|------|------------|---|
| 1        | 1    | 7708117    | Long Lid Main                             |
| 2        | 1    | 7708116    | Front Lid                                 |
| 3        | 4    | 7707504    | Concealed QD Hinge                        |
| 4        | 4    | 7707514    | Pocket, Snap-in, Flush Pull               |
| 5        | 4    | 7707515    | Solid Stem Rubber Plug Bumper Flat        |
| 6        | 4    | 9950109    | Ball Stud For Gas Spring 10mm X 5/16-18   |
| 7        | 8    | 7707458    | Nylon 10mm Ball Socket End For Gas Spring |
| 8        | 2    | 7707517    | Gas Spring 40lbs                          |
| 9        | 2    | 7707518    | Gas Spring with Trheaded Ends             |
| 10       | 2    | 0147080006 | Ground Strap                              |
| 11       | 4    | 7708108    | Hinge Spacer Plate                        |
| 12       | 4    | 7708110    | Hinge Nut Plate                           |



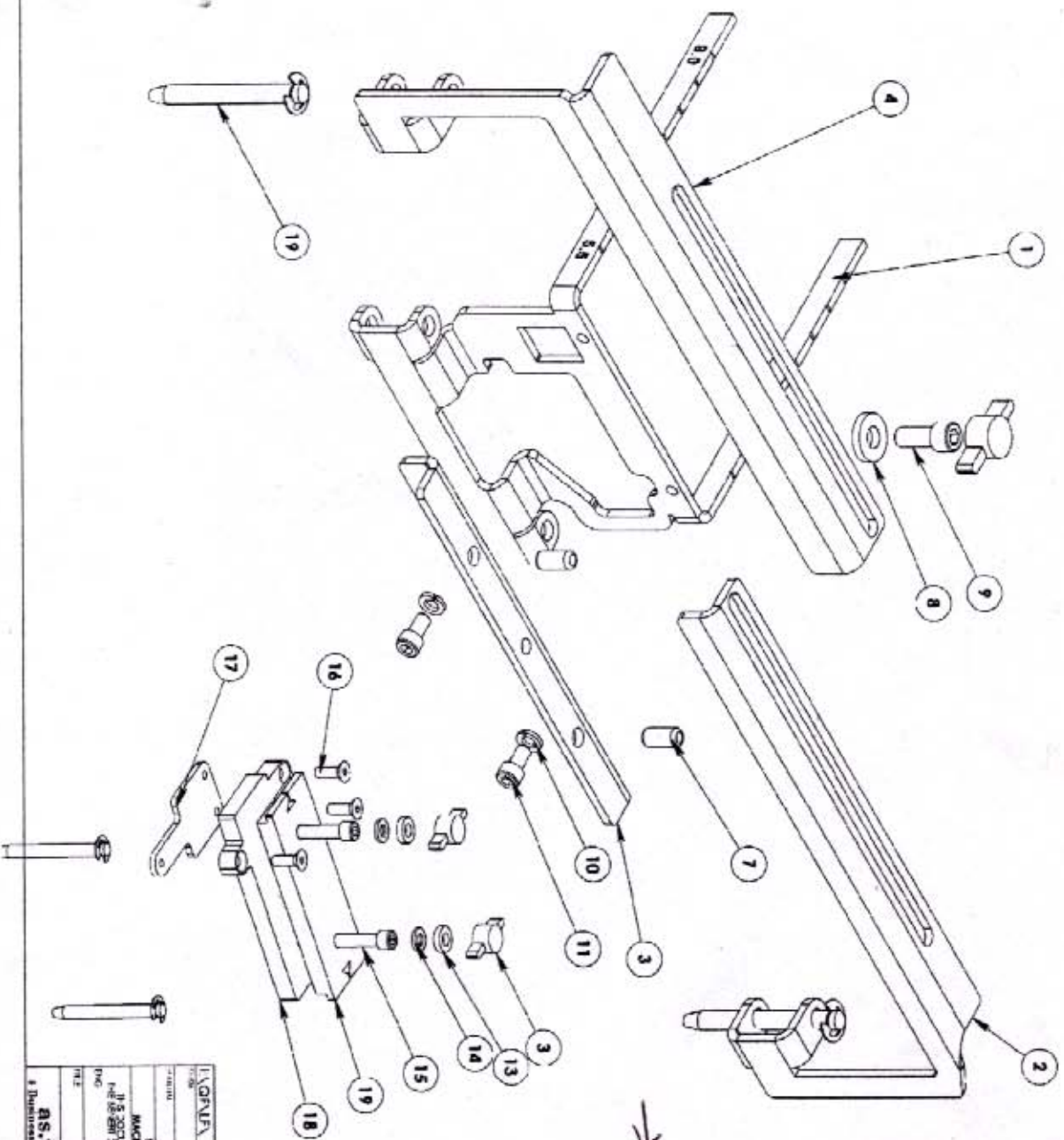
|        |          |     |   |    |   |
|--------|----------|-----|---|----|---|
| TITLE  | Lids     | SHT | 1 | OF | 1 |
| ITEM # | SKS02000 | REV | 0 |    |   |

| ITEM NO. | QTY. | PART NO. | DESCRIPTION         |
|----------|------|----------|---------------------|
| 1        | 1    | 7707560  | Membrane Switch     |
| 2        | 1    | 7707534  | Graphic LCM Display |
| 3        | 1    | 7708108  | Display PCB         |
| 4        | 1    | 7708118  | UI Back Plane       |
| 5        | 1    | 7708115  | UI Box              |



|        |                |     |   |    |   |
|--------|----------------|-----|---|----|---|
| TITLE  | USER INTERFACE | SHT | 1 | OF | 1 |
| ITEM # | SKS03000       | REV | 0 |    |   |





| ITEM NO. | PART NUMBER | QTY. |
|----------|-------------|------|
| 1        | LF327040    | 1    |
| 2        | LF331000    | 1    |
| 3        | LF332000    | 1    |
| 4        | LF333000    | 1    |
| 5        | 3MPTKB1     | 3    |
| 6        | 37107290    | 4    |
| 7        | 3A1DCS950   | 2    |
| 8        | 30FH425     | 1    |
| 9        | 32SHS63     | 1    |
| 10       | 30SLW010    | 2    |
| 11       | 32SHSF38    | 2    |
| 12       | 3C1RSN8C2   | 2    |
| 13       | 31N1YR025   | 2    |
| 14       | 32SHS1A0    | 2    |
| 15       | 32PHSF63    | 3    |
| 16       | LF330020    | 1    |
| 17       | LF328020    | 1    |
| 18       | LF329010    | 1    |
| 19       | LF326020    | 4    |

Include installation instruction sheet.

**as.ter ink\*** [www.as.terink.com](http://www.as.terink.com)  
 1 Dunbar Park Rd Old Saybrook CT 06458 860 386 8111

**Tab Anti-bdckku**

18

1 of 1

1 of 1

1 of 1

1 of 1