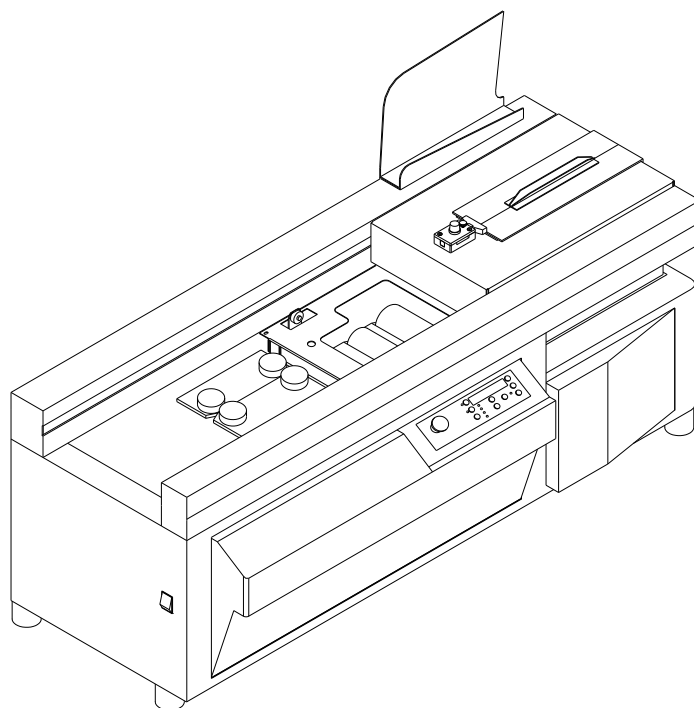


Perfect Binder DB-280 110V

Parts Catalog

(V3.69C)

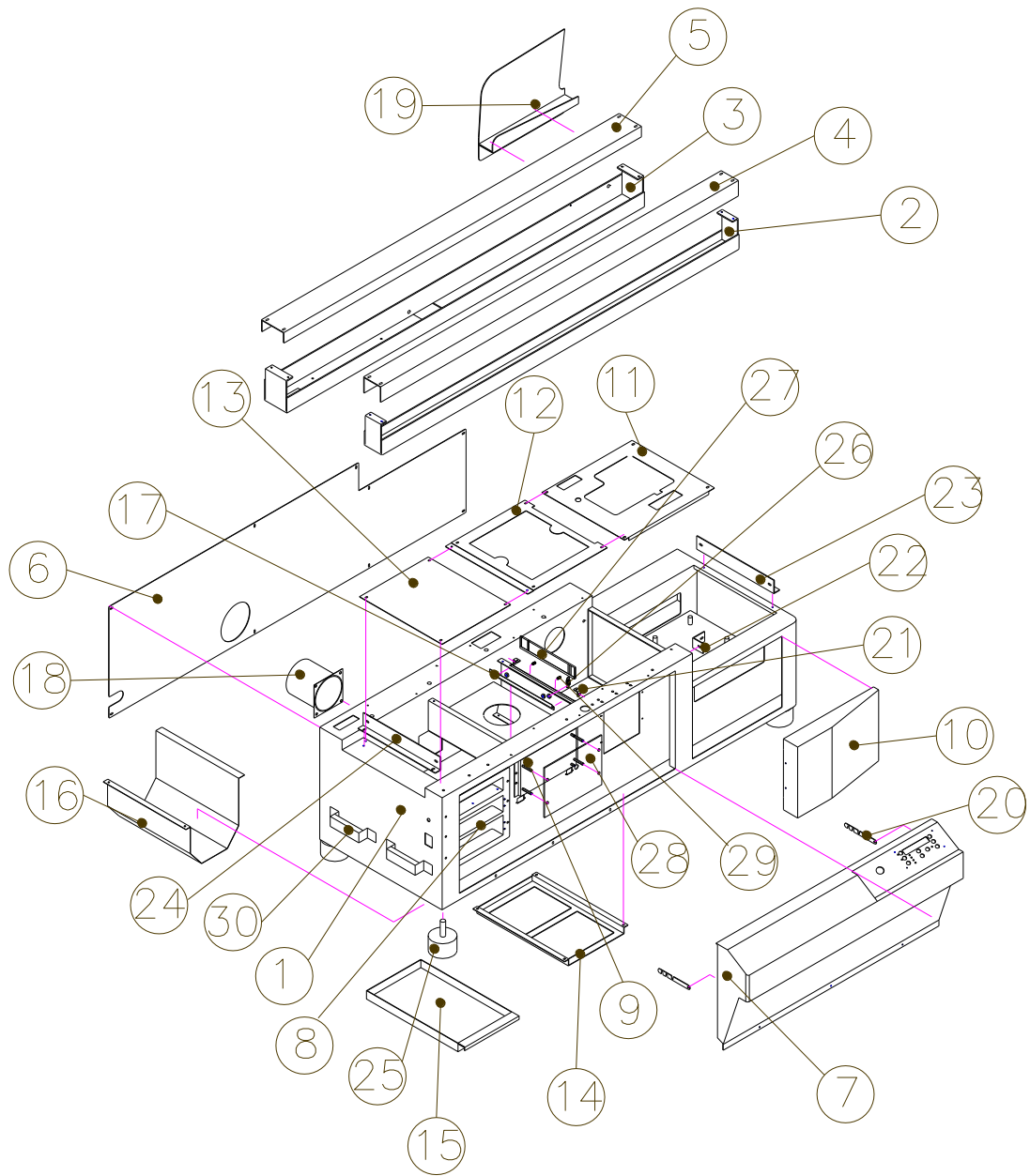


Duplo Taiwan Corporation

DB-280 Part Catalog

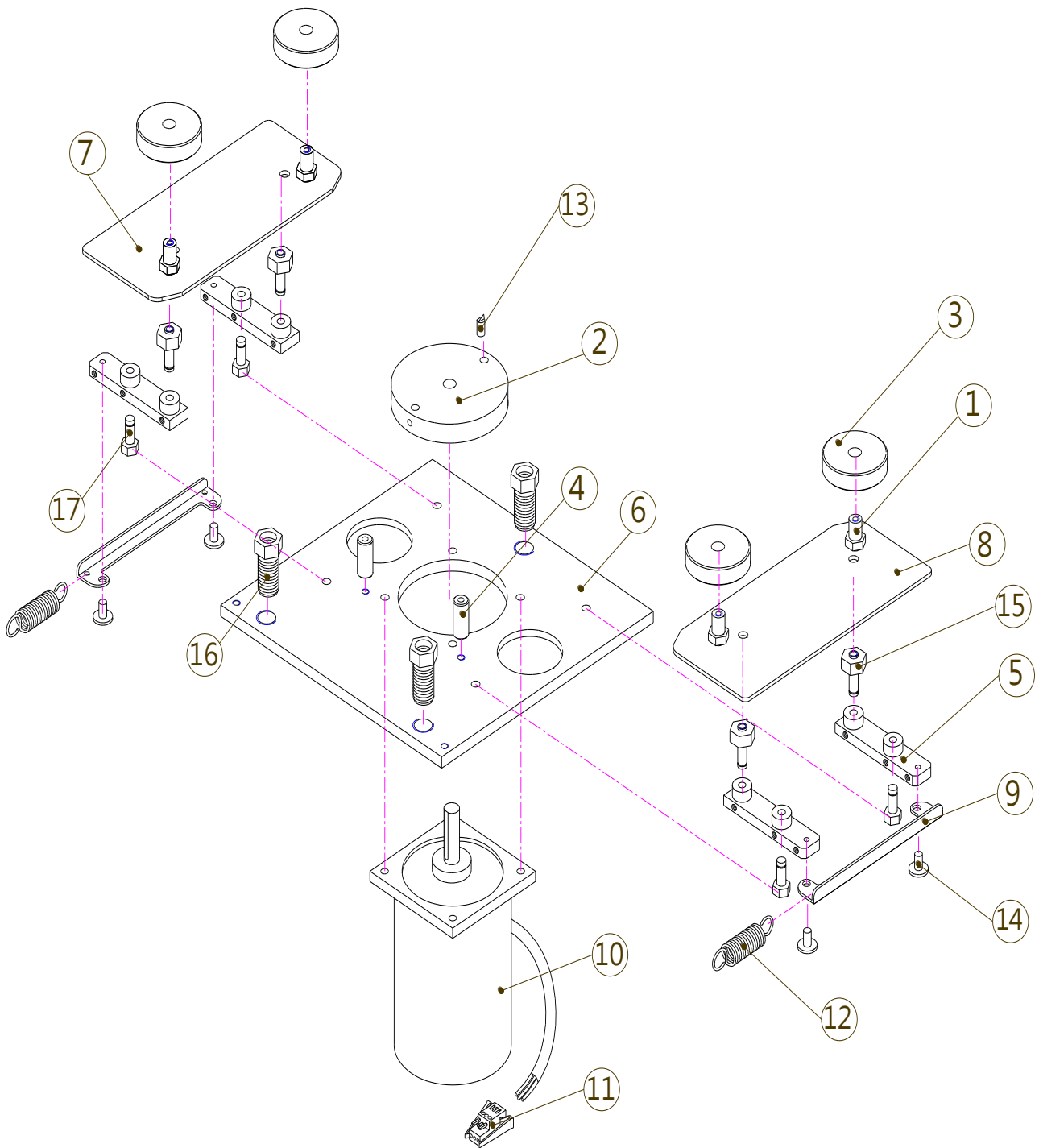
1. Frame/Exterior Section.....	3
2. Notching Station Section.....	5
3. Glue Tank Section.....	7
4. Nipping Station Section.....	10
5. Clamp Station Section.....	13
6. Driving Section.....	16
7. Electricity Section.....	18
8. Sticker.....	21

1. Frame/Exterior Section



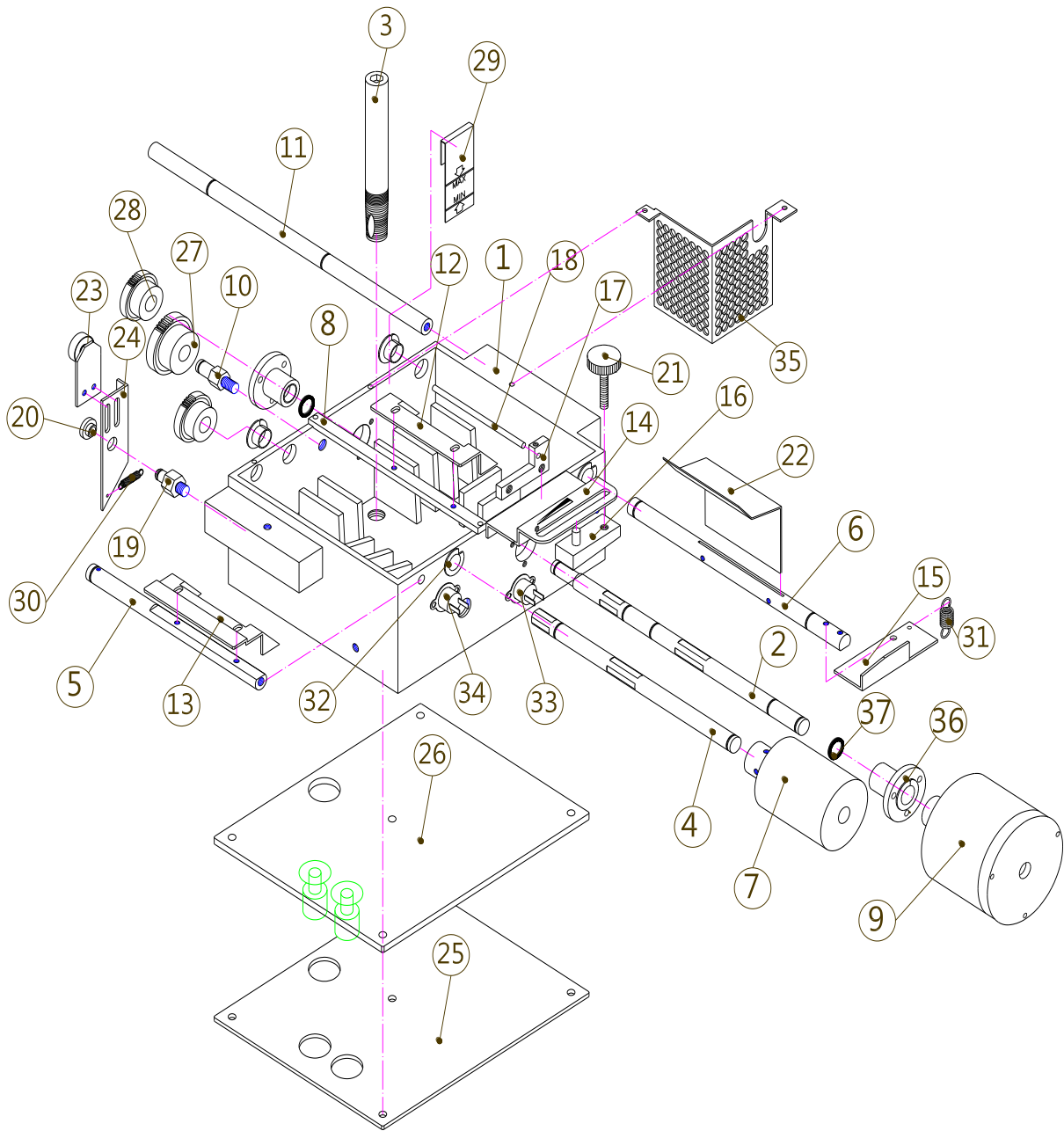
INDEX	PARTS NO	DESCRIPTION	QTY	AREA	REMARK
1	EC6001	Main Frame	1		
2	EC6019	Front Guide	1		
3	EC6020	Rear Guide	1		
4	EC6023	Front Guide Cover	1		
5	EC6022	Rear Guide Cover	1		
6	EC6007	Rear Cover	1		
7	EC6025	Control Panel Cover(For DB-280)	1		
8	EC6004	PCB Box Bracket	1		
9	EC6005	Fuse IC board Bracket	1		
10	EC6021	Front Cover	1		
11	EC6201-1	Glue Tank Top Cover	1		Revision S/N Since: 10280011 (Original No.: EC6201)
12	EC6401	Notching Station Top Cover	1		
13	EC6414	Capacitance Base Cover	1		
14	EC6001-14	Glue Draining Tray Seat	1		
15	EC6209	Glue Draining Tray	1		
16	EC6001-17	Vacuum Cleaner Cover	1		
17	EC6001-18	Vacuum Cleaner Accessory	1		
18	EC6413	Vacuum Pipe Connector	1		
19	EC6017	Cover Sheet Holder	1		
20	EC6018	Control Panel Hanger	2		
21	EC6412	L Cover Bracket	2		
22	E6405	Shipping Bracket (front of Nipping Station)	1		
23	E6406	Shipping Bracket (right of Nipping Station)	1		
24	E6408	Shipping Bracket (left of clamp station)	1		
25	E8401	Machine Leg	4		
26	E8209	Spring SP203	1		
27	EC8415	Brush	1		
28	E8406	Fuse PCB Cover	1		
29	EC8416	M5 Position Bead	2		
30	EC6417	Transpoting handle	4		Revision S/N Since: 11280061 (Additional Parts)

2. Notching Station Section



INDEX	PARTS NO.	DESCRIPTION	QTY	AREA	REMARK
1	E3008	Notching Roller Shaft	4		
2	U3001	Notching Wheel	1		
3	E30041	Notching Roller	4		
4	E3005	Notching Roller Spacer	2		
5	E3009	Notching Position Arm with Copper loop X2	4	Set	
6	E3007-1	Notching Station Spacer	1		
7	EC6304A	Notching Cover	1		
8	EC6304B	Notching Cover	1		
9	E6303	Nipping Position Connector	2		
10	EC7103-A	Nipping Motor (M4) 5IK90A-AF (110V)	1		
11	E7401-W	Notching Motor Power Female Connector 3P	1		
12	E8203	Position Connector Spring (SP301)	2		
13	U7615	Notching Blade	1		
14	U3004	Connecting Rivet	4		
15	U3013	Position Arm Screw	4		
16	U3009B	Notching Base Adjustment Screw	3		
17	U3012	Arm Connecting Rivet	4		

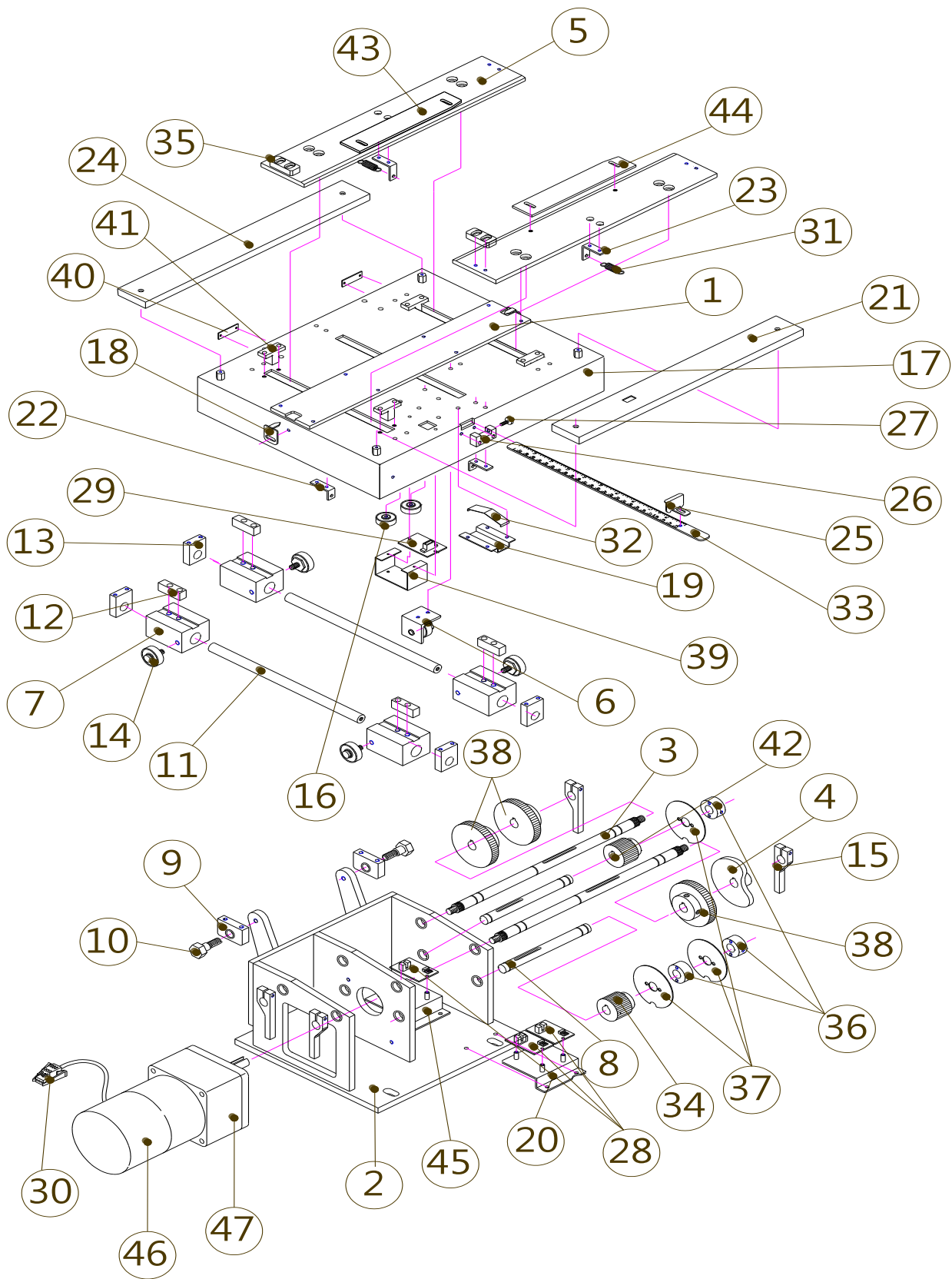
3. Glue Tank Section



INDEX	PARTS NO.	DESCRIPTION	QTY	AREA	REMARK
1	EC2001-2	Glue Tank Main Body	1		Revision S/N Since: 11280036 (Original No. EC2011-1)
2	N2009-1	Main Glue Wheel Shaft	1		Revision S/N Since: 11280036 (Original No. N2009)
3	N2007-1	Glue Draining Plug	1		Revision S/N Since: 10280089 (Original No. N2007)
4	A2004	EX Glue Wheel Shaft	1		
5	S2005	Glue Amount Scraper Shaft	1		
6	S2006	Glue Meter Shaft	1		
7	S2009	EX Glue Wheel	1		Revision S/N Since: 10280011 (Original No. A2009)
8	S2011	Glue Amount Scraper Plate Base	1		
9	S2014	Main Glue Wheel	1		Revision S/N Since: 10280011 (Original No. U2010)
10	A2012	Glue Wheel Gear Shaft	1		
11	EC2006	Glue Tank Main Body Shaft Unit	1		
12	S6203	Main Glue Wheel Scraper Plate	1		Revision S/N Since: 10280011 (Original No. A6202)
13	S6204	EX Glue Wheel Scraper Plate	1		Revision S/N Since: 10280001 (Original No. A6203)
14	S6207	Glue Adjustment seat	1		
15	S6202	Glue Meter Connector Guide	1		
16	EC2018-1	Glue Adjustment seat and Guide	1	kit	Revision S/N Since: 10280011 (Original No. EC2018)
17	U2012	Glue Accumulator Seat	1		
18	S2013	Glue Accumulator	1		
19	S2017	Glue Tank Height Block Rivet	1		
20	S2016	Glue Tank Height Block Loop	1		
21	E8404	Glue Adjustment Knob M6 + Screw	1	kit	
22	S6205	Glue Meter Plate	1		Revision S/N Since: 10280011 (Original No. U6211)
23	S6209	Glue Tank Pressure plate (Up)with Bearing 608ZZ	1	kit	Revision S/N Since: 10280011 (Original No. U6209)
24	S6210	Glue Tank Pressure plate (Down)	1		Revision S/N Since: 10280011 (Original No. U6210)
25	S6208	Glue Heater Cover	1		Revision S/N Since: 10280011 (Original No. A6204)
26	A7211-A1	Glue Heater *1000W(110V)	1		

27	A9018	Gear M1*40T + Bearing 6000ZZ	1	kit	
28	A9008	Gear M1*32T*D12	2		
29	E8305	Glue Level Indicator	1		
30	E8208	Glue Tank Spring SP204	1		
31	E8204	Glue Meter Spring SP202	1		
32	E8104	Bearing For Glue Tank Shaft MB1208-20FDU	6		
33	E7307	Glue Tank Half Temp. Sensor 100°C	1		
34	EC7317	Glue Tank Temp. Safely Sensor 210°C	1		
35	S6212	Glue Separating Net	1		Revision S/N Since: 10280104 (Additional Parts)
36	S2020	Main Glue Wheel Shaft block loop	2	kit	Revision S/N Since: 11280036 (Additional Parts)
37	EC8407	Oil Seal	2		Revision S/N Since: 11280036 (Additional Parts)

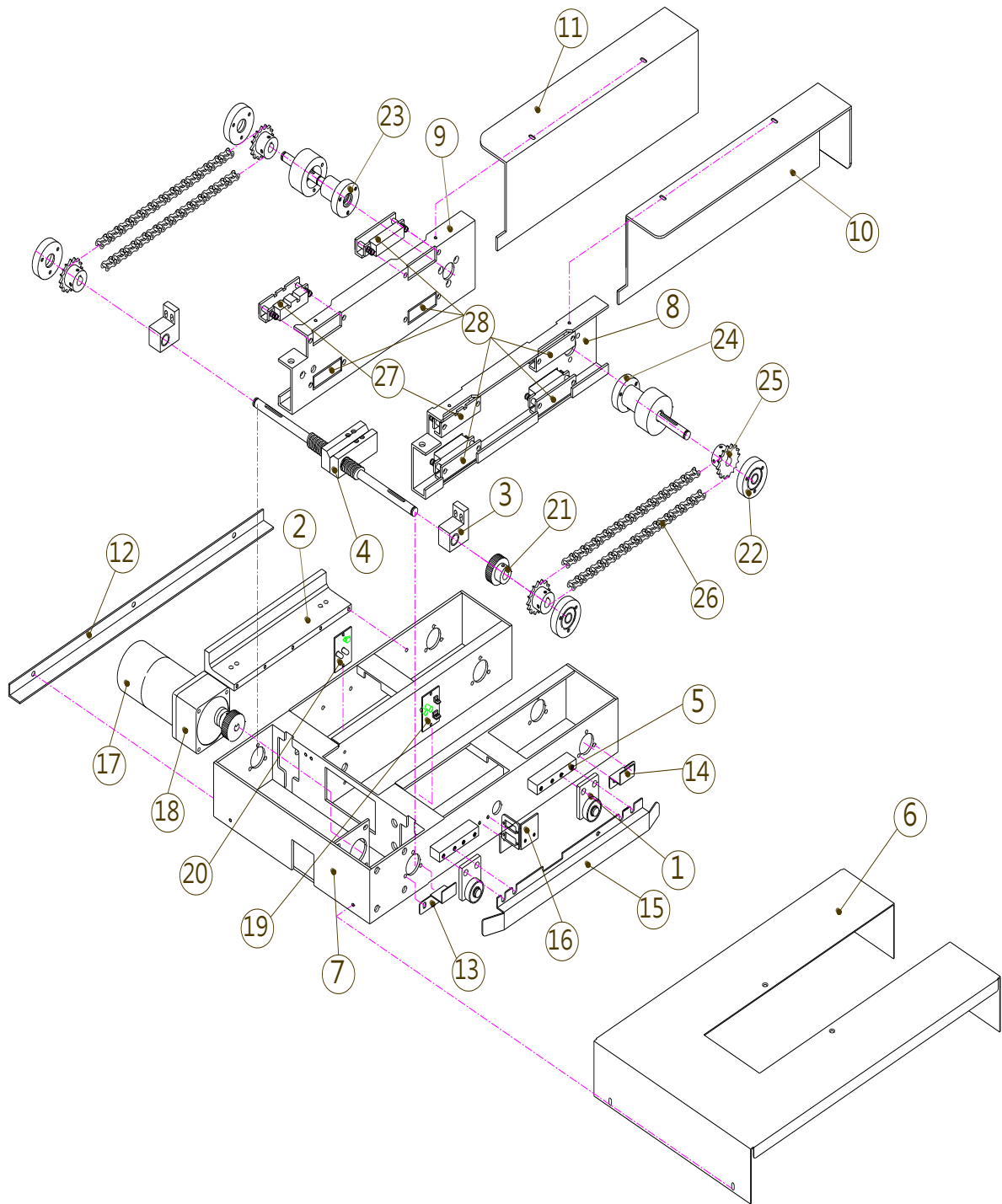
4. Nipping Station Section



INDEX	PARTS NO.	DESCRIPTION	QTY	AREA	REMARK
1	E1001	Nipping Station Base	1		
2	E1030	Nipping Station Body Part + Bearing x 10	1	kit	Revision S/N Since: 10280104 (Invariable No.)
3	E1029	Nipping Station Swing Shaft	2		
4	E1004	Lifting Cam for Nipping Station	1		
5	EC1023	Nipping Plate	2		
6	E6114	Lifting Bracket + Bearing Shaft (6000ZZ)	1	kit	
7	E1024-A	Nipping Slide Block	4	kit	
8	E1028	Nipping Station Timing Shaft	2		
9	E1011	Hinge Seat + bearing 10-14*8L	2	kit	
10	E1012	Hinge Shaft for Nipping Station	2		
11	E1013	Nipping Slide Block Guide	2		
12	E1014	Nipping Inner Slide Block	4		
13	E1015	Fixed End for Nipping Slide Block	4		
14	E1026	Bearing Shaft for Nipping Slide Block	4	kit	
15	E1017	Nipping Station Swing Arm	4		
16	E1018	Bearing Shaft for Nipping Stop + bearing 608ZZ	2	kit	
17	EC6101T	Nipping Table	1		
18	EC6102	Cover Center Mark	2		
19	E6103	Cover Ruler Seat	1		
20	E6113	Nipping Sensor seat (LS3/LS4)	1		
21	EC6105	Nipping Table Front Cover	1		
22	E6106	Nipping Spring Bracket 1(short)	2		
23	E6107	Nipping Spring Bracket 2 (Long)	2		
24	EC6108T	Nipping Table Rear Cover	1		
25	E6110	Cover Ruler Adjustment Seat	1		
26	EC1034	Cover Ruler Holder	1		Revision S/N Since: 10280001 (Additional Parts)
27	E8409	Ruler Adjustment Knob-M4	1	kit	
28	E7205	LS3/LS4/LS5 Photo Switch	3		Revision S/N Since: 10280104 (Invariable No.)
29	E7207	SN2 Cover Photo Switch	1		
30	E7402-W	Nipping Motor Power Connector-Female(4P)	1		
31	E8201	Nipping Plate Spring SP101	2		
32	E8202	Cover Ruler Seat Spring SP102	1		
33	E8402	Cover Ruler	1		

34	E9002	Nipping Gear 1-M1*30T*D12	1		
35	E1027	Cover Position Adjustment	2		
36	U4026	Nipping Position Ring	3		Revision S/N Since: 10280104 (Invariable No.)
37	E6415	Nipping Position Disc	3		Revision S/N Since: 10280104 (Invariable No.)
38	U9010	Nipping Gear 2-M1*60T*D12	3		
39	E6111	SN2 Sensor Cover	1		
40	EC6112	Nipping Safety Limit Plate	2		
41	EC1033	Tape Mode Block	4		
42	E9004	Nipping Gear 2 - M1*30T*D12	1		
43	EC6114A	Tape Mode Seat A	1		
44	EC6114B	Tape Mode Seat B	1		
45	EC6115	LS5 Photo Switch			Revision S/N Since: 10280104 (Additional Parts)
46	EC7102-A	Nipping Station Motor (M2) with Break 5TK20G-AM(110V)	1		
47	E7102-G	Nipping Motor Reduced Gear Box 5GN75K	1		

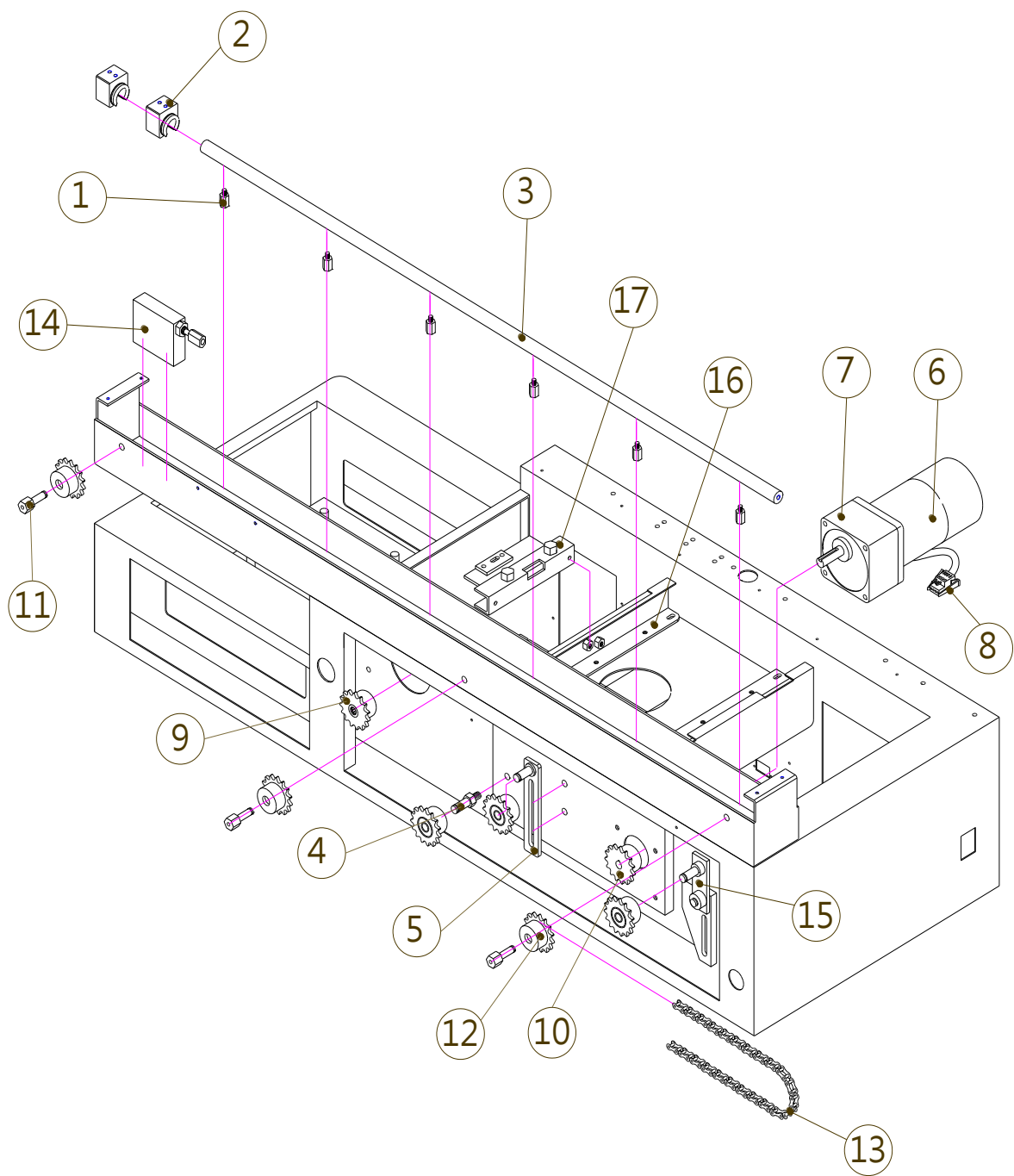
5. Clamp Station Section



INDEX	PARTS NO.	DESCRIPTION	QTY	AREA	REMARK
1	E5003	Clamp Wheel Seat	2	kit	
2	E5004	Clamp Driving Connector	1		
3	E5008	Clamp Worm Support + bearing x 2	2	kit	
4	E5009	Clamp Left-Right Worm + Left-Right Seat	1	kit	
5	E5012	Clamp Wheel Seat	2		
6	EC6502	Clamp Station Cover	1		
7	EC6512	Clamp Station Body	1		
8	EC6513A	Clamp Adjustment Plate(Left)	1		
9	EC6513B	Clamp Adjustment Plate (Right)	1		
10	EC6515B	Clamp Cover(Left)	1		
11	EC6515A	Clamp Cover(Right)	1		
12	EC6520	Glue Tank Position Plate	1		
13	E6516B	Clamp Beam Block Plate	1		
14	E6516A	Clamp Beam Block Plate	1		
15	EC6517	Block Plate for Clamp Wire Hose	1		
16	E6519	Clamp Station Wire Connector Seat	1		
17	EC7104-A	Clamp Motor (M6) 3RK15GN-A(110V)	1		
18	EC7104-G	Clamp Motor Reduced Box 3GN30K	1		
19	E7206-C	SN1Clamp Photo Switch C	1		
20	E7206-D	SN1Clamp Photo Switch D	1		
21	U9013	Clamp Transmission Gear 1 M1*30T*D10	2		
22	U5001	Clamp Transmission Bearing Seat + Bearing 6000ZZ	4	kit	
23	EC5006	Clamp Left Worm + Seat + Bearing	1	kit	Revision S/N Since: 10280001 (Original No. E5006)
24	EC5007	Clamp Left Worm + Seat + Bearing	1	kit	Revision S/N Since: 10280001 (Original No. E5007)
25	U9004	Clamp Chain Wheel 1/4"-18T*D10	4		
26	E9012	Clamp Transmission Chain 25*116 目+1 全目	2		

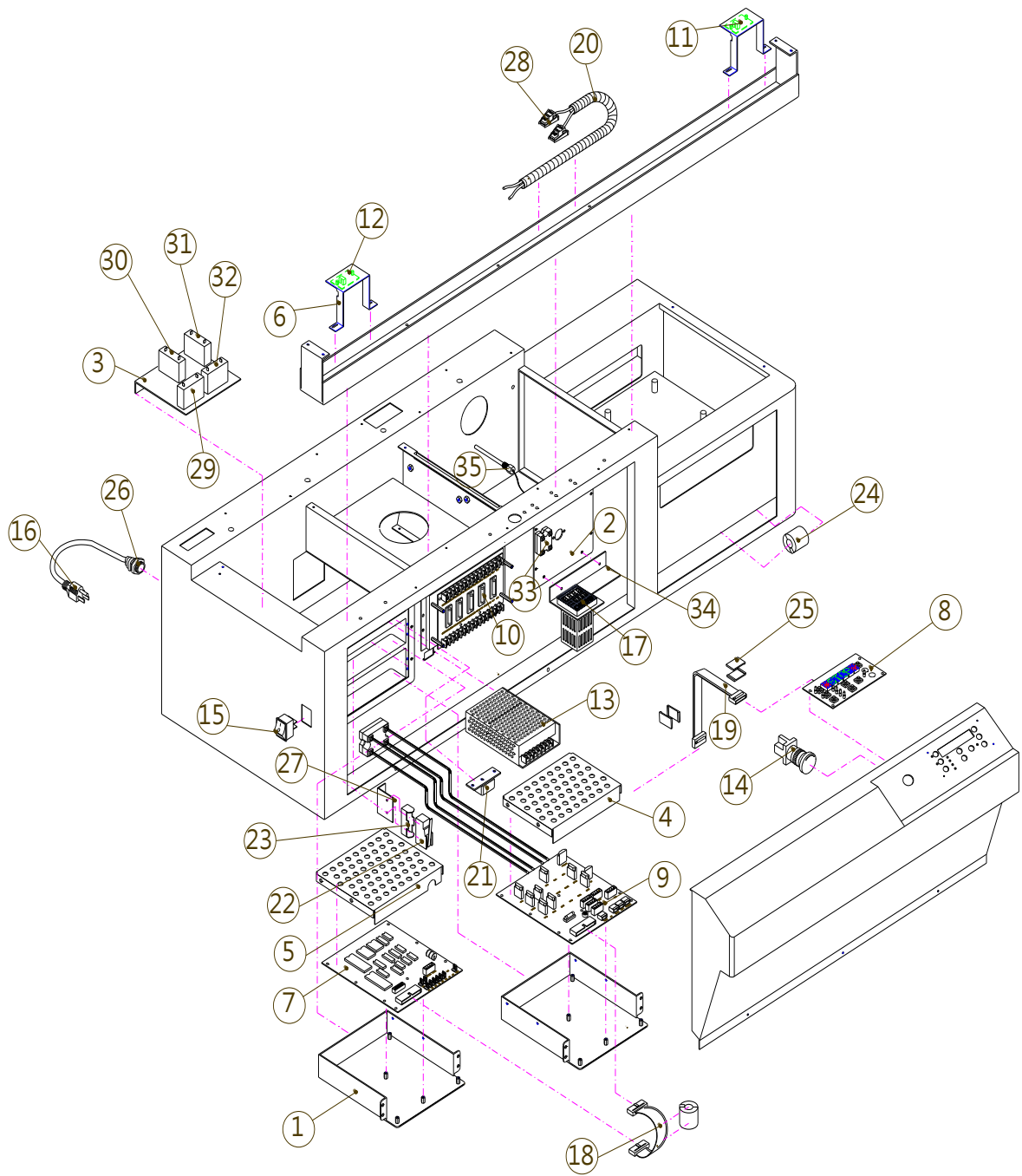
27	EC5018A	Clamp Plate Adjustment unit A	2	kit	Revision S/N Since: 10280001 (Additional Parts.)
28	EC5018B	Clamp Plate Adjustment unit B	6	kit	Revision S/N Since: 10280001 (Additional Parts)

6. Driving Section



INDEX	PARTS NO.	DESCRIPTION	QTY	AREA	REMARK
1	E4001	Driving Shaft Screw	6		
2	E4002	Driving Shaft Slide Seat	2	kit	
3	EC4003	Driving Shaft *1100 mm	1		
4	E4004	Sprocket Shaft	1		
5	E4006	Chain Adjustment	1		
6	E7101-A	Main Motor (M1) 4RK25GN-AM(110V)	1		
7	EC7101-G	Main Motor Reduced Gear Box 4GN25K	1		
8	E7402-W	Main Motor Power Connector- Female (4P)	1		
9	U9006	Sprocket Gear + bearing	1	kit	
10	E9001	Sprocket Gear - 3/8"-17T*D10	1		
11	U4007	Sprocket Gear	3		
12	U9007	Sprocket Gear - 3/8"15T*D26 with 6000ZZ bearing	6		
13	EC9011	Chain 35-158 目+2 全目	1		
	EC9011-1	Chain 35-156 目+1 全目	1		
14	E4008	Bumper Unit	1	kit	
15	EC4009	Idler Pulley Unit	1	kit	
16	EC6402	Notching Position Seat	2		
17	EC6416	Glue Tank Height Adjustment Unit	1	kit	Revision S/N Since: 11280036 (Invariable No.)

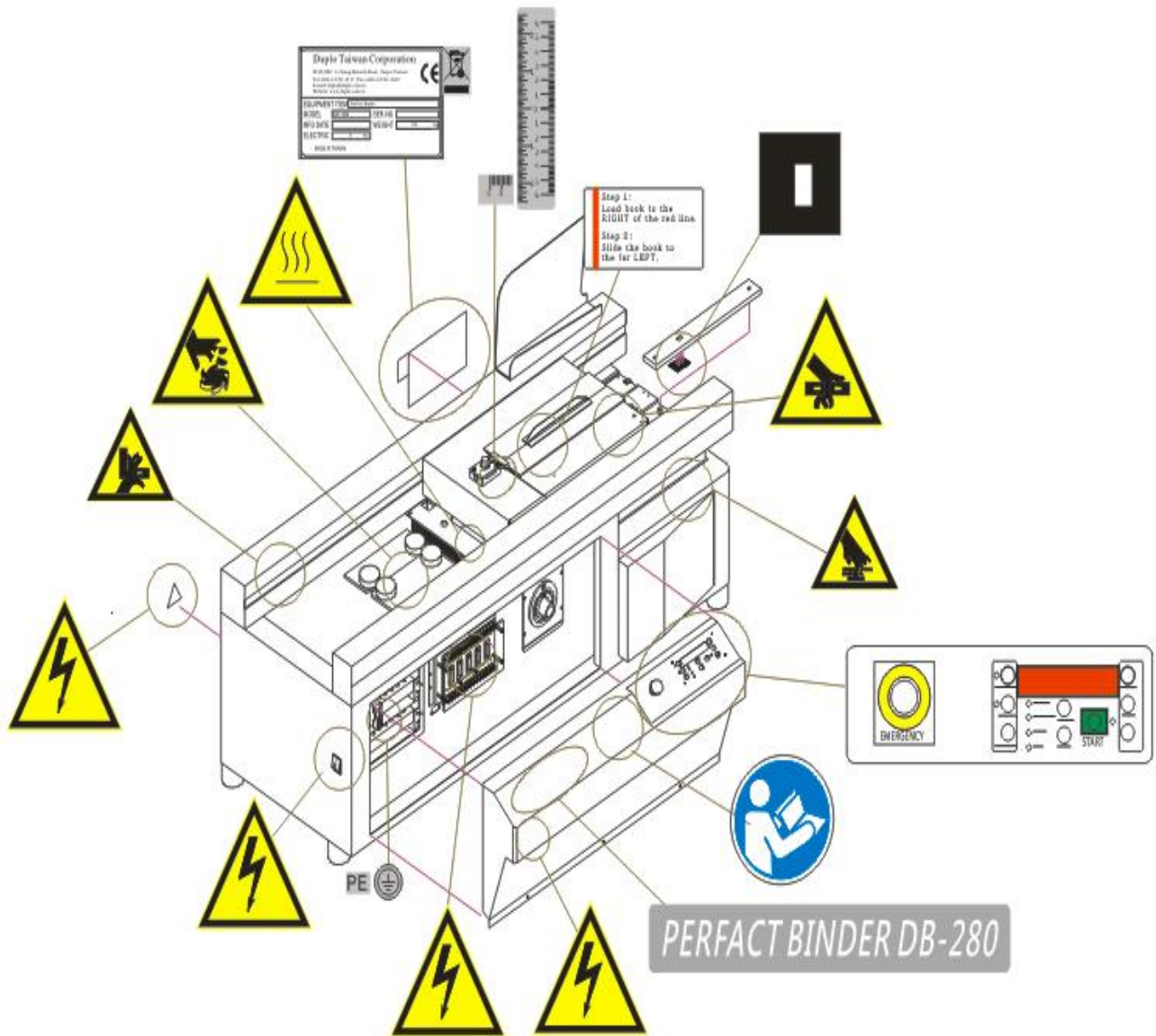
7. Electricity Section




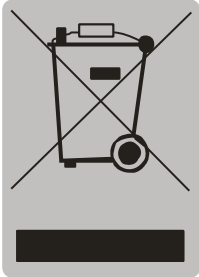
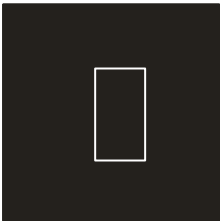



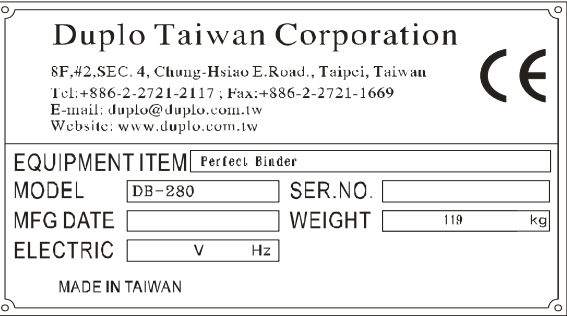
INDEX	PARTS NO.	DESCRIPTION	QTY	AREA	REMARK
1	E6011	PCB Box Base	2		
2	EC6012	Temp. Switch Bracket	1		Revision S/N Since: 11280036 (Invariable No.)
3	EC6014	Capacitance Base	1		
4	EC6015	PCB SSR Cover	1		
5	EC6016	PCB CPU Cover	1		
6	E6404	LS1/LS2 Photo Switch Bracket	2		
7	E7201-1	TG-200 CPU A board (V-3.66)	1		
7	E7201-2	TG-200 CPU A board (V-3.69C) LS5 Specification Added	1		Revision S/N Since: 10280104
8	E7202	DB-200 Panel B board	1		
9	E7203-1	TG-200 SSR board-110V(brake)	1		
9	E7203-2	TG-200 SSR C board -110V + Relay	1		Revision S/N Since: 10280011 (W/ETL Certification)
10	E7204	TG-200 FUSE D board-110V	1		
11	E7205	LS1 Photo Switch	1		
12	E7205-A	LS2 Photo Switch	1		
13	E7301	Switch Power Supply (with 0.47UF)	1		
14	E7302	Emergency Switch YS-L1-4 Red (UL)	1		
15	E7303	Main Power Switch 4P	1		
16	E7304	Main Power Chord - UL (110V)	1		
17	EC7306-1	Digital Thermostat	1		Revision S/N Since: 11280036 (Additional Parts)
18	E7308	Cable 2*13P*15CM – Double Female	1		
19	E7309	Cable 2*8P*70CM – Double Female	1		
20	EC8405	Wiring Hose with Wires and Power Connectors	1		
21	E7318	Ground Connection Plate	1		
22	E7310	Safety Switch	1		
23	E7310-1	Safety Switch Cover	1		
24	E7314	Emission Suppressor 1 CTRC-2629	2		
25	E7313	Emission Suppressor 2 K5A RP 31*2.5*22	4		
26	E7315	Power Chord Fastener	1		
27	E6410	Safety Switch Bracket	1		

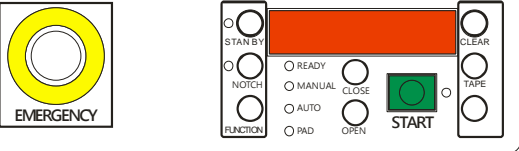

28	U7301-W	Connector - 3P	2		
29	E7101-A1	Main Motor capacitance - 8uf (110V)	1		
30	EC7102-A1	Nipping Motor capacitance - 12uf (110V)	1		
31	EC7103-A1	Notching Motor capacitance - 20uf(110V)	1		
32	EC7104-A1	Clamp Motor capacitance -8uf (110V)	1		
33	EC7319	Digital Thermostat Protect SSR	1		Revision S/N Since: 11280036 (Additional Parts)
34	EC6026	Digital Affixing Bracket	1		Revision S/N Since: 11280036 (Additional Parts)
35	U7506	Glue Tank Temperature Probe	1		Revision S/N Since: 11280036 (Additional Parts)

8. Sticker



Symbol	Parts No.	Name	Position
	EC8339	Electrical Shock Sticker	Stick at the Fuse PCB Cover, Stick at the left side of the Control Panel Cover, Stick at the top of the Power Switch, Stick at the top of Power Chord Fastener.
	EC8337	Hot Sticker	Stick at the top of the Glue Tank Cover
	EC8338	Milling Sticker	Stick at the top of the Notching Station Cover
	EC8335	Clamp Sticker	Stick at the top of the Clamp Station
	EC8336	Nip Sticker	Stick in front of the Nipping Station.
	EC8333	Crash Sticker	Stick at the left of the Rear Guide Cover
	EC8334	Read Manual Sticker	Stick at the left of the Control Panel

	EC8331	Sheets Distance Sticker	Stick at the Clamp Station Cover	
<p>Step 1: Load book to the RIGHT of the red line.</p> <p>Step 2: Slide the book to the far LEFT.</p>	E8317	Step indicated Sticker	Stick at the Clamp Station Cover	
	E8328	Recycle Sticker	Stick at the back of the machine	
	E8326	Light reflection sticker	At nipping station	
	E8304	Thickness Sticker	Stick at the top of the Clamp Station Cover	
	E8315	PE Sticker	Stick at the PCB Box Bracket	
	E8313	Ground Connector Sticker	Stick at the PCB Box Bracket	
		EC8307	Name Plate	Stick at the back of the machine

	EC8301	Control Panel Sticker	Stick on the Control Panel
	EC8329	Model Sticker	Stick at front and left of the machine.

Duplo Taiwan Corporation

TEL:886-2-27212117 FAX:886-2-27211669

8F., NO.2, SEC.4, CHUNG HSIAO E.RD., TAIPEI,TAIWAN

E-mail : duplo@duplo.com.tw

**V3.69C
2012.06**