

## 8.0 PARTS LISTS

All parts in each illustration are keyed with an index number for reference to the respective part number, part name, and quantity in the parts list.

When ordering service parts, always include the following information:

1. Machine Model Number
2. Machine Serial Number
3. Part Number
4. Part Name
5. Quantity Required

**Note: The Service Parts Department does not stock all hardware; to avoid delay, standard hardware shown in the parts list should be purchased locally whenever possible.**

# 8.0 PARTS LISTS

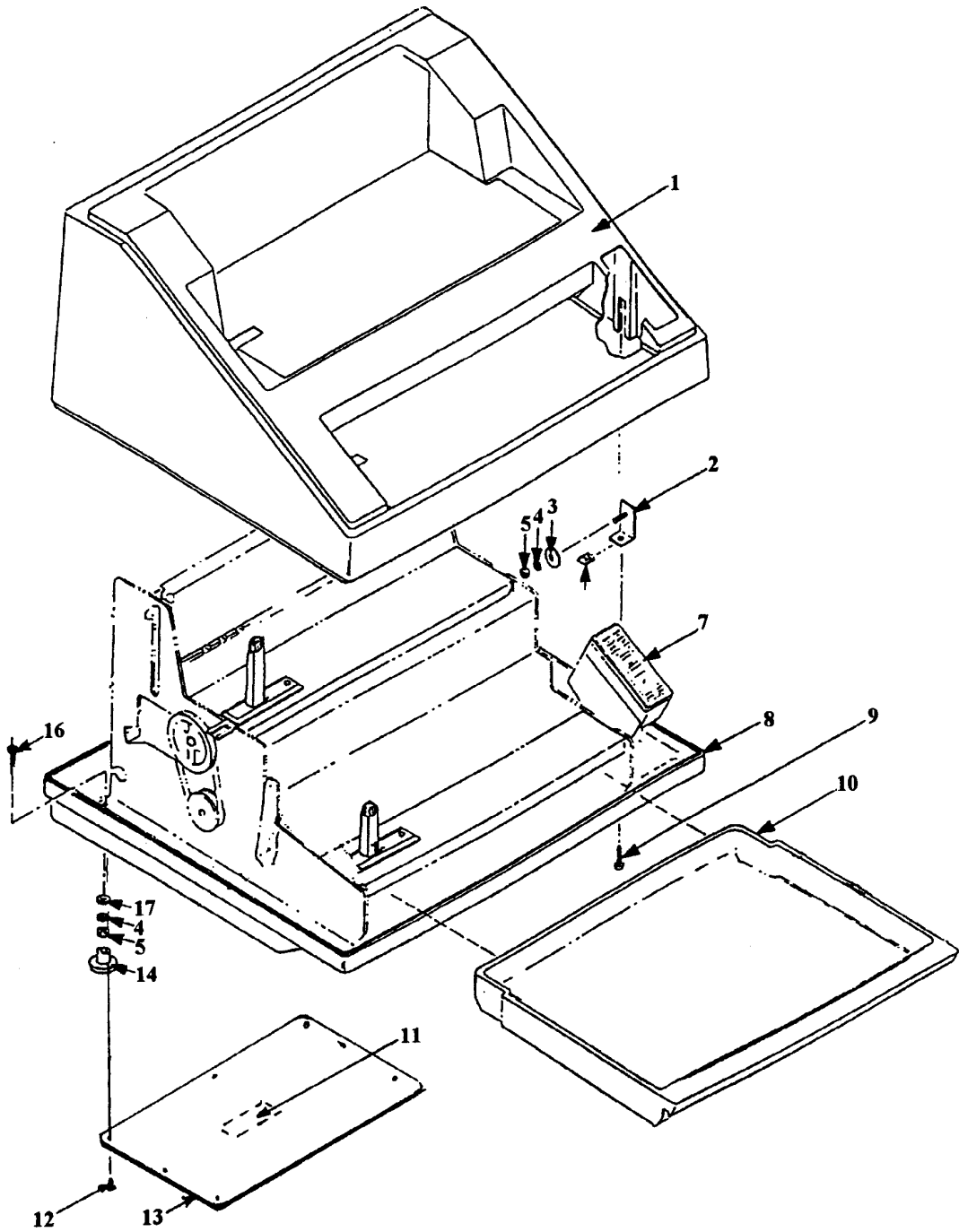


Figure 8-1

## 8.0 PARTS LISTS

**FIGURE 8-1 - HOUSING TO BASE ASSEMBLY PART NUMBER GUIDE**

ITEM #	PART NUMBER	DESCRIPTION	QTY
1	7705024	Housing Assembly (VeloBind) [Includes Items 2-6, Bind Platen (P/N 9781786), and Punch Platen (P/N 9781787)].	1
	7705023	Housing Assembly (SureBind) [Includes same as above]	1
2	9776720	Housing Mounting Bracket	4
3	1925023	#10 Flat Washer (was 9779928)	4
4	1926016	#10 Lock Washer (was 9779912)	10
5	1926703	#10 Hex Nut (was 9778590)	10
6	1931316	#10 Tinnerman Nut (was 9778610)	4
7	9781856	R. H. Switch Panel	1
	9784010	Switch Membrane UPROC	1
	9784009	P.C. Board, LED	1
	9784011	Button, Rubber	1
8	7705012	Base	1
9	1905018	10/16 X 1-1/4" Phillips Screw (was 9779206)	4
10	7705027	Debris Tray	1
	7705029	Label, Debris Tray Instructions	1
11	6009146	Label, Electric Shock (Dom)	1
12	1907832	Screw, 8-18 X 1/2 (was 9779219)	6
13	9776859	Bottom Plate, Protective Cover	1
14	1954507	Rubber Foot (was 9778089)	4
15			
16	1902856	10/24 X 1-1/8 Screw (was 9779179)	4
17	1925122	#10 Flat Washer (was 9779918)	4

# 8.0 PARTS LISTS

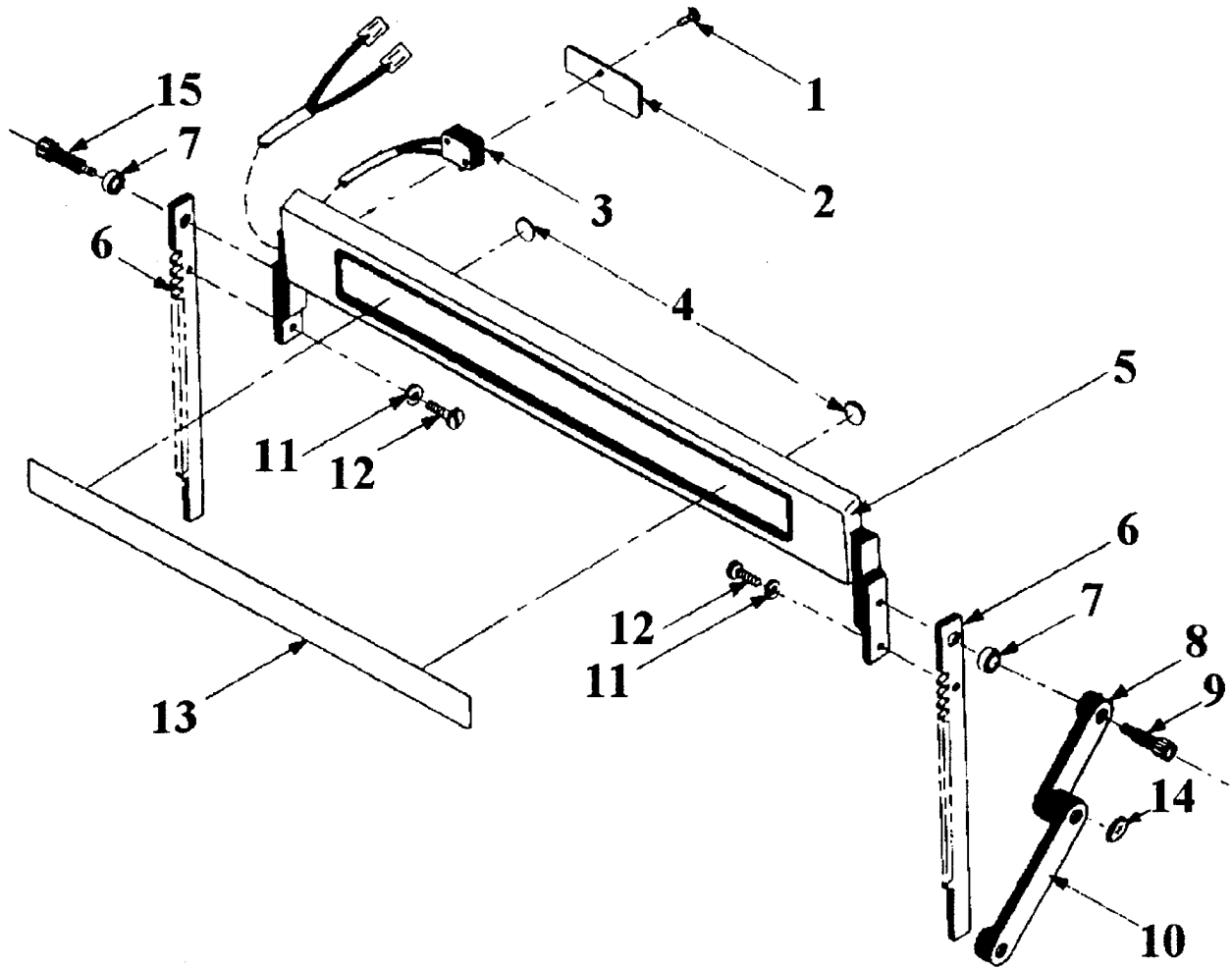


Figure 8-3

## 8.0 PARTS LISTS

**FIGURE 8-3 - PRESSURE BAR ASSEMBLY PART NUMBER GUIDE**

ITEM #	PART NUMBER	DESCRIPTION	QTY
1	1907615	2/56 X 3/16 Phillips Screw (was 9779223)	1
2	9776734	Switch Plate	1
3	9780089	Pressure Bar Switch Assembly	1
	9783663	Pressure Bar Harness Assembly	1
4	9778772	Felt Pad	2
5	7705067	Pressure Bar	1
6	9779044	Pressure Bar Rack	2
7*	9776620	Bushing	2
8*	9778460	Pressure Bar Return Link	1
9*	9779155	Shoulder Screw	2
10*	9776380	Pressure Bar Return Arm	1
11	1926016	#10 Lock Washer (was 9779912)	2
12	1902873	10/24 X 1/2 Phillips Screw (was 9779178)	1
13	9781783	Pressure Bar Logo - VB	1
	9781782	Pressure Bar Logo - SB	1
	9781881	Pressure Bar Logo - Nashuatec	1
	9781880	Pressure Bar Logo - Gestetner	1
	9781879	Pressure Bar Logo - GUSA/QB	1
14*	1928906	Speed Nut (was 9778609)	1
15*	1900806	Shoulder Screw (was 9779154)	1

***[\*NOTE: ITEMS 7, 8, 9, 10, 14 & 15 ARE NOT PART OF PRESSURE BAR ASSEMBLY]***

# 8.0 PARTS LISTS

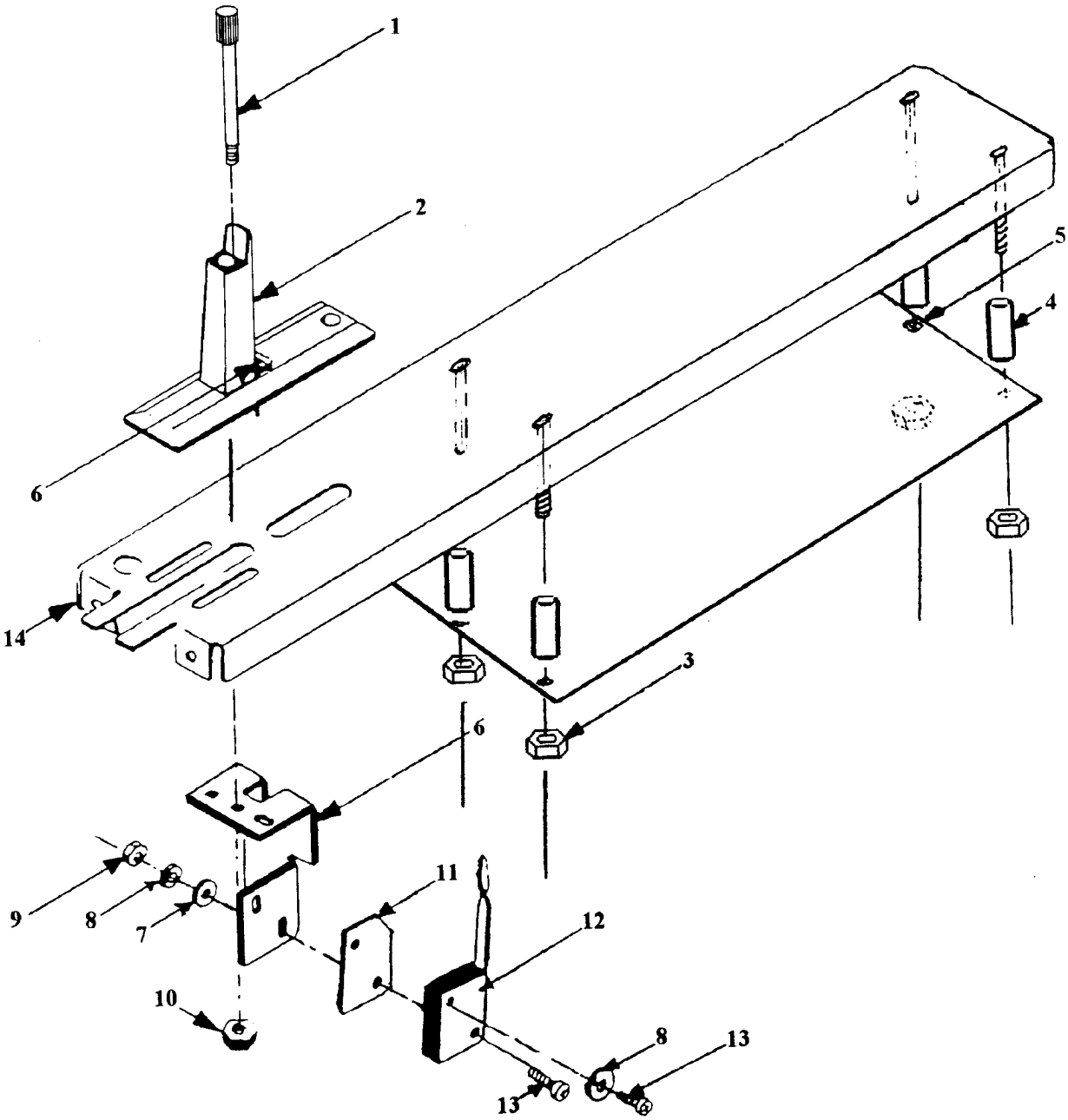


Figure 8-4

## 8.0 PARTS LISTS

**FIGURE 8-4 - PUNCH GUIDE ASSEMBLY PART NUMBER GUIDE**

ITEM #	PART NUMBER	DESCRIPTION	QTY
1	9778318	Punch Guide Knob	1
2	7705013	Punch Edge Guide	1
3	1927802	6/32 Plastic Nut (was 9781504)	4
4	1925304	P.C.B. Spacer (was 9781863)	4
5	9783672	P.C. Board Assembly	1
6	9783697	Switch Mounting Bracket	1
7	1925012	#4 Flat Washer (was 9779896)	2
8	1926007	#4 Lock Washer (was 9779909)	3
9	1926804	4/40 Hex Nut (was 9778587)	2
10	1927403	6/32 Lock Nut (was 9778592)	1
11	9778285	Insulator	1
12	7701613	Auto Punch Switch	1
13	1902840	4/40 X 3/4 Phillips Screw (was 9779170)	2
14	9781857	Punch Guide Support	1
15	9781469	Punch Edge Guide Decal	1

# 8.0 PARTS LISTS

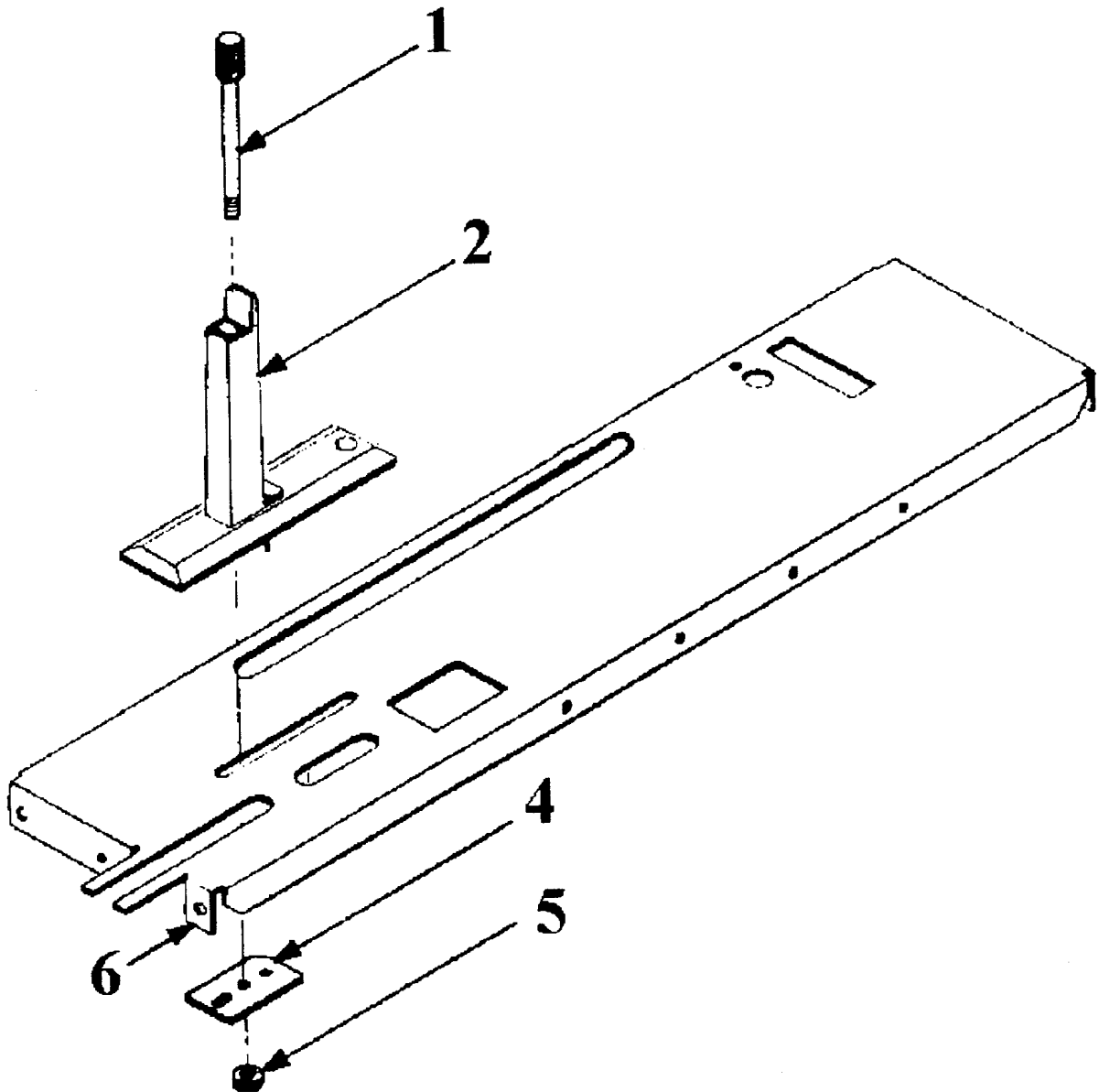


Figure 8-5



## 8.0 PARTS LISTS

**FIGURE 8-5 – BIND GUIDE ASSEMBLY PART NUMBER GUIDE**

<b>ITEM #</b>	<b>PART NUMBER</b>	<b>DESCRIPTION</b>	<b>QTY</b>
1	9778317	Bind Guide Knob	1
2	7705069	Bind Edge Guide	1
3	NOT USED		
4	9778756	Retainer Plate	1
5	1907403	6/32 Lock Nut (was 9778592)	1
6	7705068	Bind Guide Support	1

# 8.0 PARTS LISTS

PARTS GUIDE ON PAGES 8-13, 14, & 15

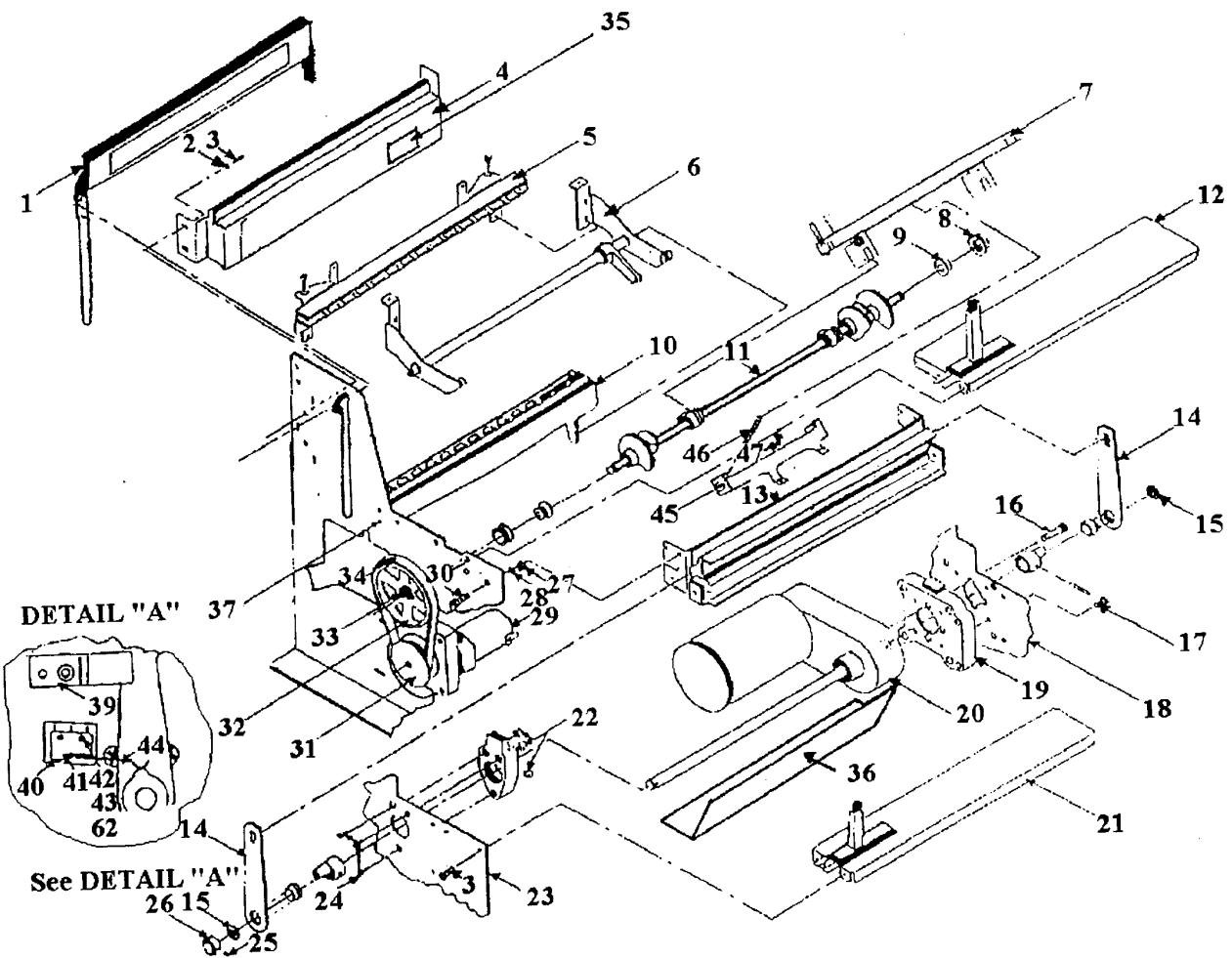


Figure 8-6

8-10

# 8.0 PARTS LISTS

PARTS GUIDE ON PAGES 8-13, 14, & 15

OUTSIDE RIGHT SIDE PLATE

INSIDE RIGHT SIDE PLATE

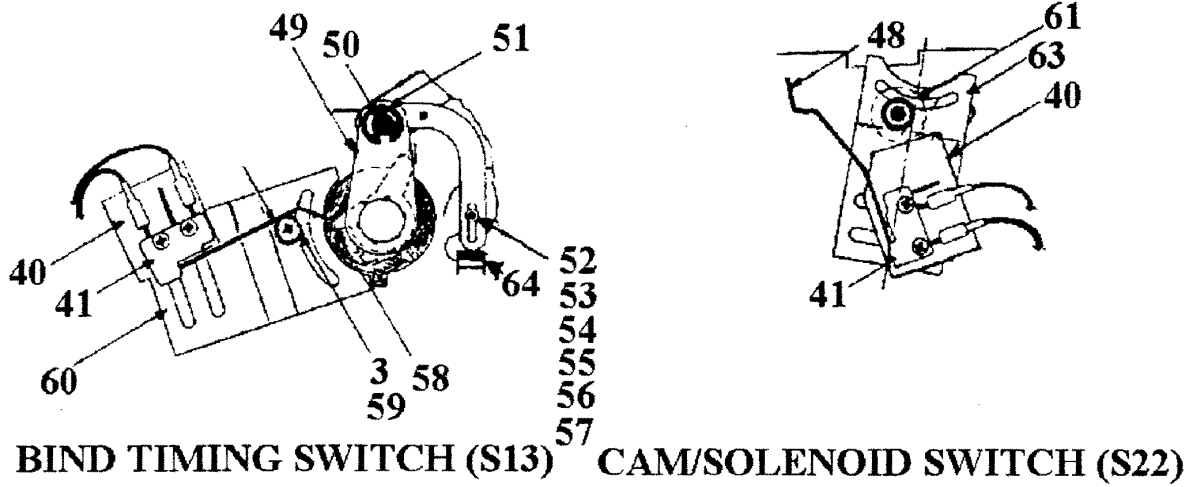


Figure 8-6 (Continued)

# 8.0 PARTS LISTS

PARTS GUIDE ON PAGES 8-13, 14, & 15

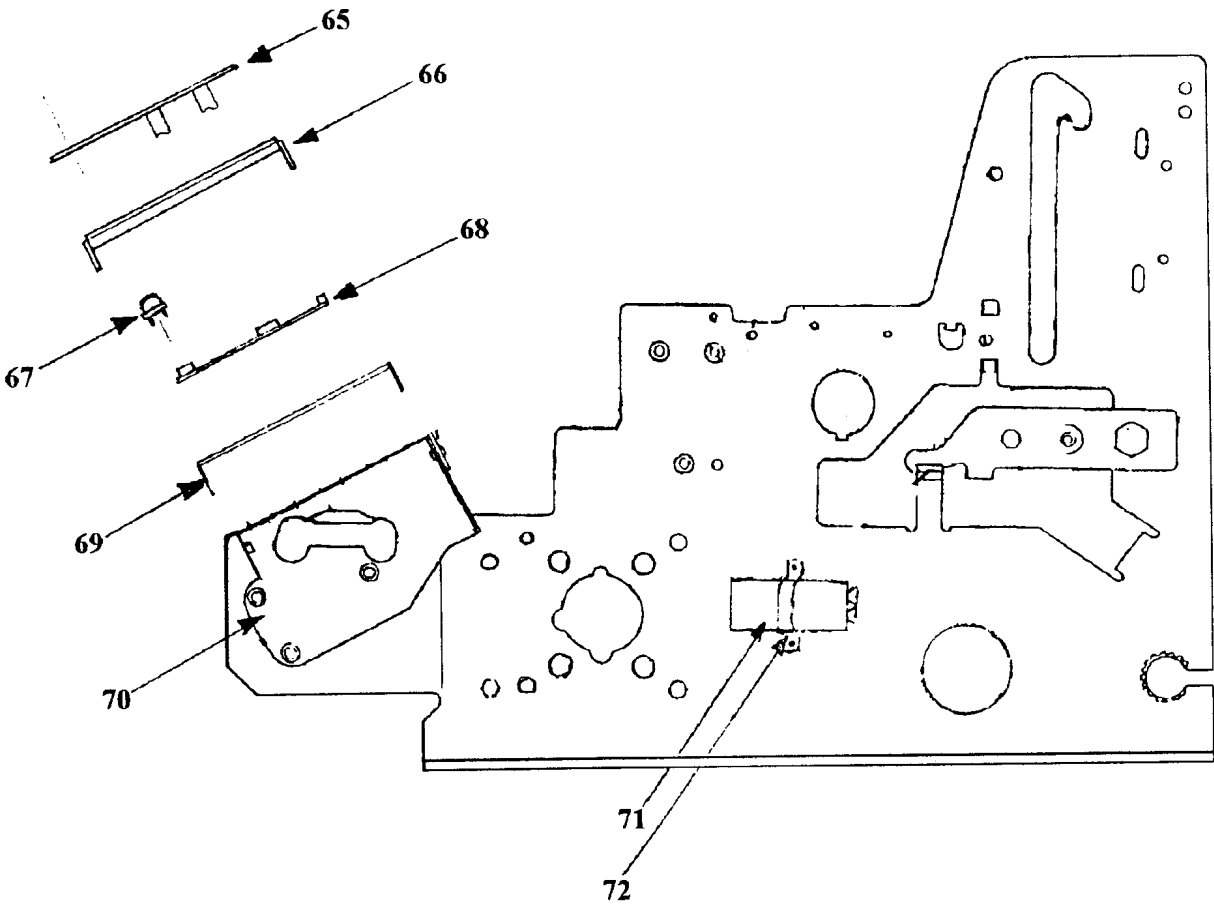


Figure 8-6 (Continued)

## 8.0 PARTS LISTS

**FIGURE 8-6 - CHASSIS ASSEMBLY PART NUMBER GUIDE**

ITEM #	PART NUMBER	DESCRIPTION	QTY
1	9781833	Pressure Bar Assembly	1
2	1925119	#6 Flat Washer (was 9779897)	4
3	1907830	6/32 X 3/8 Phillips Screw (was 9779219)	4
4	7705032	Backstop - VeloBind	1
	7705072	Backstop - SureBind	1
5	9782060	Knife Assembly (120 V. VeloBind)	1
	9782061	Knife Assembly (240 V. VeloBind)	1
	9781614	Knife Assembly (120 V. SureBind)	1
	9781613	Knife Assembly (230 V. SureBind)	1
	9782062	Knife Assembly (100 V. SureBind)	1
6		Ecc. Shaft/Cutter Arm Assy	1
7		Cooling Finger/Bracket Assy	1
8	9776611	Bearing	2
9	9779236	Cam Shaft Journal	2
10		Bridge Assembly	1
11		Cam Shaft Assembly	1
12		Bind Guide Assembly	1
13	9781814	Punch Assembly	1
14	9778461	Punch Link	2
15	1932513	Retaining Clip (was 9777570)	2
16	1964506	5/16 X 3/4 Socket Screw (was 9779205)	3
17	1964502	10/24 X 1/2 Flat Hd Screw (was 9779204)	4
18		Right Side Plate Assembly	1
19	9776389	Punch Motor Adapter	1
20	9778567	115 Volt Motor Assembly	1
	9778568	240 Volt Motor Assembly	1
21		Punch Guide Assembly	1
22	1927409	Lock Nut (was 9778597)	3
23		Left Side Plate Assembly	1
24	1902637	10/24 X 3/4 Phillips Screw (was 9779187)	3
25	1900019	6/32 X 1/8 Socket Set Screw (was 9779192)	1
26	9781677	Punch Switch Cam	1

## 8.0 PARTS LISTS

**FIGURE 8-6 - CHASSIS ASSEMBLY PART NUMBER GUIDE (Cont'd.)**

ITEM #	PART NUMBER	DESCRIPTION	QTY
27	1926729	1/4-20 Hex Nut (was 9778591)	6
28	1926018	1/4 Lock Washer (was 9779913)	6
29	9778565	Bind Motor	1
30	1900524	1/4-20 X 7/8 Socket Screw (was 9779141)	6
31	9778704	Bind Motor Pulley	1
32	9778705	Drive Pulley	1
33	1930522	E-Ring (was 9779072)	1
34	9776613	Timing Belt	1
35	6009094	Label, Caution Hot Surface (Domestic)	1
36	9781826	Screen, Protective	1
37	1902873	10/24 X 1/2 Phillips Screw (was 9779178)	2
38			
39	9776726	Punch Link Retainer Bracket	1
40	9778287	Insulator	3
41	9779311	Switch	3
42	1902872	2/56 X 9/16 Phillips Screw (was 9779168)	6
43	1925805	Internal Tooth Lock Washer (was 9779920)	6
44	9776353	Switch Actuator (Punch)	2
45	9780061	Solenoid Adjusting Bracket	1
46	9776605	Extension Spring	1
47	1930204	Cotter Pin (was 9776588)	1
48	9776354	Switch Actuator	1
49	9778467	Brass Link	1
50	9781811	Rivet, Pressure Bar Return, Trunnion	1
51	1930510	E-Ring (was 9779069)	1
52	1902840	4/40 X 3/4 Phillips Screw (was 9779170)	1
53	9779090	Drive Arm Roller	1
54	1925012	#4 Flat Washer (was 9779896)	1
55	1926007	#4 Lock Washer (was 9779909)	1
56	1926711	4/40 Hex Nut (was 9778587)	1
57	9776394	Drive Arm	1
58	9778116	Drive Gear	1
59	1925904	#6 Star Washer (was 9779925)	3
60	9776958	Switch Mounting Bracket	1

## 8.0 PARTS LISTS

**FIGURE 8-6 - CHASSIS ASSEMBLY PART NUMBER GUIDE (Cont'd.)**

61	9776478	Spacer	1
62	9778618	Nut Plate	3
63	9780061	Switch Mounting Bracket	1
64	9778639	Rubber Drive Arm Cushion	1
65	7705016	Switch Membrane	1
66	7705014	Switch Panel	1
67	7705015	Rubber Button	1
68	9784009	User P.C. Board	1
69	9781013	Mounting Bracket	1
70	9776709	Adjusting Bracket	1
71	9776779	120 VAC Capacitor	1
	9781230	230 VAC Capacitor	1
72	9781198	120 VAC Capacitor Bracket	1
	9781197	230 VAC Capacitor Bracket	1

# 8.0 PARTS LISTS

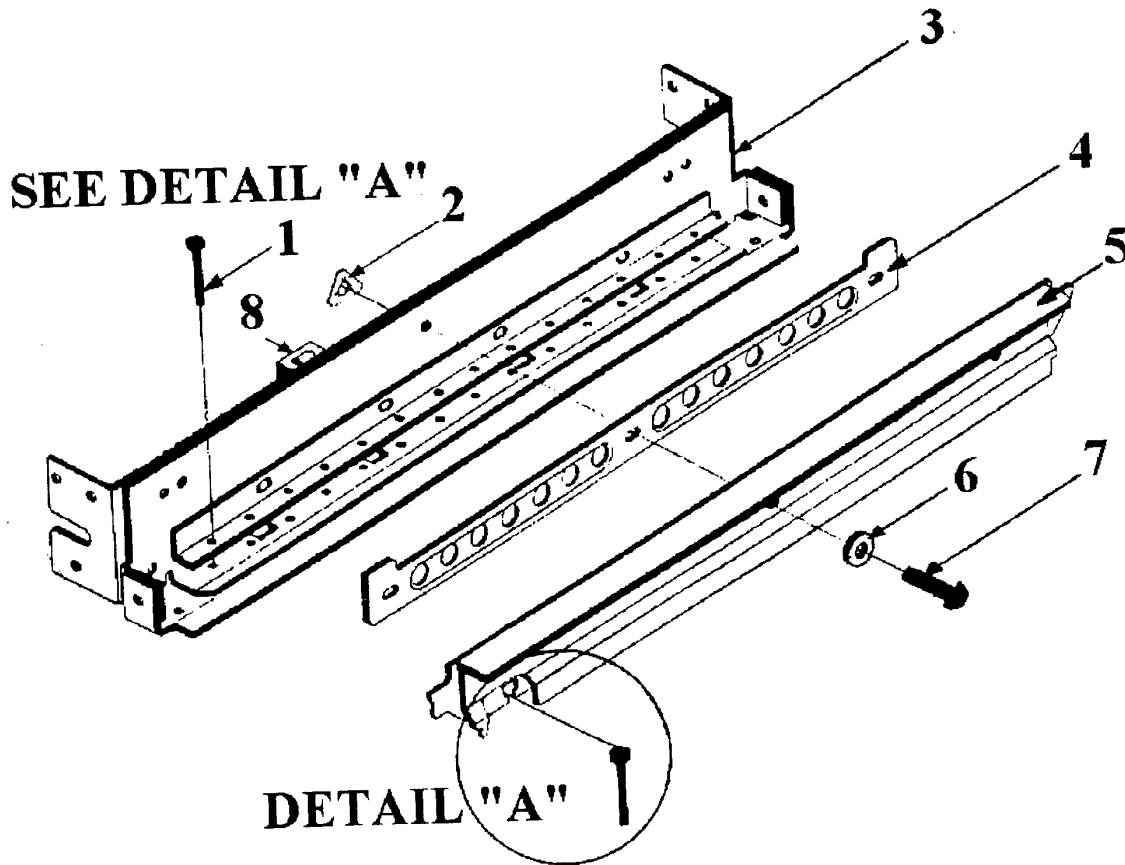


Figure 8-7



## 8.0 PARTS LISTS

**FIGURE 8-7 - PUNCH ASSEMBLY PART NUMBER GUIDE**

ITEM #	PART NUMBER	DESCRIPTION	QTY
N/A	9781029	Punch Assembly - VB(Includes Items 1-7 only)	1
	9781814	Punch Assembly - SB(Includes Items 1-7 only)	1
1	9778684	Punch Pin	14
2	1929105	Retaining Clip (was 9779078)	6
3	9778638	Punch Housing - VeloBind	1
	9781804	Punch Housing - SureBind	1
4	9779250	Punch Spacer	1
5	9776364	Punch Actuator - VeloBind	1
	9781390	Punch Actuator - SureBind	1
6	1925218	Plastic Washer (was 9779933)	3
7	1931201	Retaining Pin (was 9779063)	3
8	9780113	115 Volt Solenoid	1
	9780114	240 Volt Solenoid	1
	1900594	6-32 x 1/4 Screw for Solenoid (was 9779122)	4

**NOTE: "DETAIL A" SHOWS PIN TO ACTUATOR ASSEMBLY.**

# 8.0 PARTS LISTS

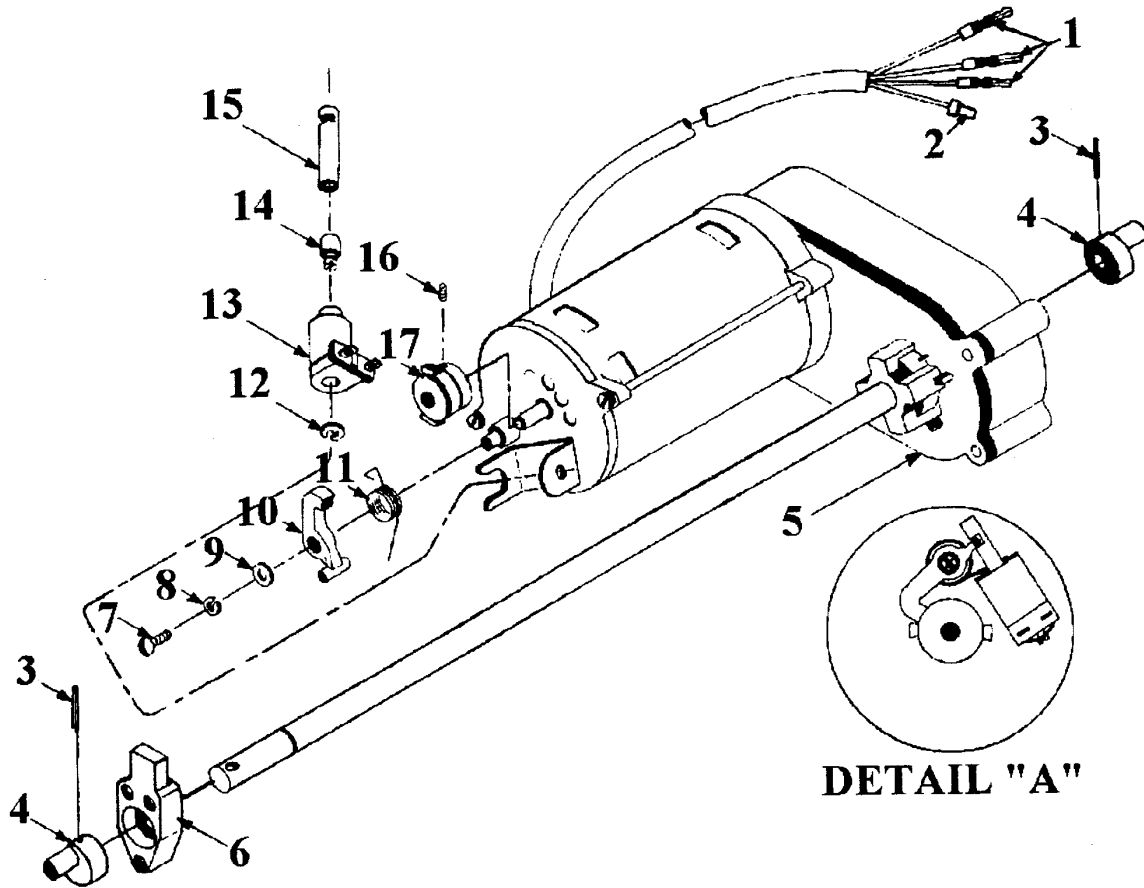


Figure 8-8

## 8.0 PARTS LISTS

**FIGURE 8-8 - PUNCH MOTOR ASSEMBLY PART NUMBER GUIDE**

ITEM #	PART NUMBER	DESCRIPTION	QTY
N/A	9778567	Punch Motor Assembly (115 V)	1
N/A	9778568	Punch Motor Assembly (240 V)	1
1	1940005	Bullet Terminal Lug (was 9779383)	3
2	1940101	Cap Splice Connector (was 9776789)	1
3	9778669	Roll Pin	2
4	9776842	Punch Drive Crank	2
5	9777213	Punch Gearmotor (115 V)	1
	9776944	Punch Gearmotor (240 V)	1
6	9776610	Punch Shaft Bearing	1
7	9776313	6/32 X 1/4 Screw	1
8	1926005	#6 Lock Washer (was 9776312)	1
9	1925119	#6 Flat Washer (was 9776311)	1
10	9776310	Lever Arm	1
11	9776309	Spring	1
12/13/14/15	9776316	115 VAC Solenoid Kit	1
	9776317	240 VAC Solenoid Kit	1
16	9776314	Hub Set Screw	1
17	9776308	Brake Hub	1

**NOTE: "DETAIL A" SHOWS PUNCH MOTOR BRAKE COMPONENTS ASSEMBLED.**

# 8.0 PARTS LISTS

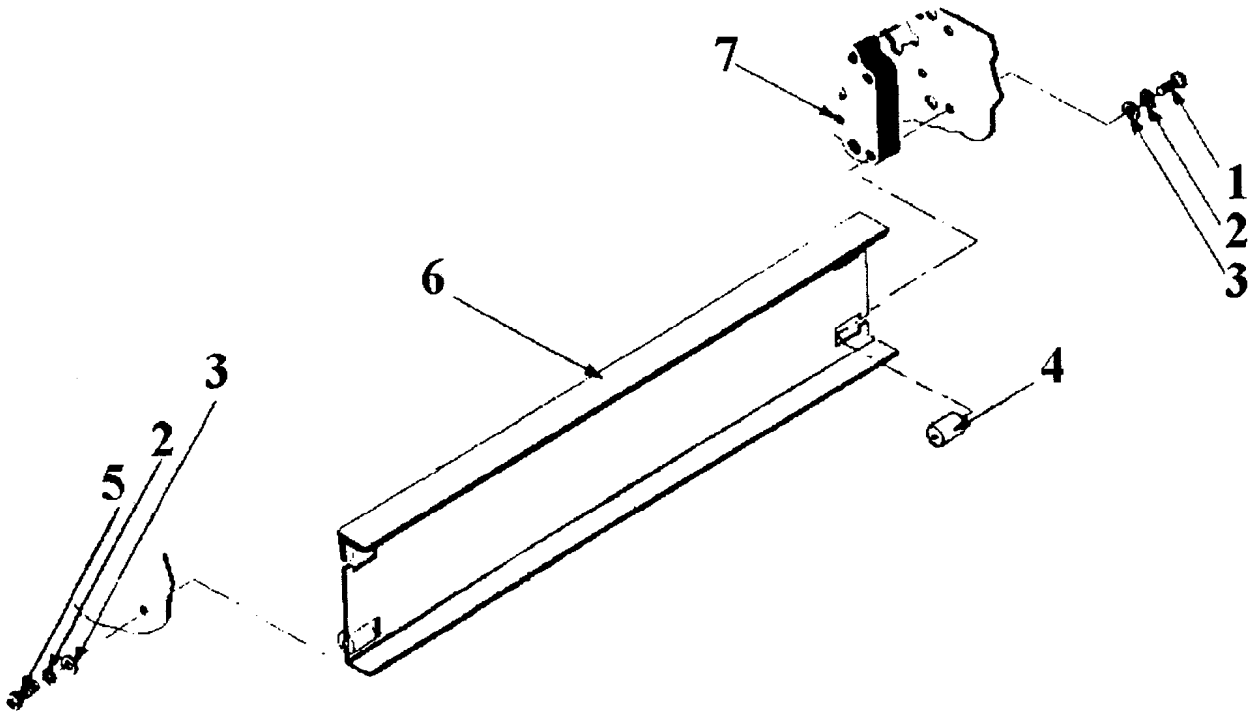


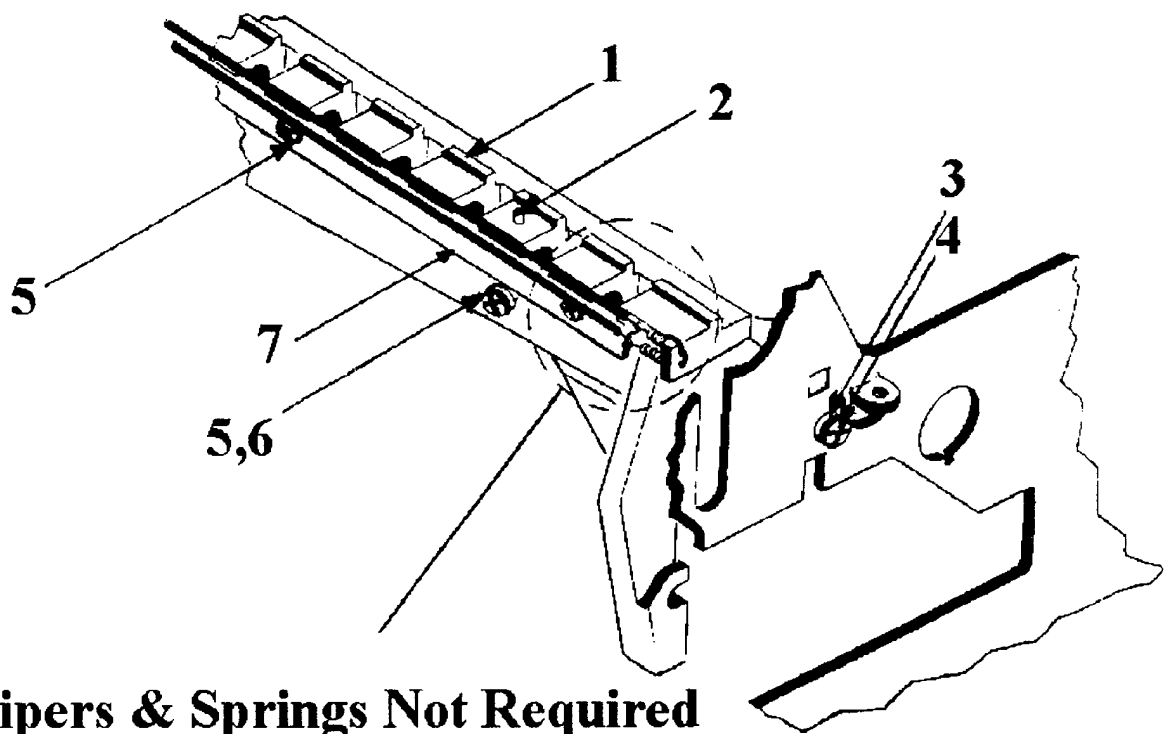
Figure 8-9

## 8.0 PARTS LISTS

**FIGURE 8-9 - SUPPORT ASSEMBLY PART NUMBER GUIDE**

<b>ITEM #</b>	<b>PART NUMBER</b>	<b>DESCRIPTION</b>	<b>QTY</b>
1	1900533	8/32 X 1-1/4 Socket Screw - was 9779134	2
2	1926003	#8 Lock Washer - was 9779911	4
3	1925008	#8 Flat Washer - was 9779898	4
4	9776927	Round Slotted Nut	4
5	1900575	8/32 X 3/4 Socket Screw - was 9779132	2
6	9776935	Gearbox Support	1
7	9776389	Punch Motor Adaptor	1

## 8.0 PARTS LISTS



**Wipers & Springs Not Required**

**Figure 8-10**

## 8.0 PARTS LISTS

**FIGURE 8-10 - BRIDGE ASSEMBLY PART NUMBER GUIDE**

<b>ITEM #</b>	<b>PART NUMBER</b>	<b>DESCRIPTION</b>	<b>QTY</b>
1	9776700	Bridge (VeloBind)	1
	9781597	Bridge (SureBind)	1
2	9778689	Locating Pin	1
	9781894	Locating Pin (SureBind)	1
3	1926003	#8 Lock Washer - was 9779911	2
4	1907829	8/32 X 1/2 Phillips Screw - was 9779222	2
5	1907839	10/32 X 1/2 Phillips Screw - was 9781895	5
6	1925803	#8 Star Washer - was 9779923	1
7	9776731	Stripper Bracket (VeloBind)	1
	9781596	Stripper Bracket (SureBind)	1

# 8.0 PARTS LISTS

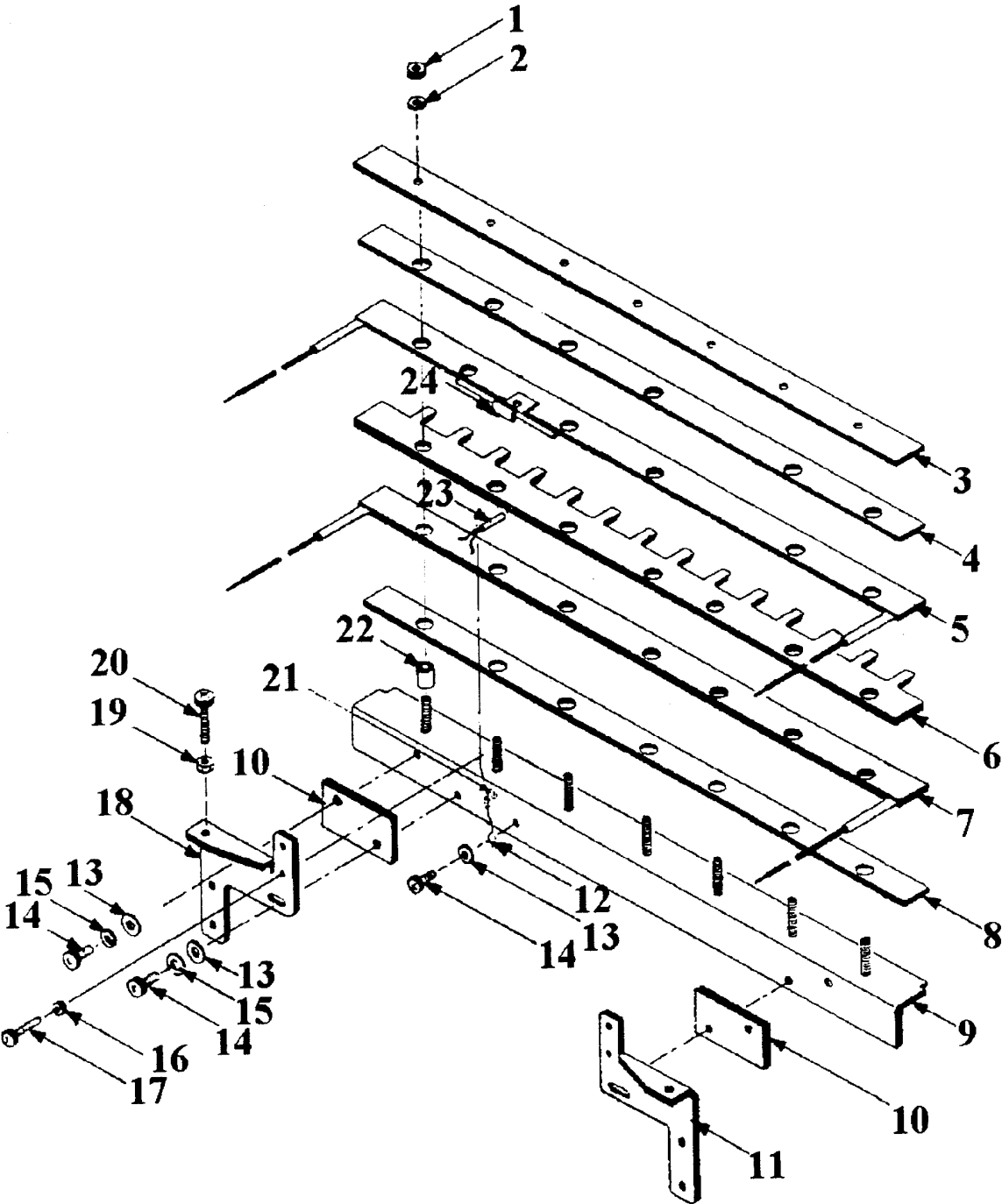


Figure 8-11



## 8.0 PARTS LISTS

**FIGURE 8-11 - KNIFE ASSEMBLY PART NUMBER GUIDE**

ITEM #	NEW PART NUMBER	DESCRIPTION	QTY
1	1926707	6/32 Hex Nut - was 9778588	7
2	1926005	#6 Lock Washer - was 9779910	7
3	9778754	Knife Heater Plate	1
4	9778289	Insulator	1
5	9778217	Upper Heater	1
	9781620	100 VAC Upper Heater	1
6	9776713	Knife Blade - VeloBind	1
	9781601	Knife Blade - SureBind	1
7	9778226	Lower Heater	1
	9781619	100 VAC Lower Heater	1
8	9778289	Insulator	1
9	9776705	Heater Support	1
10	9778294	Bracket Insulator	2
11	9776704	Left Heater Bracket	1
12	9779089	Thermistor Retainer	1
13	1925008	#8 Flat Washer - was 9779898	5
14	1902809	8/32 X 1/2 Screw - was 9779175	5
15	1926003	#8 Lock Washer - was 9779911	4
16	1926711	4/40 Hex Nut - was 9778587	2
17	1900023	4/40 X 3/4 Set Screw - was 9781615	2
18	9776703	Right Heater Bracket	1
19	1926701	8/32 Hex Nut - was 9778589	2
20	1902806	8/32 X 5/8 Screw - was 9779177	2
21	1954422	Teflon Sleeve - was 9781237	1
22	9778296	Ceramic Insulator	7
23	9781354	Thermistor	1
24	9781812	Cut-Off Thermostat	1
	9781645	Cable Clamps (not shown)	2

## 8.0 PARTS LISTS

### 100/115 VOLT KNIFE WIRING

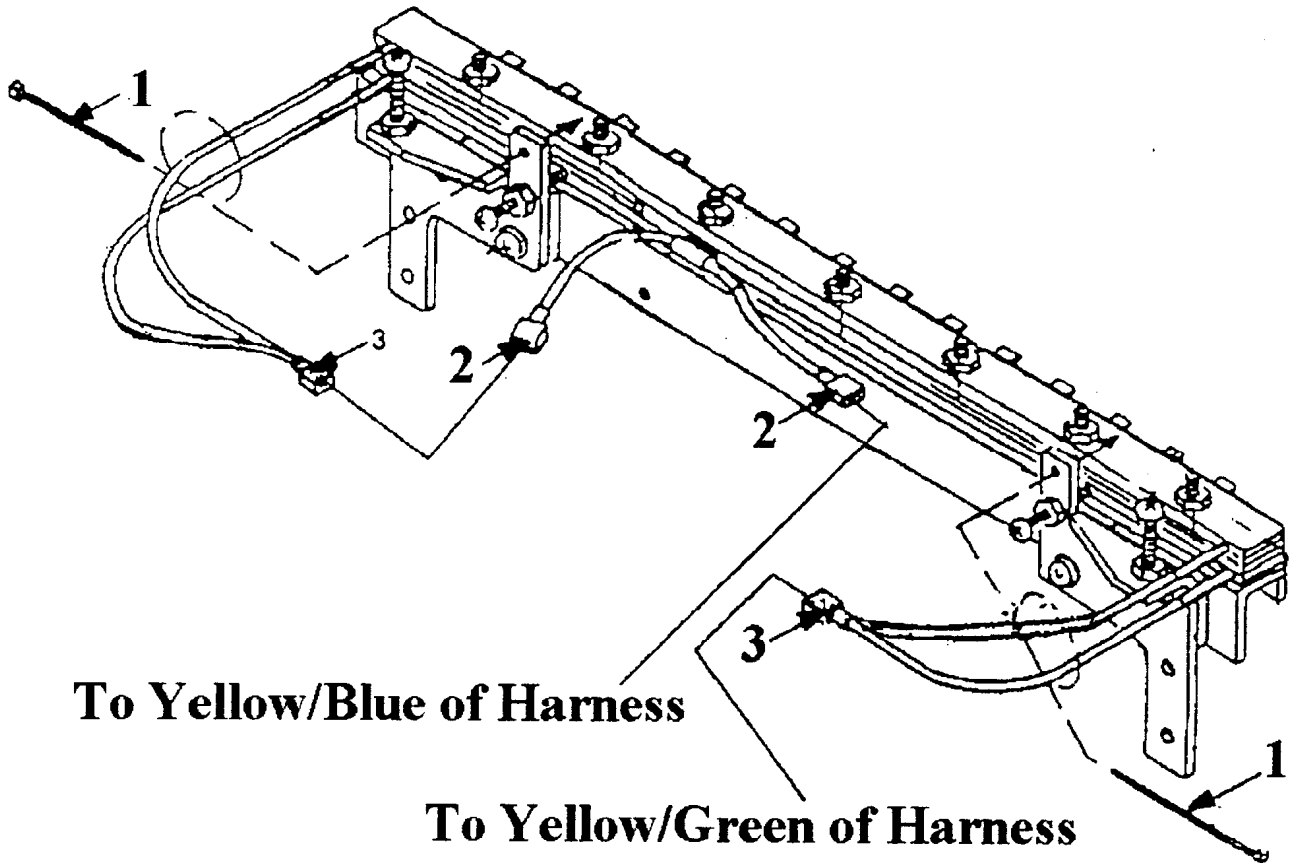


Figure 8-12

#### KNIFE WIRING PART NUMBER GUIDE

ITEM #	PART #	DESCRIPTION	QTY
1	1932121	Cable Tie (was 9779396)	2
2	1940802	Insulated Terminal (was 9779385)	1
2A	1950122	Insulated Terminal	1
3	1950123	Insulated Terminal (was 9780158)	2

## 8.0 PARTS LISTS

### 230 VOLT KNIFE WIRING

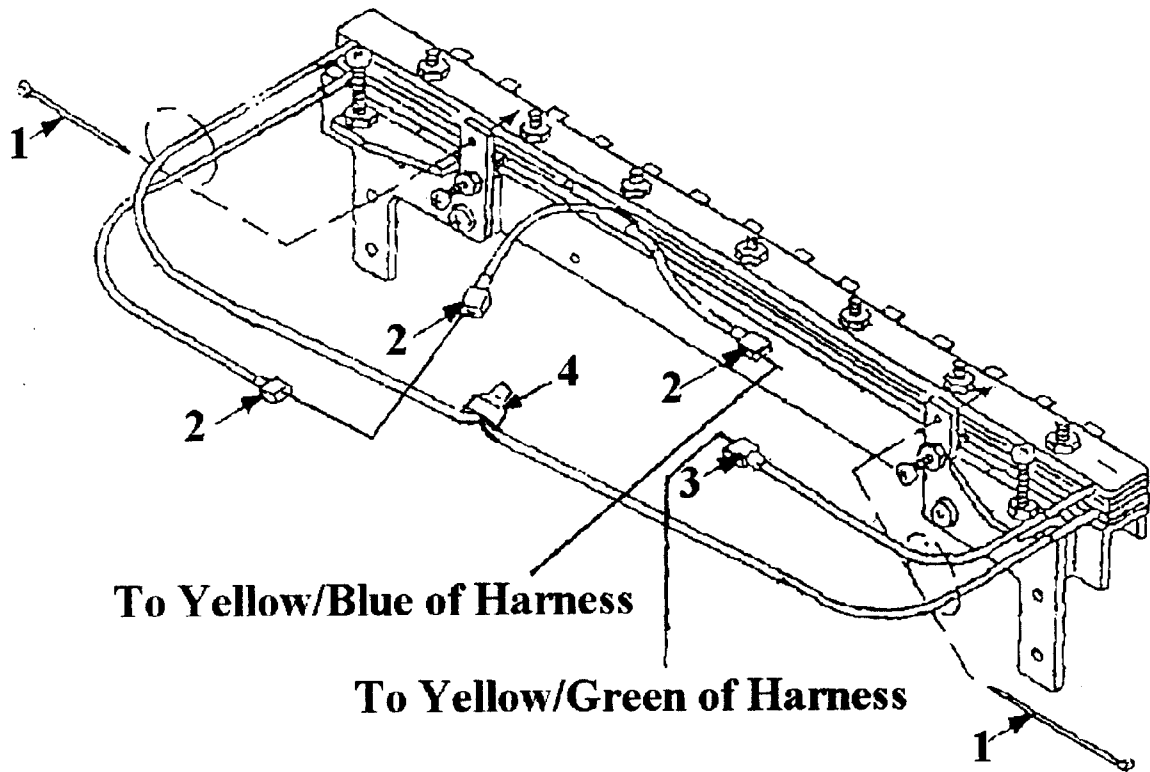


Figure 8-13

### KNIFE WIRING PART NUMBER GUIDE

ITEM #	PART #	DESCRIPTION	QTY
1	1932121	Cable Tie (was 9779396)	2
2	1940802	Insulated Terminal (was 9779385)	1
3	1950122	Insulated Terminal (was 9780158)	3
4	1940101	Splice Connector (was 9776789)	1

# 8.0 PARTS LISTS

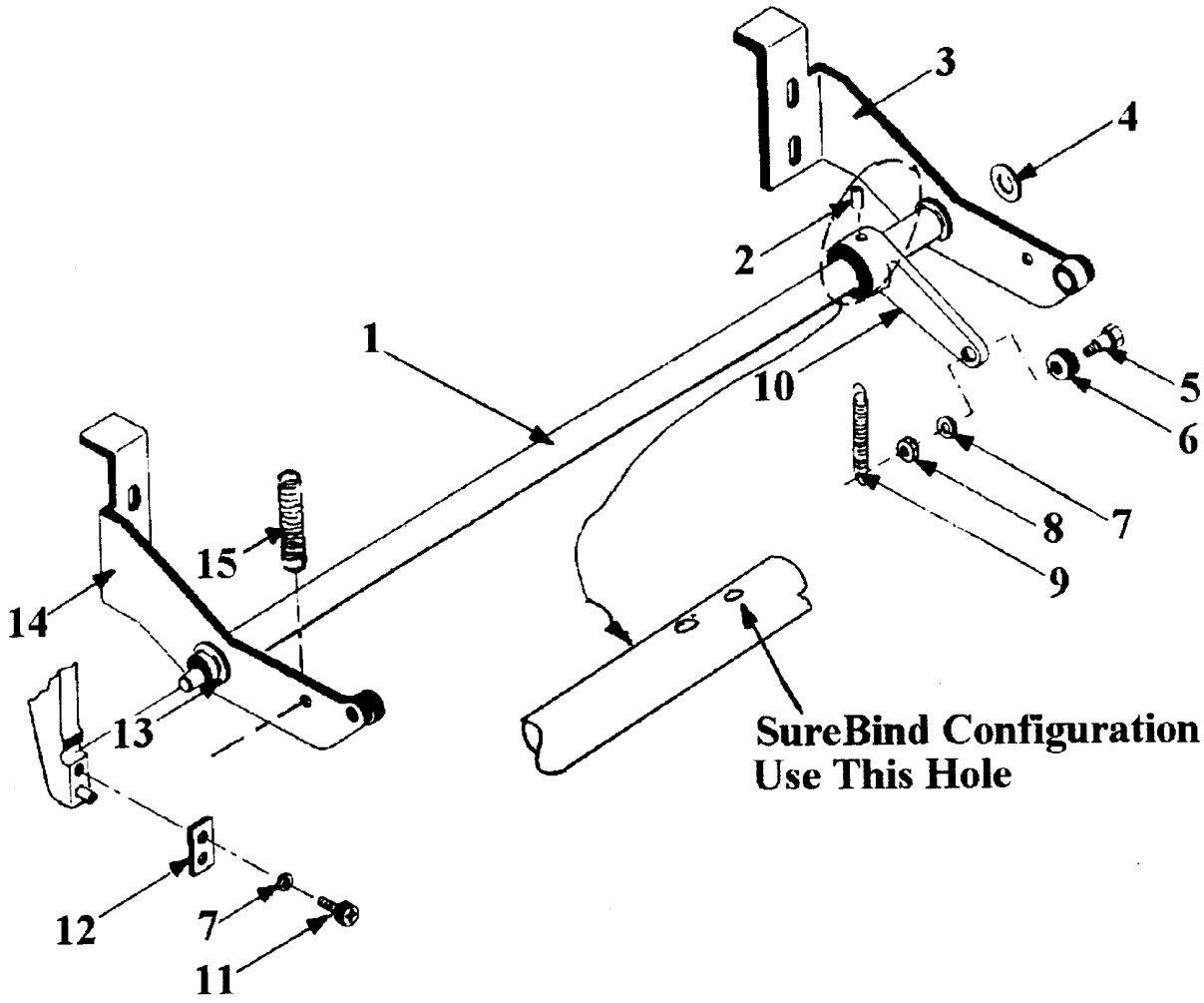


Figure 8-14

## 8.0 PARTS LISTS

**FIGURE 8-14 - CUTTER ARM/SHAFT PART NUMBER GUIDE**

ITEM #	PART NUMBER	DESCRIPTION	QTY
N/A	N/A	Cutter Arm Shaft Assembly (Includes Items 1, 2, 5-8, and 10)	1
1	9779235	Cutter Arm Shaft	1
2	9778666	Roll Pin	1
3	9776383	Right Cutter Arm Assembly	1
4	9778766	Teflon Washer	2
5	9779346	Shoulder Screw	2
6	9779084	Roller	1
7	9779911	#8 Lock Washer	3
8	9778589	8/32 Hex Nut	1
9	9779260	Extension Spring	1
10	9776376	Extruder Arm	1
11	9779222	8/32 X 1/2 Screw	2
12	9778751	Retaining Plate	2
13	9779072	E-Ring	4
14	9776384	Left Cutter Arm Assembly	1
15	9779278	Extension Spring	2

## 8.0 PARTS LISTS

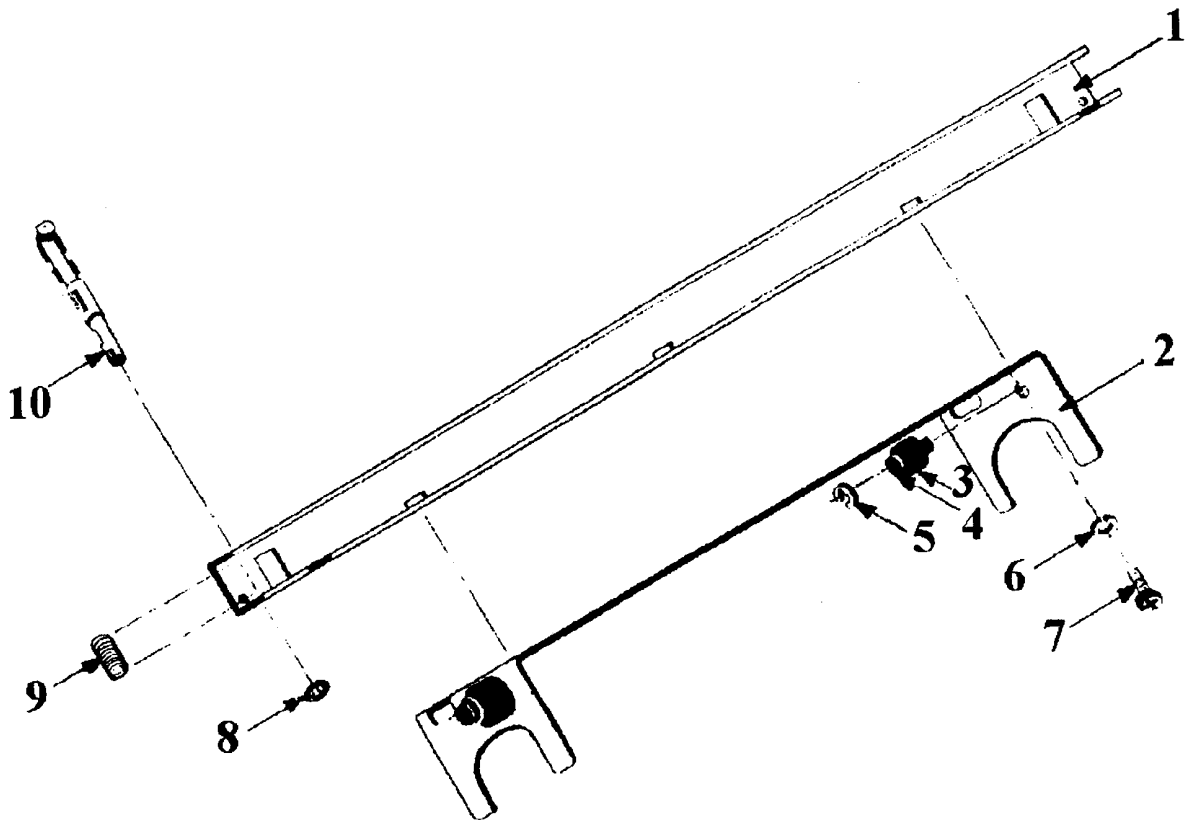


Figure 8-15

## 8.0 PARTS LISTS

**FIGURE 8-15 - COOLING FINGER/BRACKET PART NUMBER GUIDE**

ITEM #	PART NUMBER	DESCRIPTION	QTY
1	9776845	Cooling Finger Channel (VeloBind)	1
	9781593	Cooling Finger Channel (SureBind)	1
2	9780060	Cooling Bracket (VeloBind)	1
	9781594	Cooling Bracket (SureBind)	1
3	9779084	Roller	2
4	9779091	Rivet	2
5	9779077	C-Clip	2
6	9779910	#6 Lock Washer	2
7	9779172	6/32 X 3/8 Screw	2
8	9776950	Retaining Ring - VB/SB	14/12
9	9779272	Cooling Finger Spring - VB/SB	14/12
10	9778687	Cooling Finger - VB/SB	14/12

**8.0 PARTS LISTS**

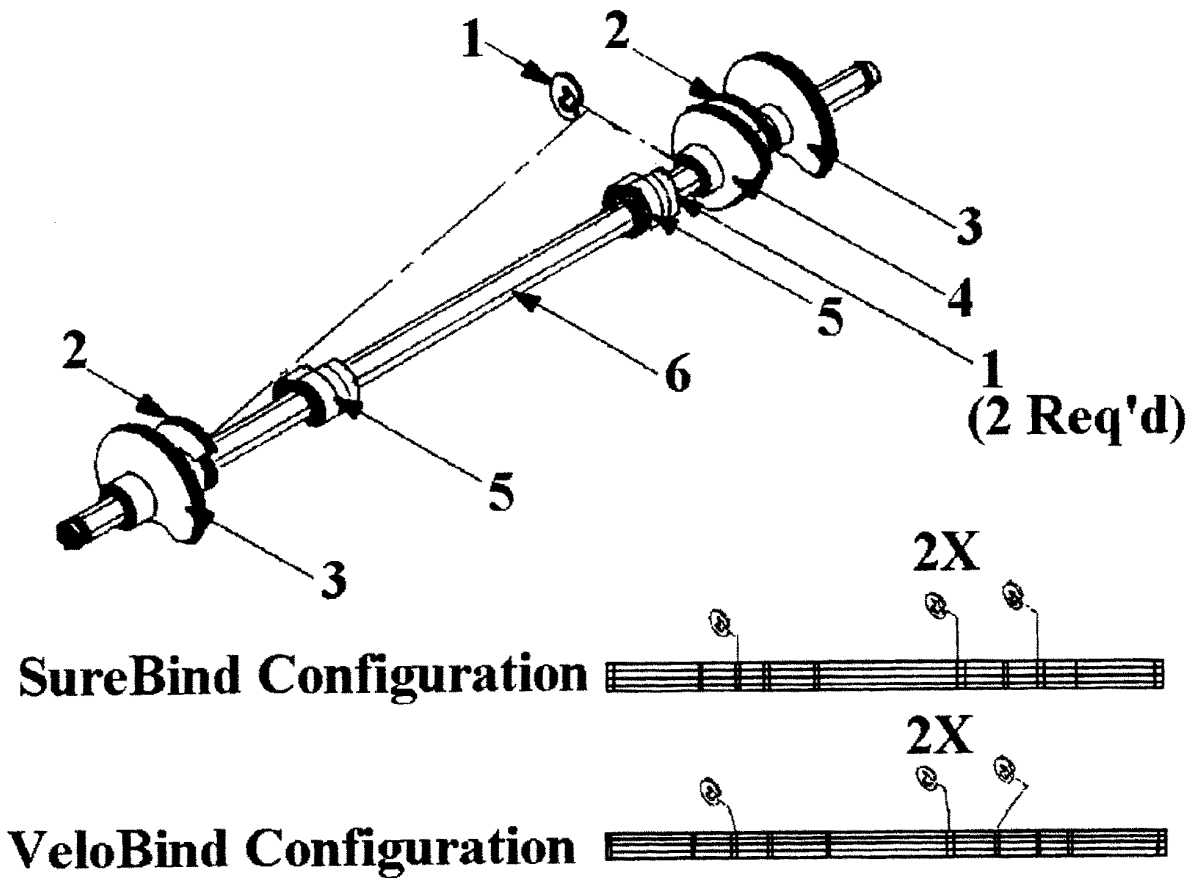


Figure 8-16



## 8.0 PARTS LISTS

**FIGURE 8-16 - CAM SHAFT ASSEMBLY PART NUMBER GUIDE**

<b>ITEM #</b>	<b>PART NUMBER</b>	<b>DESCRIPTION</b>	<b>QTY</b>
1	9779072	E-Ring	4
2	9776840	Cutter Cam - VeloBind	2
	9781757	Cutter Cam - SureBind	2
3	9776959	Pressure Cam	2
4	9776841	Extruder Cam	1
5	9779865	Cooling Cam	2
6	9779234	Cam Shaft	1

# 8.0 PARTS LISTS

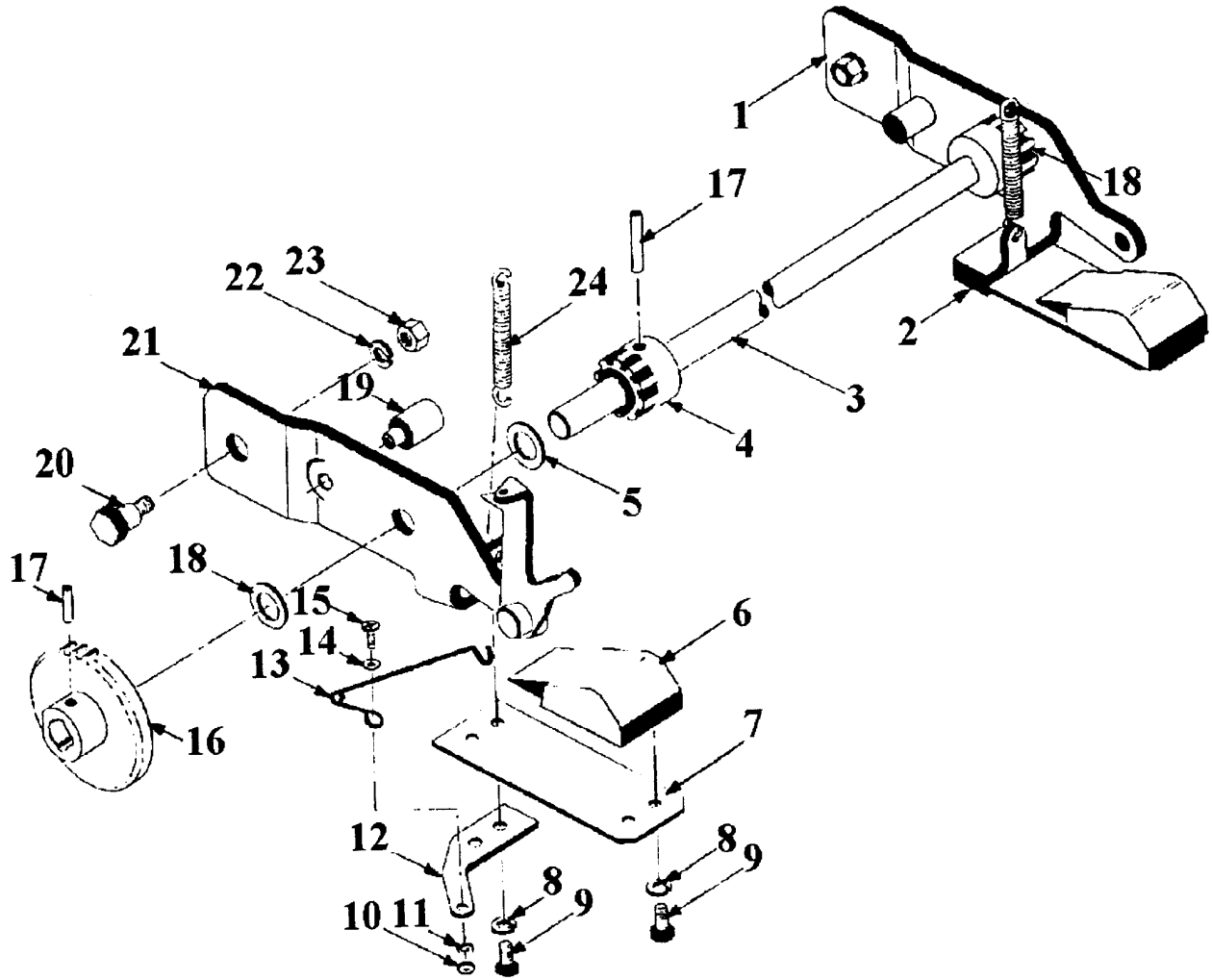


Figure 8-17

## 8.0 PARTS LISTS

**FIGURE 8-17 - PIVOT SPRINGS/TIMING SHAFT PART NUMBER GUIDE**

ITEM #	NEW PART NUMBER	DESCRIPTION	QTY
N/A	9778775	Left Pivot Spring Assembly	1
N/A	9778776	Right Pivot Spring Assembly	1
N/A		Timing Shaft Assembly	1
1	9778740	Right Pivot Plate	1
2	9779088	Retainer Plate	1
3	9779240	Timing Shaft	1
4	9778765	Pinion Gear	2
5	9779256	Spacer	2
6	9776847	Cam Follower	2
7	9779263	Flat Spring	2
8	9779910	#6 Lock Washer	8
9	9779219	6/32 X 3/8 Phillips Screw	8
10	9778587	4/40 Hex Nut	1
11	9779909	#4 Lock Washer	1
12	9779087	Retainer	1
13	9779280	Pawl Spring	1
14	9779896	#4 Flat Washer	1
15	9779118	4/40 X 3/8 Socket Screw	1
16	9779085	Ratchet	1
17	9778665	Roll Pin	3
18	9779255	Spacer	2
19	9779059	Guide Rivet	2
20	9779337	Shoulder Screw	2
21	9778741	Left Pivot Plate	1
22	9779913	1/4 Lock Washer	2
23	9778591	1/4-20 Hex Nut	2
24	9779274	Spring	2

# 8.0 PARTS LISTS

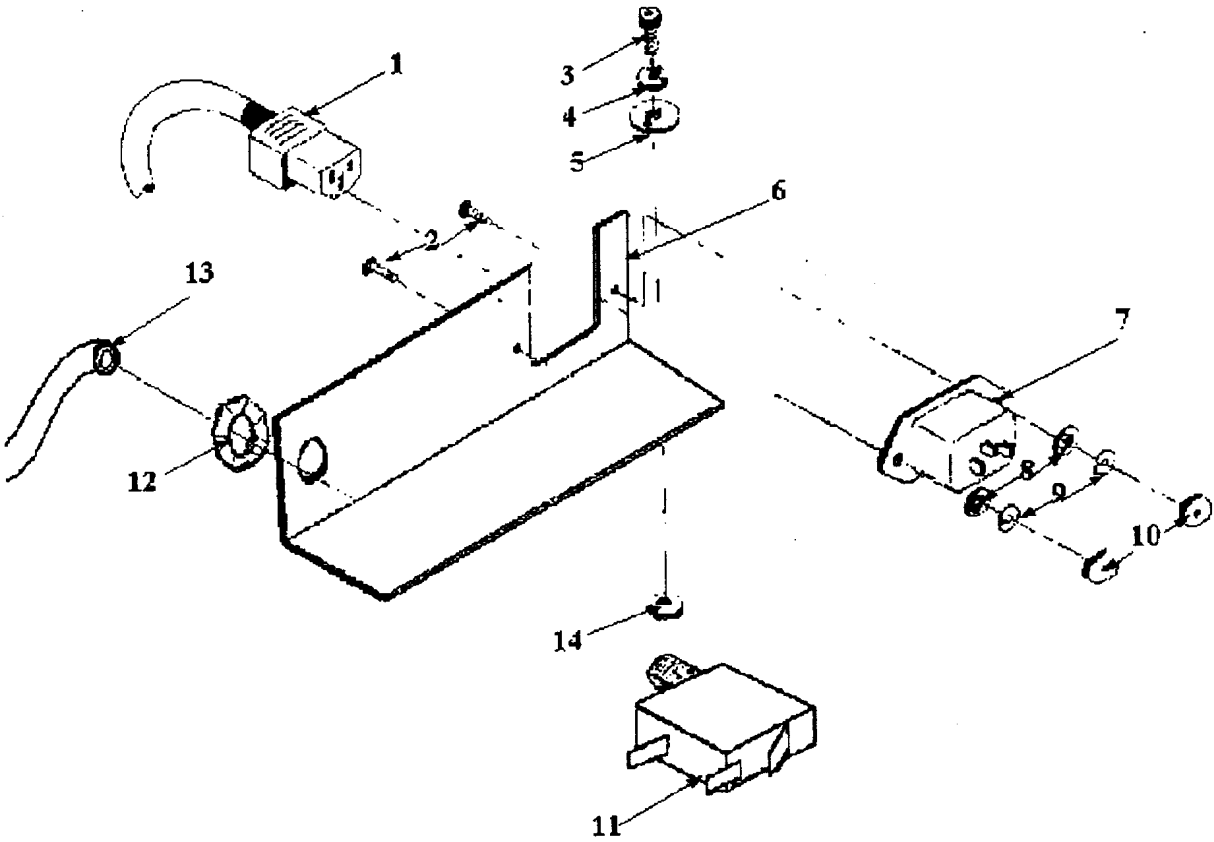


Figure 8-18

## 8.0 PARTS LISTS

**FIGURE 8-18 - INTERLOCK BRACKET ASSEMBLY PART NUMBER GUIDE**

ITEM #	NEW PART NUMBER	DESCRIPTION	QTY
1	9781344	115 Volt Power Cord	1
	9781345	240 Volt Power Cord	1
	9777387	Power Cord (France)	1
2	9779185	4/40 X 5/8 Phillips Screw	2
3	9779136	10/24 X 5/8 Socket Screw	2
4	9779912	#10 Lock Washer	2
5	9779899	#10 Flat Washer	2
6	9776733	Interlock Bracket	1
7	9781883	Receptacle	1
	9781860	Fuse, 5 Amp, 5 X 20 mm, 250V	1
	9781859	Fuse, 10 Amp, 5 X 20mm, 250V	1
8	9779896	#4 Flat Washer	2
9	9779909	#4 Lock Washer	2
10	9778587	4/40 Hex Nut	2
11	9781861	Foot Pedal Switch	1
12	N/A	Nut for Foot Pedal Switch	1
13	9781862	Foot Pedal	1
14	9778590	10/24 Hex Nut	2