



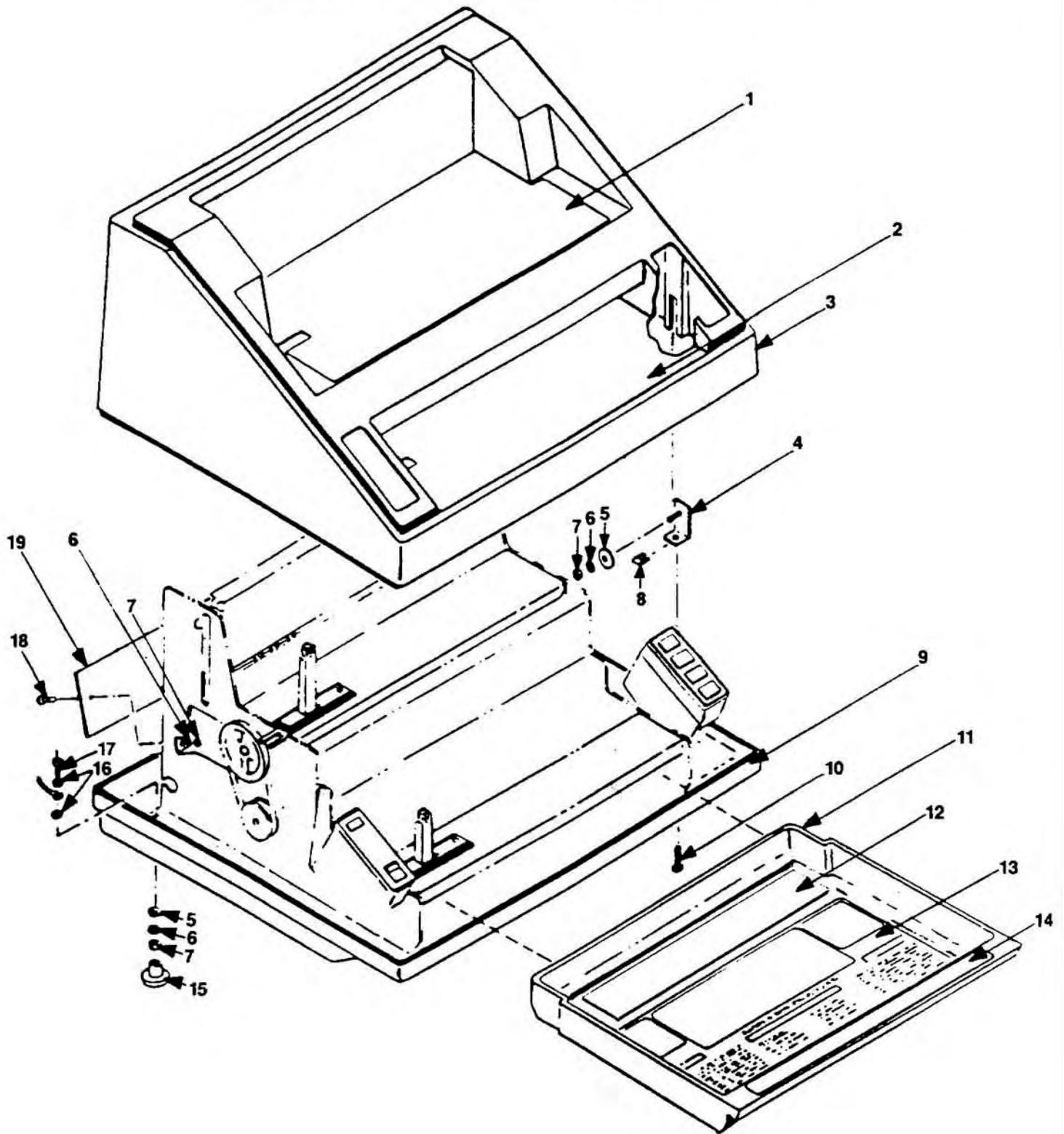
750A

Parts List



GBC IS AN ACCO BRANDS COMPANY

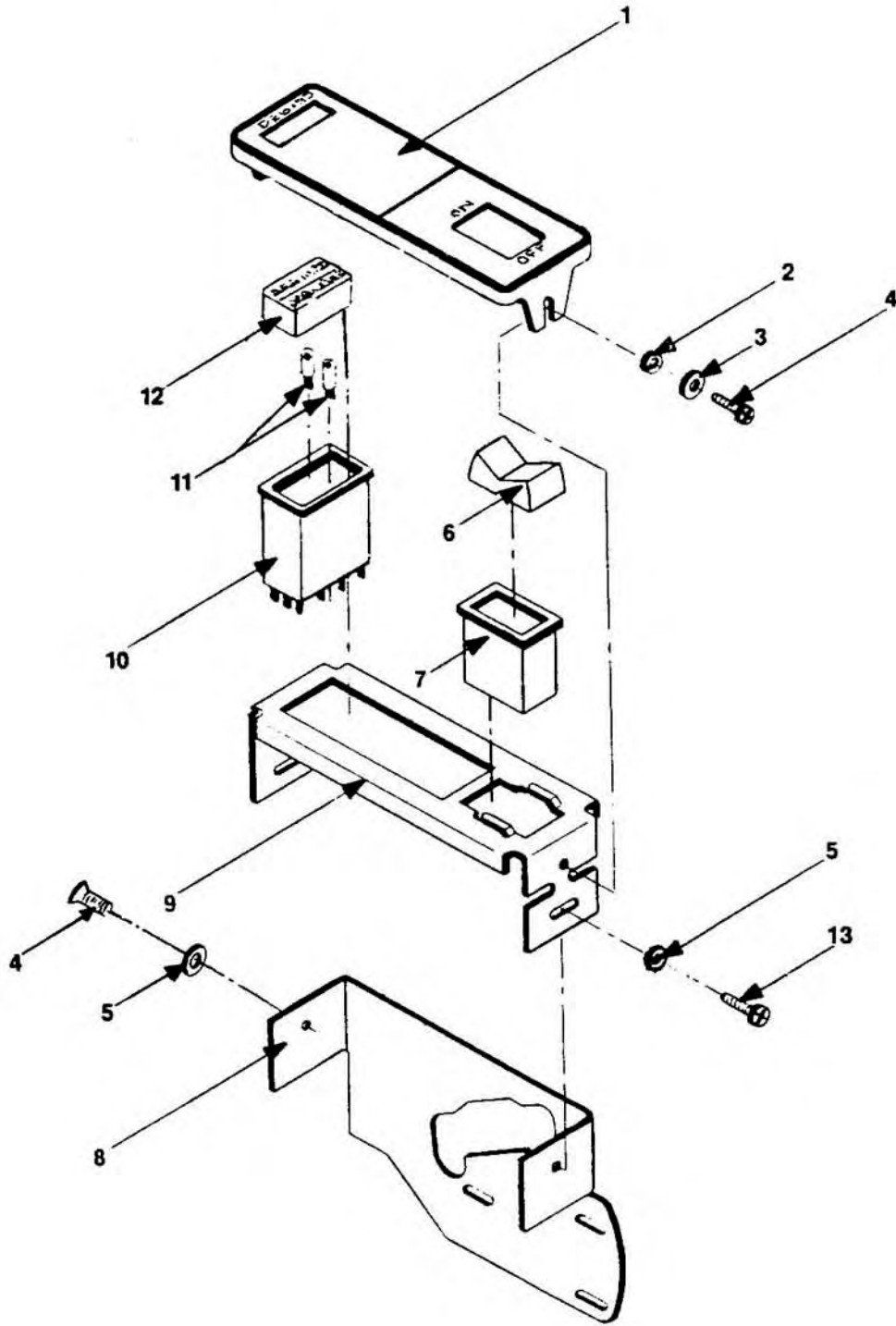
HOUSING TO BASE ASSEMBLY



HOUSING TO BASE ASSEMBLY PART NUMBER GUIDE

ITEM #	OLD PART NUMBER	NEW PART NUMBER	DESCRIPTION	QTY PER
N/A	30700500	9778385	Housing Assembly (Grey)	1
N/A	30700900	9778388	Housing Assembly (Lt. Grey) (Includes Items 1-8)	1
1	3807537-05	9778787	Blue Bind Platen	1
	3807537-06	9778788	Lt. Grey Bind Platen	1
2	3807538-05	9778794	Blue Punch Platen	1
	3807538-06	9778794	Lt. Grey Punch Platen	1
3	1602210-05	9776965	Housing (Grey)	1
	1602210-06	9776966	Housing (Lt. Grey)	1
4	1206163	9776720	Housing Mounting Bracket	4
5	5100302-01	9779928	#10 Flat Washer	8
6	5100067-01	9779912	#10 Lock Washer	10
7	3501025-01	9778590	#10 Hex Nut	10
8	3502719	9778610	#10 Tinnerman Nut	4
9	2400869-06	9778223	Base (Grey)	1
	2400869-07	9778224	Base (Lt. Grey)	1
10	4301563-16	9779206	10/16 X 1-1/4" Phillips Screw	1
11	4507551-05	9779439	Debris Tray (Grey)	1
	4507551-06	9779440	Debris Tray (Lt. Grey)	1
12	4330128	9779365	Foam Tray Strip	1
13	10202700	9776414	Operating Instructions	1
	10205300	9776428	Operating Instructions	1
	10205400	9776429	Operating Instructions (Sp)	1
	10205500	9776430	Operating Instructions (Fr)	1
	10205600	9776431	Operating Instructions (Ger)	1
14	N/A	N/A	Sales Decal	1
15	2001314	9778089	Rubber Foot	4
16	5100227-01	9779923	Star Washer	2
17	4300886-15	9779179	10/24 X 1-1/8 Screw	4
18	4300886-09	9779178	10/24 X 1/2 Phillips Screw	2
19	3803806-01	9778696	P.C. Board (115 Volt)	1
	3803806-02	9778697	P.C. Board (230 Volt)	1

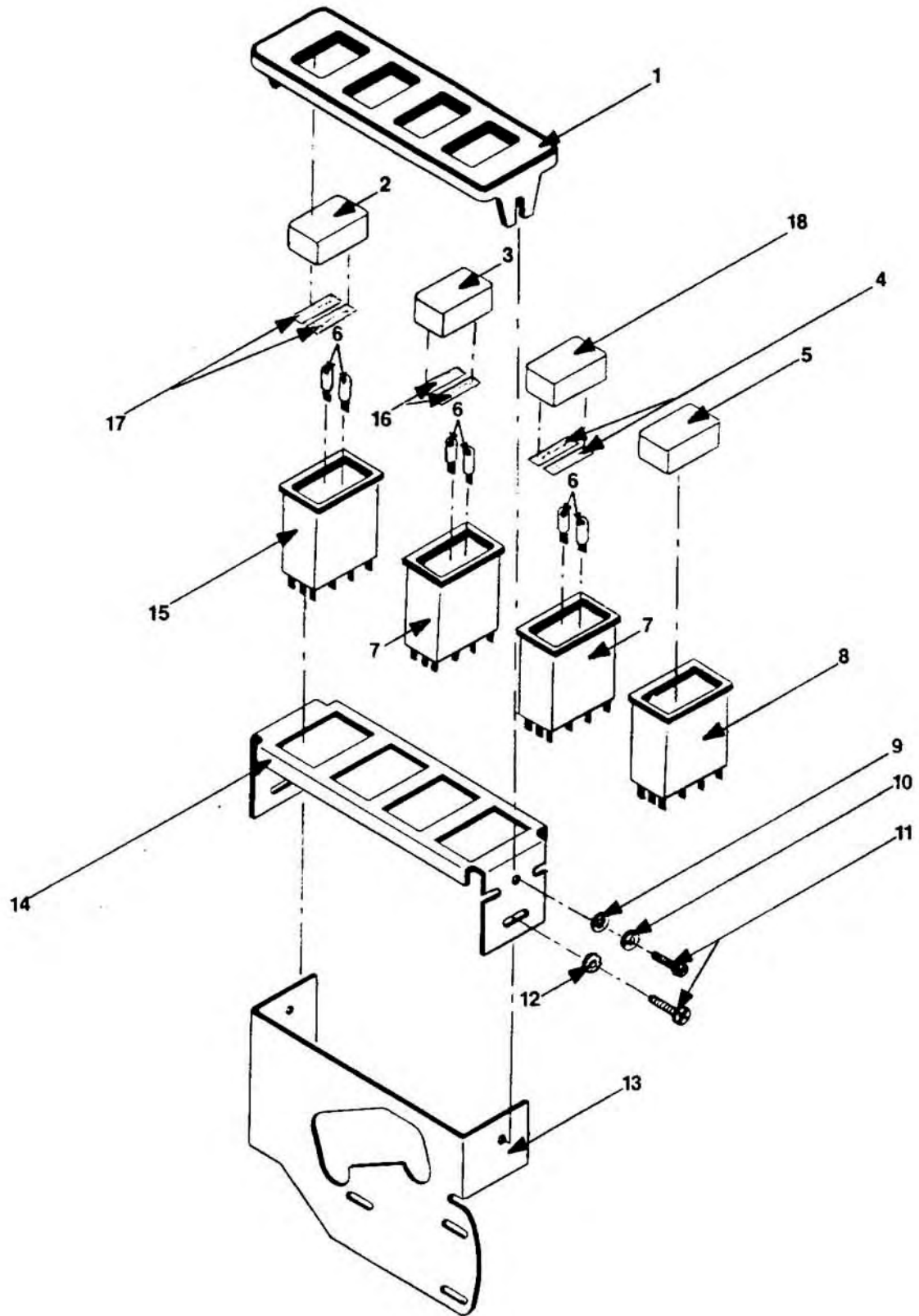
POWER SWITCH PANEL DIAGRAM



POWER SWITCH PANEL PART NUMBER GUIDE

ITEM #	OLD PART NUMBER	NEW PART NUMBER	DESCRIPTION	QTY PER
1	30800300	9778397	Power Switch Panel (Grey)	1
	30800700	9778400	Power Switch Panel (Lt. Grey)	1
2	5100005-01	9779897	#6 Flat Washer	3
3	5100065-01	9779910	#6 Lock Washer	3
4	4301762-07	9779219	6/32 X 3/8 Self-tap Screw	4
5	5100245-01	9779925	#6 Star Washer	2
6	1602682-01	9777357	On/Off Switch Cap	1
7	4325044	9779320	Power On/Off Switch	1
8	1206156-02	9776710	Adjustable Switch Support	1
9	1206157	9776711	Power Switch Mounting Bracket	1
10	52300390	9780085	Debind Switch	1
11	3100012	9778420	Lamp	2
12	11400190	9776568	Debind Switch Mode Cap	1
13	4301762-05	9779218	6/32 X 1/4 Self-tap Screw	1

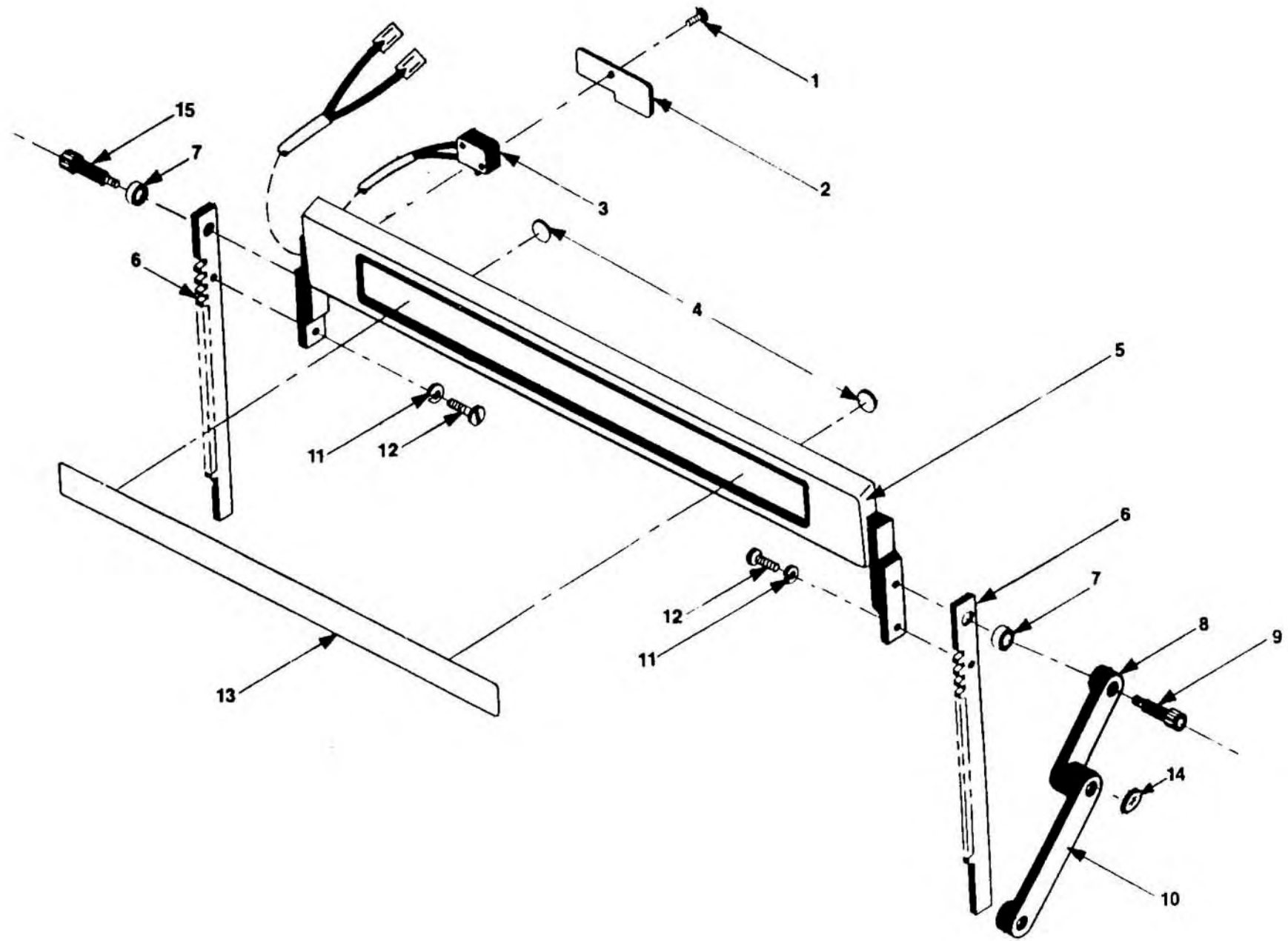
MODE SWITCH PANEL ASSEMBLY



MODE SWITCH PANEL ASSEMBLY PART NUMBER GUIDE

ITEM #	OLD PART NUMBER	NEW PART NUMBER	DESCRIPTION	QTY PER
1	30800400	9778398	Mode Switch Panel (Grey)	1
	30800600	9778399	Mode Switch Panel (Lt. Grey)	1
2	3100382	9778462	Indicator Switch Cap	1
3	1407728	9776850	Mode Select Switch Cap	1
4	3100385	9778465	Auto/Manual Punch Lens	1
5	1407723	9776848	Manual Punch Switch	1
6	3100012	9778420	Lamp (14 VDC)	6
7	4325045	9779321	Mode Switch	2
8	4325046	9779322	Manual Punch Switch	1
9	5100005-01	9779897	#6 Flat Washer	2
10	5100065-01	9779910	#6 Lock Washer	2
11	4301762-07	9779219	6/32 X 3/8 Self-tap Screw	4
12	5100245-01	9779925	#6 Star Washer	2
13	1206156-01	9776709	Adjustable Switch Support	1
14	1206158	9776712	Mode Switch Mounting Bracket	1
15	52300495	9780091	Reset/Indicator Switch	1
16	3100384	9778464	Fast/Standard Lens	1
17	3100383	9778463	Ready/Wait Lens	1
18	11400190	9776568	Mode Push Button Cap	1

PRESSURE BAR ASSEMBLY

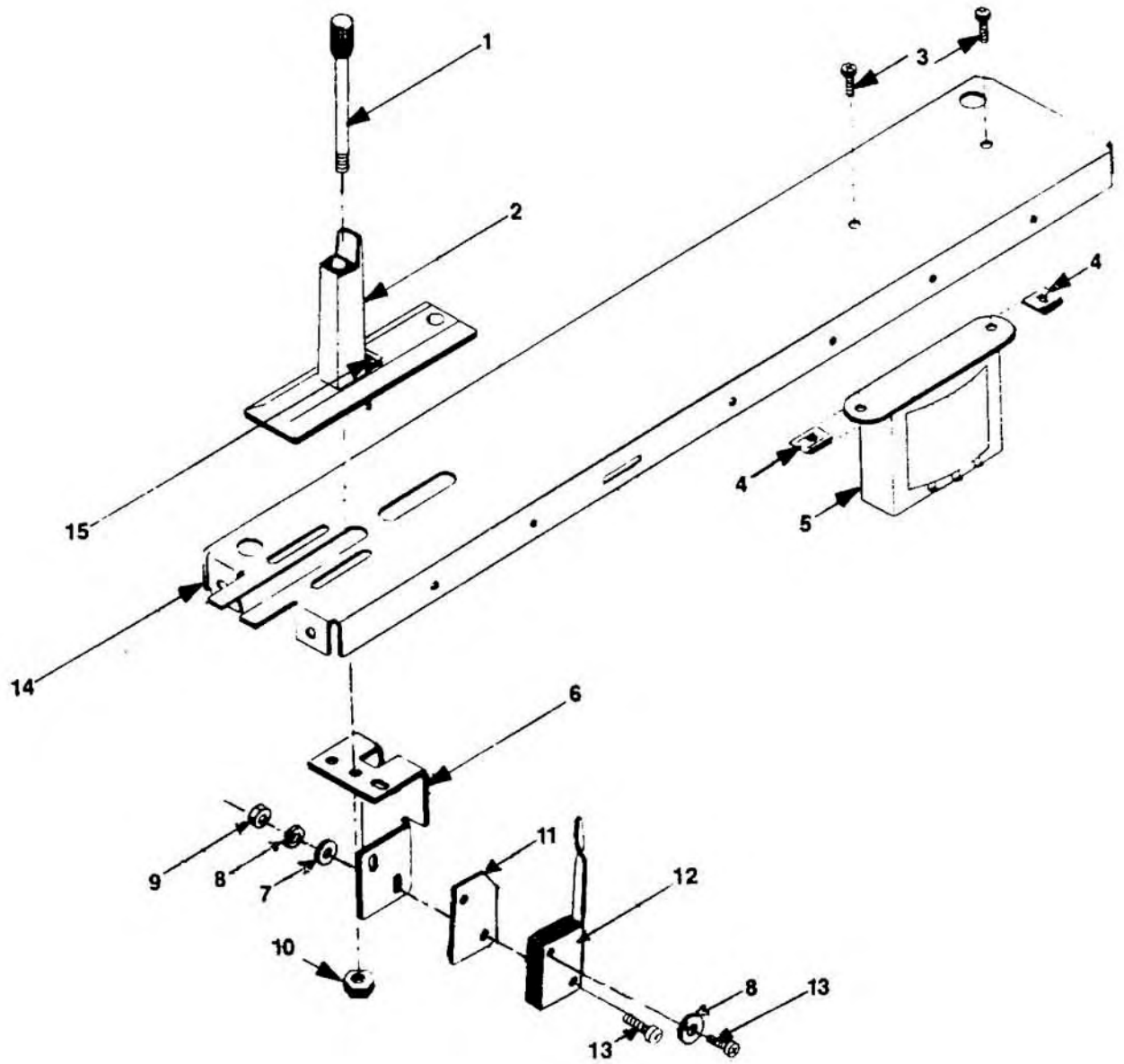


PRESSURE BAR ASSEMBLY PART NUMBER GUIDE

ITEM #	OLD PART NUMBER	NEW PART NUMBER	DESCRIPTION	QTY PER
N/A	51800500	9780037	Pressure Bar Assembly (Blue)	1
N/A	51800700	9780039	Pressure Bar Assembly (Grey)	1
1	4301770-04	9779263	2/56 X 3/16 Phillips Screw	1
2	1206182-03	9776734	Switch Plate	1
3	52300493	9780089	Pressure Bar Switch Assembly	1
4	3807526	9778772	Felt Pad	2
5	51800904	9780043	Blue Pressure Bar	1
	51800905	9780044	Dark Grey Pressure Bar	1
6	4100007	9779044	Pressure Bar Rack	2
7*	1205317	9776620	Bushing	2
8*	3100378	9778460	Pressure Bar Return Link	1
9*	4300493-11	9779155	Shoulder Screw	2
10*	1000533	9776380	Pressure Bar Return Arm	1
11	5100067-01	9779912	#10 Lock Washer	2
12	4300886-09	9779178	10/24 X 1/2 Phillips Screw	1
13	10202800	9776415	Pressure Bar Logo (Domestic)	1
	10204400	9776423	Pressure Bar Logo (Int'l)	1
14*	3502715	9778609	Speed Nut	1
15*	4300493-07	9779154	Shoulder Screw	1

*NOTE: ITEMS 7, 8, 9, 10, 14 & 15 ARE NOT PART OF PRESSURE BAR ASSEMBLY.

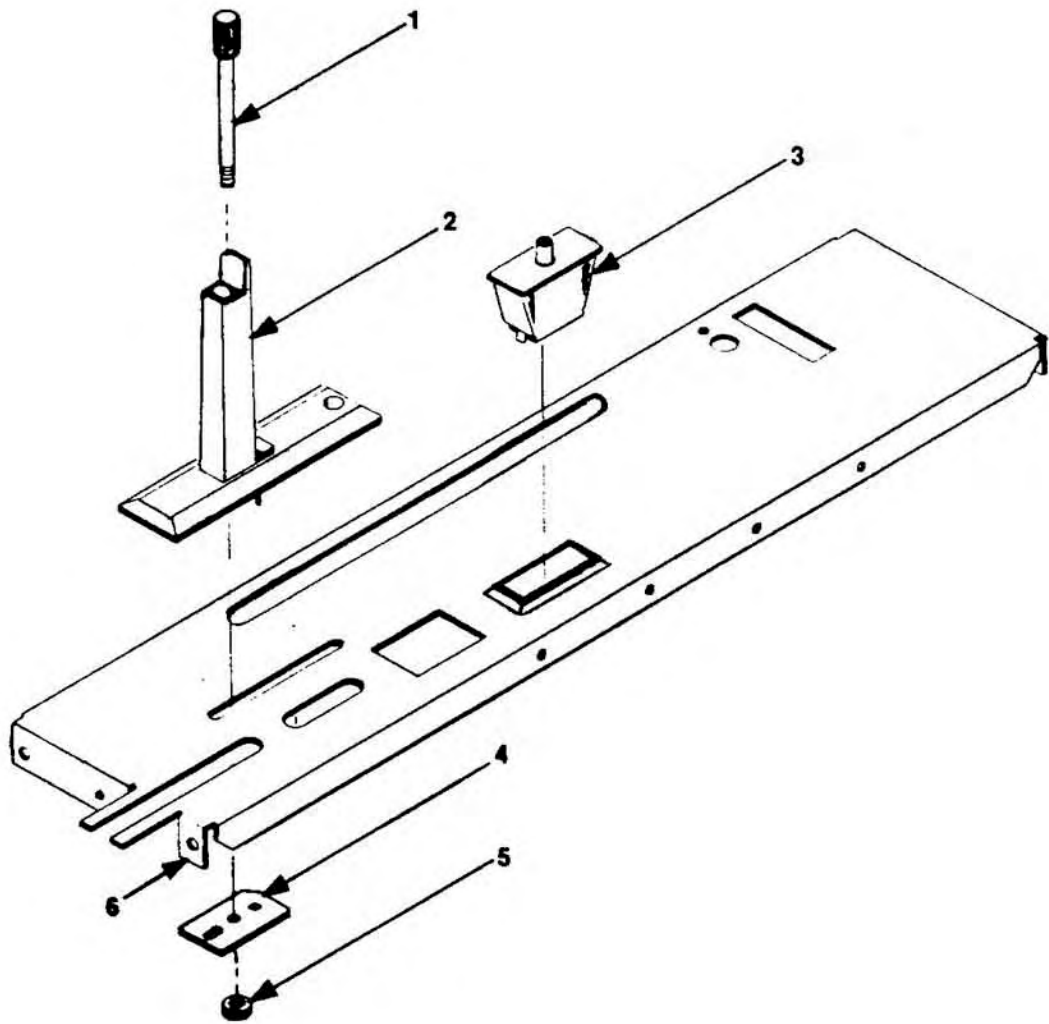
PUNCH GUIDE ASSEMBLY



PUNCH GUIDE ASSEMBLY PART NUMBER GUIDE

ITEM #	OLD PART NUMBER	NEW PART NUMBER	DESCRIPTION	QTY PER
N/A	30900600	9778402	Punch Guide Assembly (Blue)	1
N/A	30901300	9778409	Punch Guide Assembly (Grey)	1
1	2901024	9778318	Punch Guide Knob	1
2	30900700	9778403	Blue Punch Edge Guide	1
	30901400	9778410	Grey Punch Edge Guide	1
3	4300884-07	9779172	6/32 X 3/8 Phillips Screw	2
4	3502720	9778611	6/32 Speed Nut	2
5	4504261	9779405	115 Volt Transformer	1
	4504263-01	9779408	240 Volt Transformer	1
6	1206169	9776724	Switch Mounting Bracket	1
7	5100004-01	9779896	#4 Flat Washer	2
8	5100064-01	9779909	#4 Lock Washer	3
9	3501022-01	9778587	4/40 Hex Nut	2
10	3501187	9778592	10/32 Lock Nut	1
11	2600800	9778285	Insulator	1
12	4325057	9779325	Auto Punch Switch	1
13	4300883-12	9779170	4/40 X 3/4 Phillips Screw	2
14	4322540	9779299	Punch Guide Support	1
15	1602077	9776897	Punch Edge Guide Decal (Dom)	1
	10208709	9776451	Punch Edge Guide Decal (Int)	1

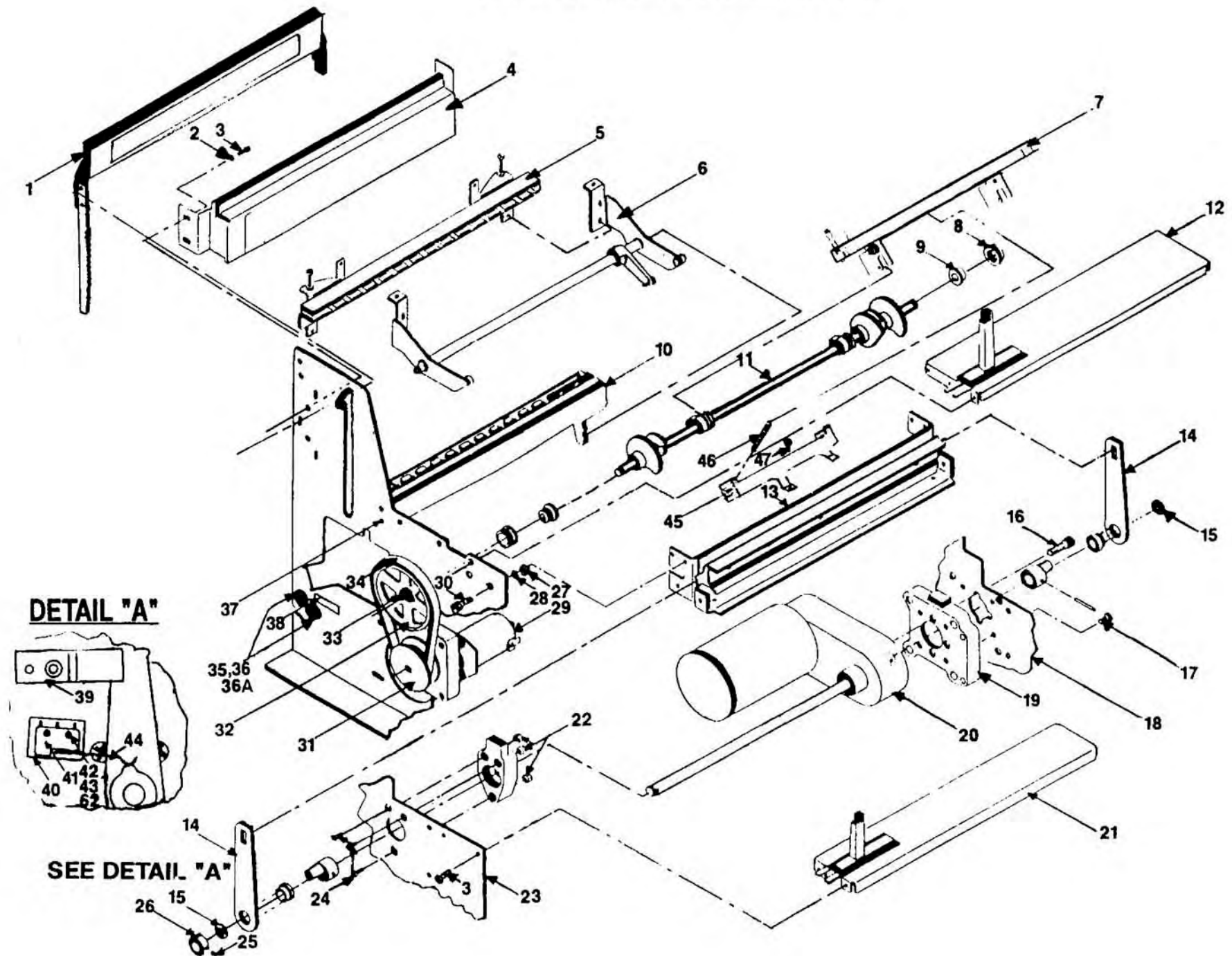
BIND GUIDE ASSEMBLY



BIND GUIDE ASSEMBLY PANEL GUIDE

ITEM #	OLD PART NUMBER	NEW PART NUMBER	DESCRIPTION	<u>QTY</u> PER
N/A	30900500	9778401	Bind Guide Assembly (Blue)	1
N/A	30901100	9778407	Bind Guide Assembly (Grey)	1
1	2901023	9778317	Bind Guide Knob	1
2	30900800	9778404	Bind Edge Guide (Blue)	1
	30901200	9778408	Bind Edge Guide (Grey)	1
3	4325016	9779309	Interlock Switch	1
4	3806098	9778756	Retainer Plate	1
5	3501187	9778592	10/32 Lock Nut	1
6	4330126	9779363	Bind Guide Support	1

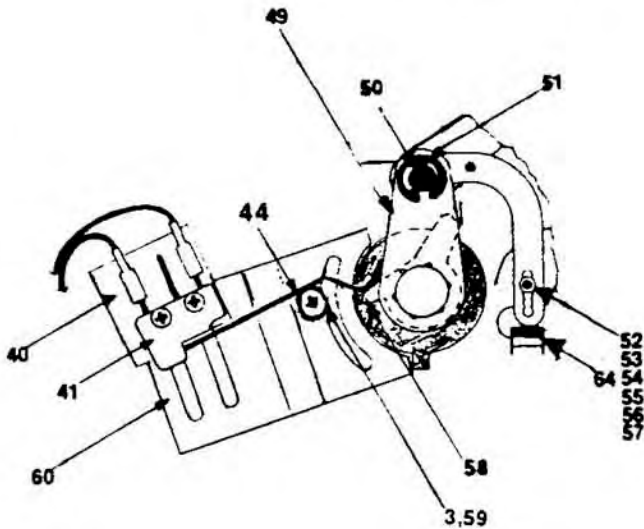
CHASSIS ASSEMBLY



CHASSIS ASSEMBLY

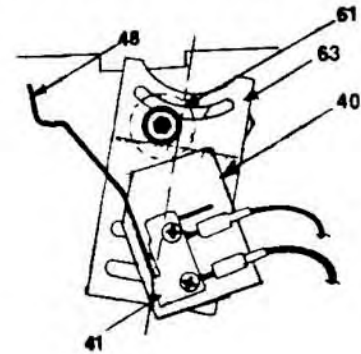
(RIGHT SIDE PLATE TIMING SWITCHES PARTS)

OUTSIDE OF RIGHT SIDE PLATE



BIND TIMING SWITCH (S13)

INSIDE OF RIGHT SIDE PLATE

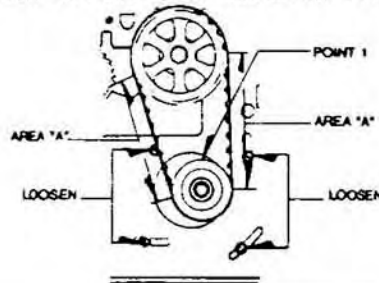


CAM/SOLENOID SWITCH (S22)

IF YOU ENCOUNTER MACHINES WITH BURNED OUT BIND MOTORS, IT IS POSSIBLE THAT THE TIMING BELT MAY HAVE BEEN TOO TIGHT.

FOLLOW THE PROCEDURE BELOW FOR PROPER ADJUSTMENT:

1. LOOSEN THE 4 SCREWS INDICATED.
2. ROTATE MOTOR IN A COUNTERCLOCKWISE DIRECTION TO REMOVE TENSION FROM TIMING BELT (P/N 1203401).
3. APPLY A LIGHT FORCE AT "POINT 1" WITH THUMB.
4. TIMING BELT SHOULD BE IN A STRAIGHT LINE BETWEEN TIMING PULLEY (P/N 3804819) AND MOTOR PULLEY (P/N 3804818-01).
5. HOLD MOTOR IN PLACE WITH THUMB AND TIGHTEN THE 4 SCREWS.



CHASSIS ASSY.PART NUMBER GUIDE

ITEM #	OLD PART NUMBER	NEW PART NUMBER	DESCRIPTION	QTY PER
1	51800500	9780037	Pressure Bar Assembly (Blue)	1
	51800700	9780039	Pressure Bar Assembly (Grey)	1
2	5100005-01	9779897	#6 Flat Washer	4
3	4301762-07	9779219	6/32 X 3/8 Phillips Screw	14
4	1602140-04	9776933	Backstop (Grey)	1
	1602140-05	9776934	Backstop (Lt. Grey)	1
5	2901022-01	9778313	Knife Assembly (120 V.)	1
	2901022-02	9778314	Knife Assembly (240 V.)	1
6	* No Part No.		Ecc. Shaft/Cutter Arm Assy	1
7	* No Part No.		Cooling Finger/Bracket Assy	1
8	1200211	9776611	Bearing	2
9	4310028	9779236	Cam Shaft Journal	2
10	50800300	9779887	Bridge Assembly	1
11	50100600	9779866	Cam Shaft Assembly	1
12	30900500	9778401	Bind Guide Assembly (Blue)	1
	30901100	9778407	Bind Guide Assembly (Grey)	1
13	52100200	9780057	Punch Assembly (115 V.)	1
	52100300	9780065	Punch Assembly (240 V.)	1
14	3100380-01	9778461	Punch Link	2
15	1602941-01	9777570	Retaining Clip	2
16	4301368-01	9779205	5/16 X 3/4 Socket Screw	3
17	4301367-01	9779204	10/24 X 1/2 Flat Hd Screw	4
18	52201100	9780074	Right Side Plate Assembly	1
19	1000541	9776389	Punch Motor Adaptor	1
20	3301537-01	9778567	115 Volt Motor Assembly	1
	3301537-02	9778568	240 Volt Motor Assembly	1
21	30900600	9778402	Punch Guide Assembly (Blue)	1
	30901300	9778409	Punch Guide Assembly (Grey)	1
22	3501205-01	9778597	Lock Nut	3
23	52201000	9780073	Left Side Plate Assembly	1
24	4300986-12	9779187	10/24 X 3/4 Phillips Screw	3
25	4301121-02	9779192	6/32 X 1/8 Socket Set Screw	1
26	1407731	9776851	Punch Switch Cam	1
27	3501026-01	9778591	1/4-20 Hex Nut	6
28	5100068-01	9779913	1/4 Lock Washer	6
29	3301534	9778565	Bind Motor	1
30	4300026-13	9779141	1/4-20 X 7/8 Socket Screw	6
31	3804818-01	9778704	Bind Motor Pulley	1
32	3804819	9778705	Drive Pulley	1
33	4107001-22	9779072	E-Ring	1
34	1203401	9776613	Timing Belt	1
35	2001000	9778084	Fuse Holder	2
36	2000804	9778083	10 Amp Fuse	1
	2000803	9778082	5 Amp Fuse	1
36A	52701090	9780118	1 Amp Slo-Blo Fuse	1

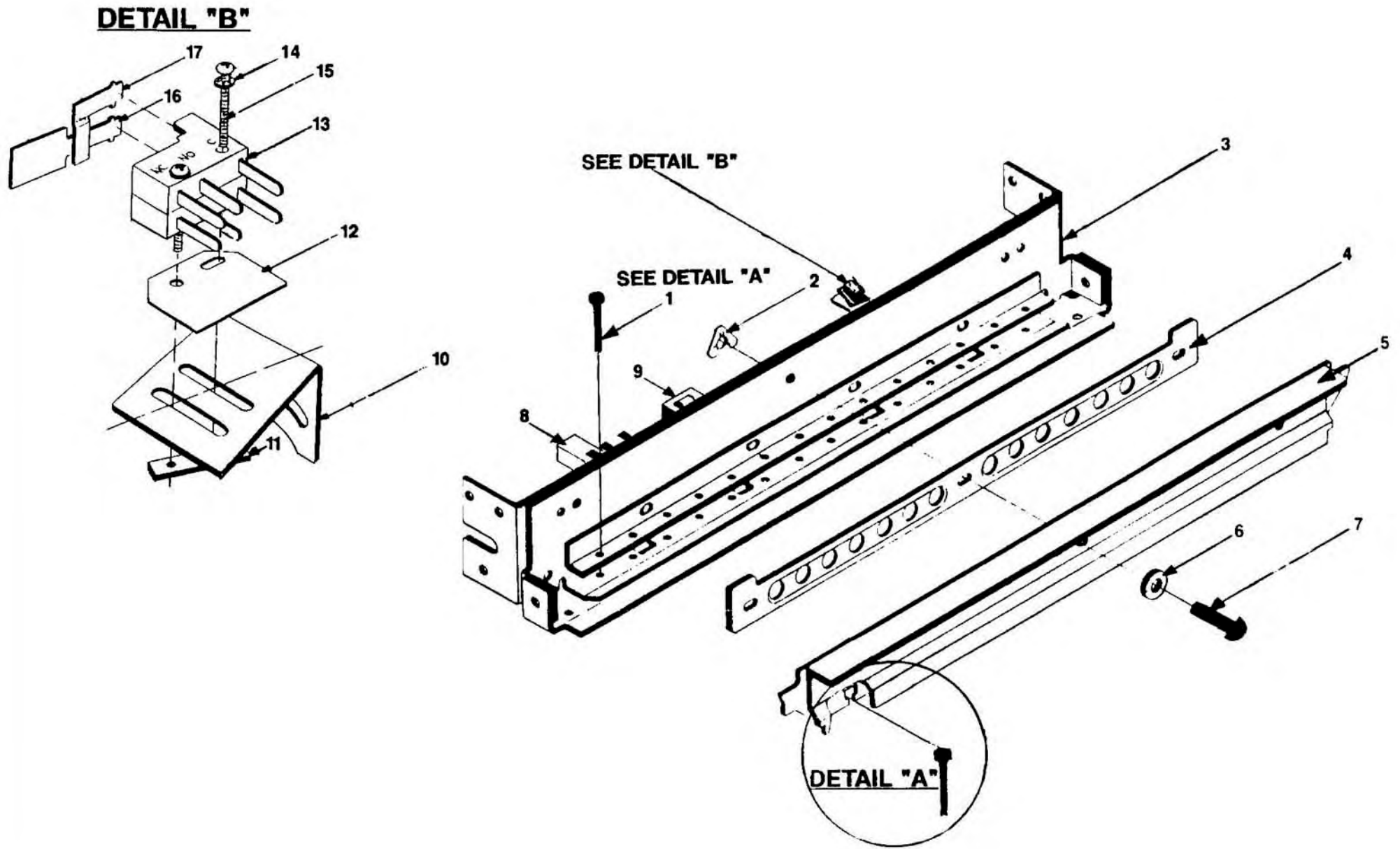
CHASSIS ASSY.PART NUMBER GUIDE (CONT..)

ITEM #	OLD PART NUMBER	NEW PART NUMBER	DESCRIPTION	QTY PER
37	4300886-09	9779178	10/24 X 1/2 Phillips Screw	2
38	10208700	9776446	10/1 Amp Fuse Warning Decal	1
	10208703	9776448	5/1 Amp Fuse Warning Decal	1
39	1206174	9776726	Punch Link Retainer Bracket	1
40	2600808	9778287	Insulator	3
41	4325017-01	9779311	Switch	3
42	4300881-10	9779168	2/56 X 9/16 Phillips Screw	6
43	5100222-01	9779920	Internal Tooth Lock Washer	6
44	1000007-02	9776354	Switch Actuator (Punch)	2
45	50900300	9779891	Fixed Switch Actuator	1
46	11900690	9776605	Extension Spring	1
47	11601290	9776588	Cotter Pin	1
48	1000007-01	9776353	Switch Actuator (Bind)	1
49	3100387-01	9778467	Brass Link	1
50	4106011	9779060	Trunnion*	1

*NOTE: If trunnion loosens up, replace with P/N 0700109-01 (9776337) (kit).

51	4107001-17	9779069	E-Ring	1
52	4300883-12	9779170	4/40 X 3/4 Phillips Screw	1
53	4109060	9779090	Drive Arm Roller	1
54	5100004-01	9779896	#4 Flat Washer	1
55	5100064-01	9779909	#4 Lock Washer	1
56	3501022-01	9778587	4/40 Hex Nut	1
57	1000548-03	9776394	Drive Arm	1
58	2200510-03	9778116	Drive Gear	1
59	5100245-01	9779925	#6 Star Washer	3
60	1602200-01	9776958	Switch Mounting Bracket	1
61	10900300	9776478	Spacer	1
62	3502914-01	9778618	Nut Plate	3
63	52000700	9780061	Switch Mounting Bracket	1
64	36100010	9778639	Rubber Drive Arm Cushion	1

PUNCH ASSEMBLY

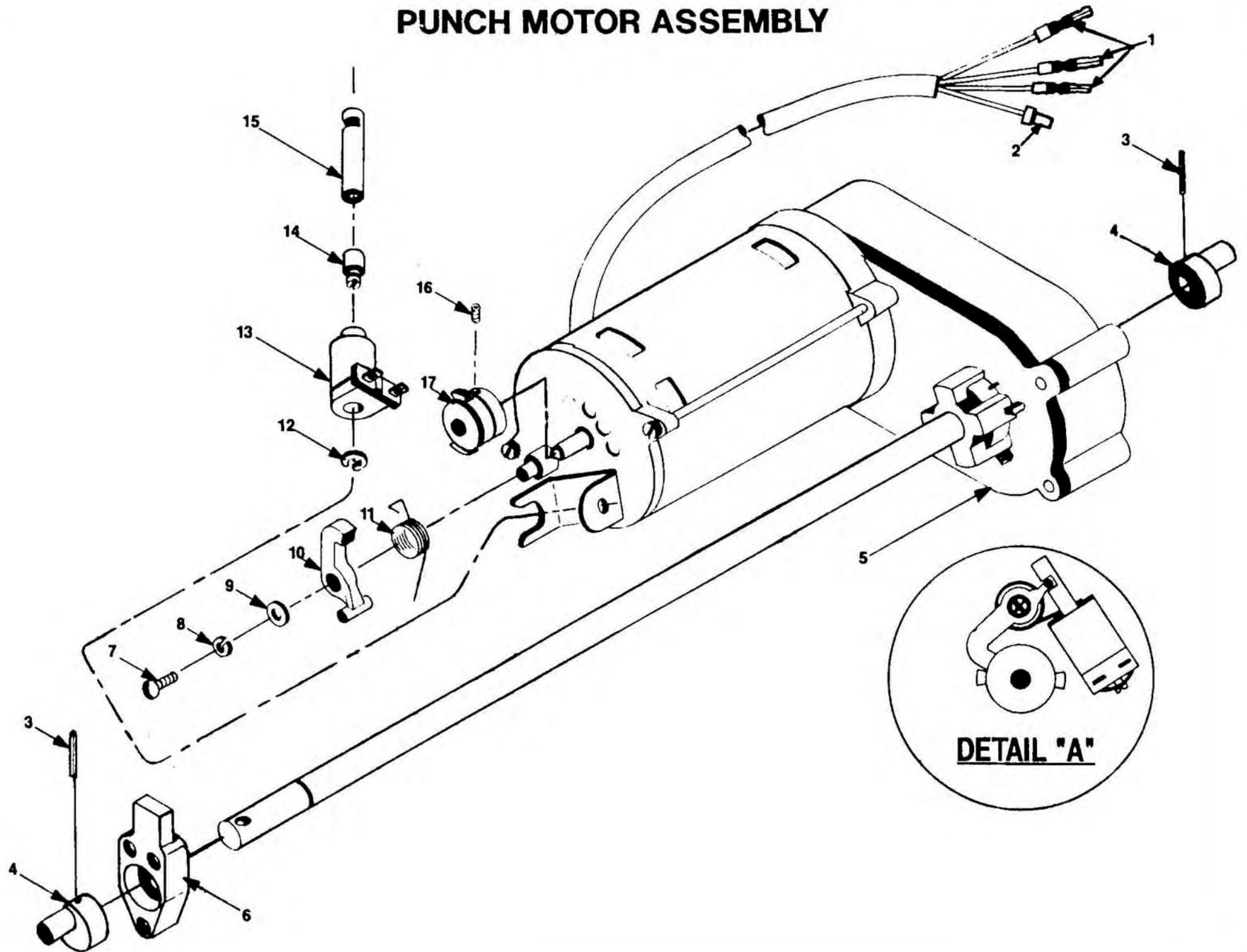


PUNCH ASSY.PART NUMBER GUIDE

ITEM #	OLD PART NUMBER	NEW PART NUMBER	DESCRIPTION	QTY PER
N/A	52100200	9780064	Punch Assembly (115 Volt)	1
N/A	52100300	9780065	Punch Assembly (240 Volt)	1
1	3801743	9778684	Punch Pin	14
2	4107007-01	9779078	Retaining Clip	3
3	36100009	9778638	Punch Housing	1
4	4313524	9779250	Punch Spacer	1
5	1000021	9776364	Punch Actuator	1
6	5101411	9779933	Plastic Washer	3
7	4106017-01	9779063	Retaining Pin	3
8	4102709	9779053	T.D.R. Board (115 V.)	1
	4102710	9779054	T.D.R. Board (240 V.)	1
9	52700190	9780113	115 Volt Solenoid	1
	52700290	9780114	240 Volt Solenoid	1
10	52000500	9780059	90 Degree Switch Bracket	1
11	3502914-01	9778618	Nut Plate	1
12	2600808	9778287	Insulator	1
13	4325017-01	9779311	Switch	2
14	5100222-01	9779920	Internal Tooth Lock Washer	2
15	4300713-12	9779163	2/56 X 3/4 Phillips Screw	2
16	1000013	9776357	Switch Actuator	1
17	50900200	9779890	Flat Switch Actuator	1

NOTE: "DETAIL A" SHOWS PIN TO ACTUATOR ASSEMBLY.

PUNCH MOTOR ASSEMBLY

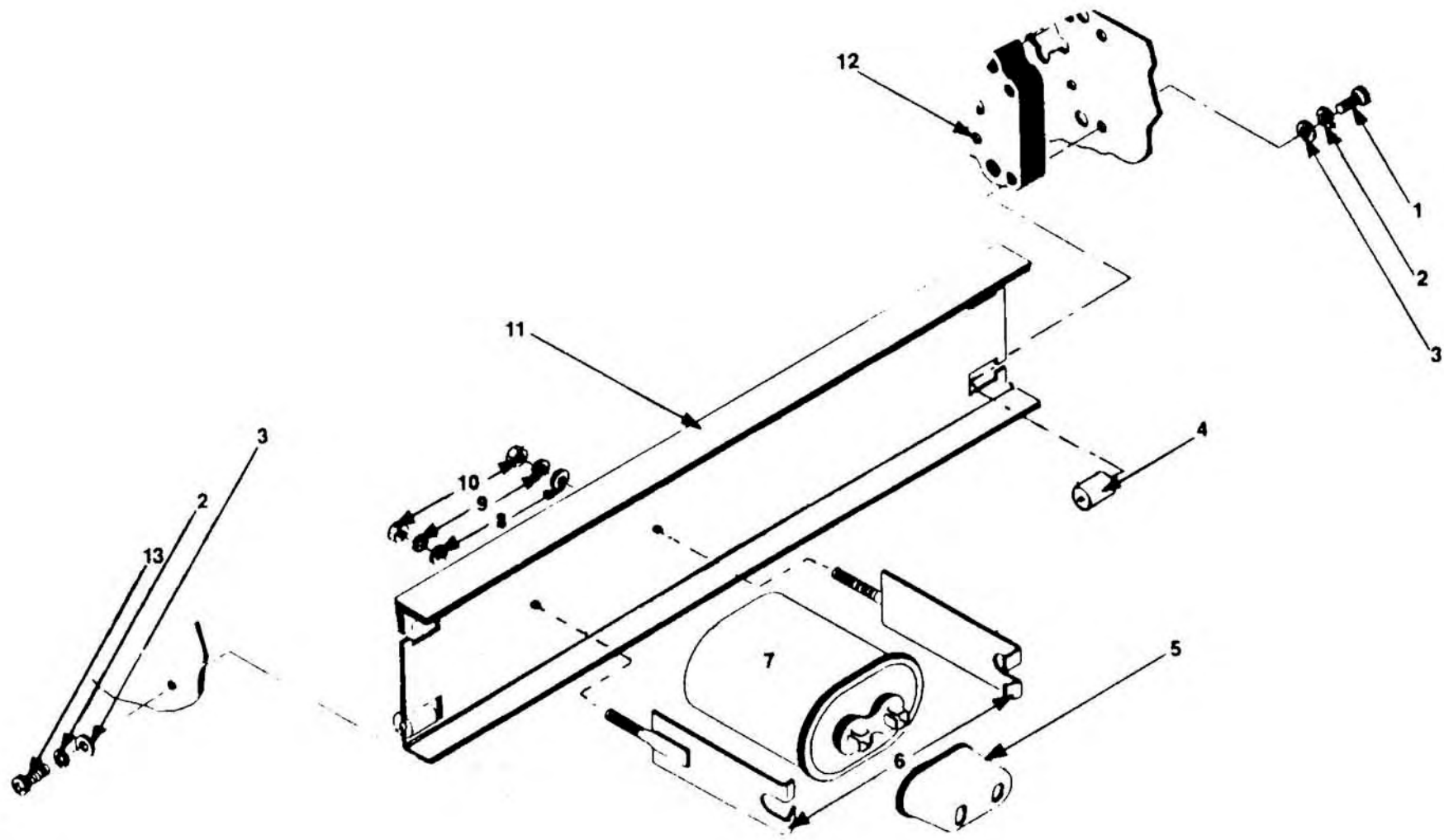


PUNCH MOTOR ASSEMBLY PART NUMBER GUIDE

ITEM #	OLD PART NUMBER	NEW PART NUMBER	DESCRIPTION	QTY PER
N/A	3301537-01	9778567	Punch Motor Assembly (115 V)	1
N/A	3301537-02	9778568	Punch Motor Assembly (240 V)	1
1	4502523-02	9779383	Bullet Terminal Lug	3
2	1405700	9776789	Cap Splice Connector	1
3	3801225-14	9778669	Roll Pin	2
4	1407714	9776842	Punch Drive Crank	2
5	3301535	9778566	Punch Gearmotor (115 V)	1
	1602560-01	9777213	Punch Gearmotor (240 V)	1
6	1200210	9776610	Punch Shaft Bearing	1
7	0700014-55	9776313	6/32 X 1/4 Screw	1
8	0700014-54	9776312	#6 Lock Washer	1
9	0700014-53	9776311	#6 Flat Washer	1
10	0700014-52	9776310	Lever Arm	1
11	0700014-51	9776309	Spring	1
12/13/14	0700015-01	9776316	115 Vac Solenoid Kit	1
	0700015-02	9776317	240 Vac Solenoid Kit	1
15	0700015-52	9776320	Plunger	1
16	0700014-56	9776314	Hub Set Screw	1
17	0700014-50	9776308	Brake Hub	1

NOTE: "DETAIL A" SHOWS PUNCH MOTOR BRAKE COMPONENTS ASSEMBLED.

SUPPORT ASSEMBLY

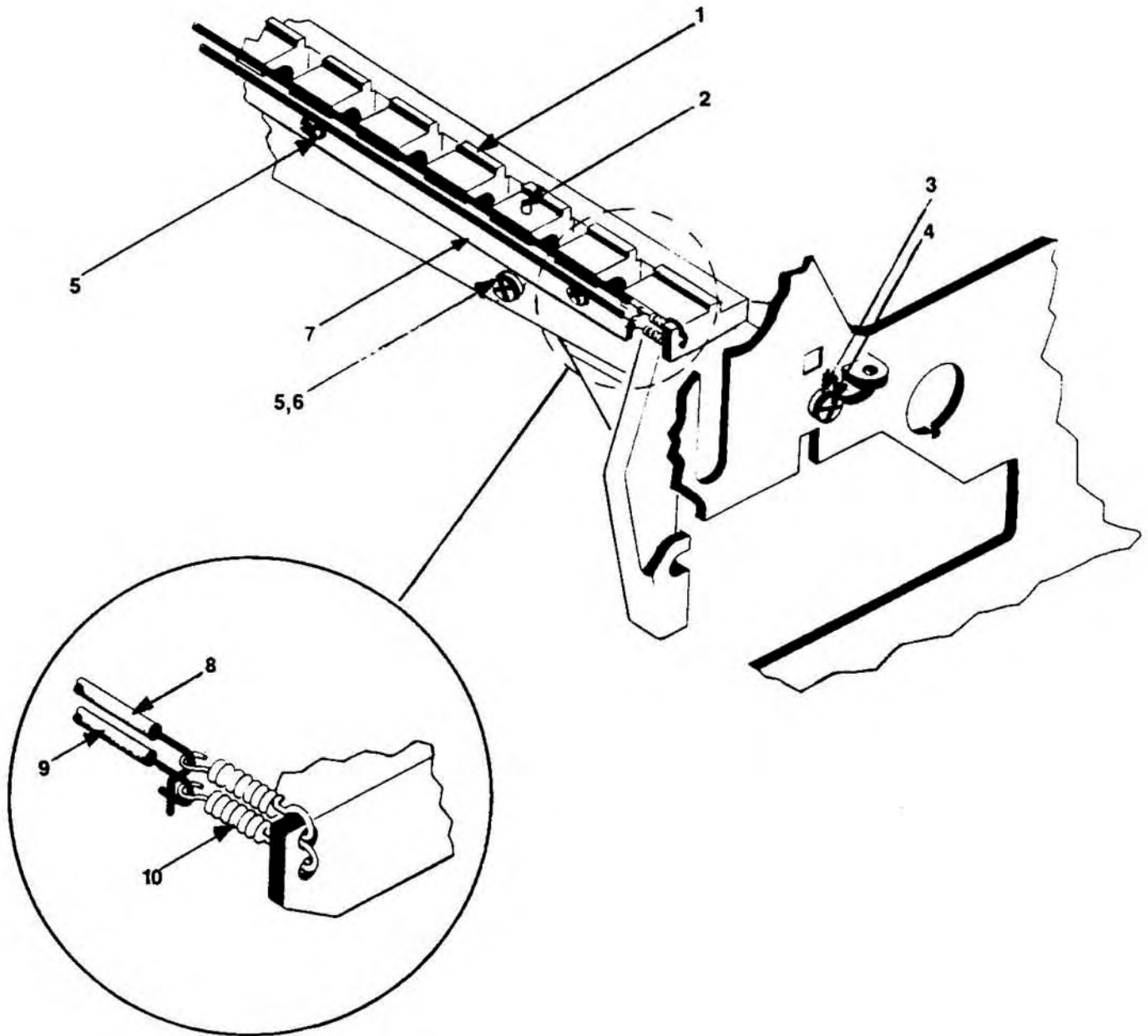


SUPPORT ASSEMBLY PART NUMBER GUIDE

<u>ITEM #</u>	<u>OLD PART NUMBER</u>	<u>NEW PART NUMBER</u>	<u>DESCRIPTION</u>	<u>QTY PER</u>
1	4300024-16	9779134	8/32 X 1-1/4 Socket Screw	2
2	5100066-01	9779911	#8 Lock Washer	4
3	5100006-01	9779898	#8 Flat Washer	4
4	1602112-01	9776927	Round Slotted Nut	4
5	1206196-01	9776745	Capacitor Boot	1
6	1206133	9776699	Capacitor Bracket	2
7	1401425-01	9776778	30 mfd Capacitor*	1
8	5100007-01	9779899	#10 Flat Washer	2
9	5100067-01	9779912	#10 Lock Washer	2
10	3501007-01	9778584	10/32 Hex Nut	2
11	1602141-01	9776935	Gearbox Support	1
12	1000541	9776389	Punch Motor Adaptor	1
13	4300024-12	9779132	8/32 X 3/4 Socket Screw	2

*NOTE: P/N 1401426-01 (9776780), 10 mfd Capacitor for 240 Volt machines is attached to the Punch Guide Assembly.

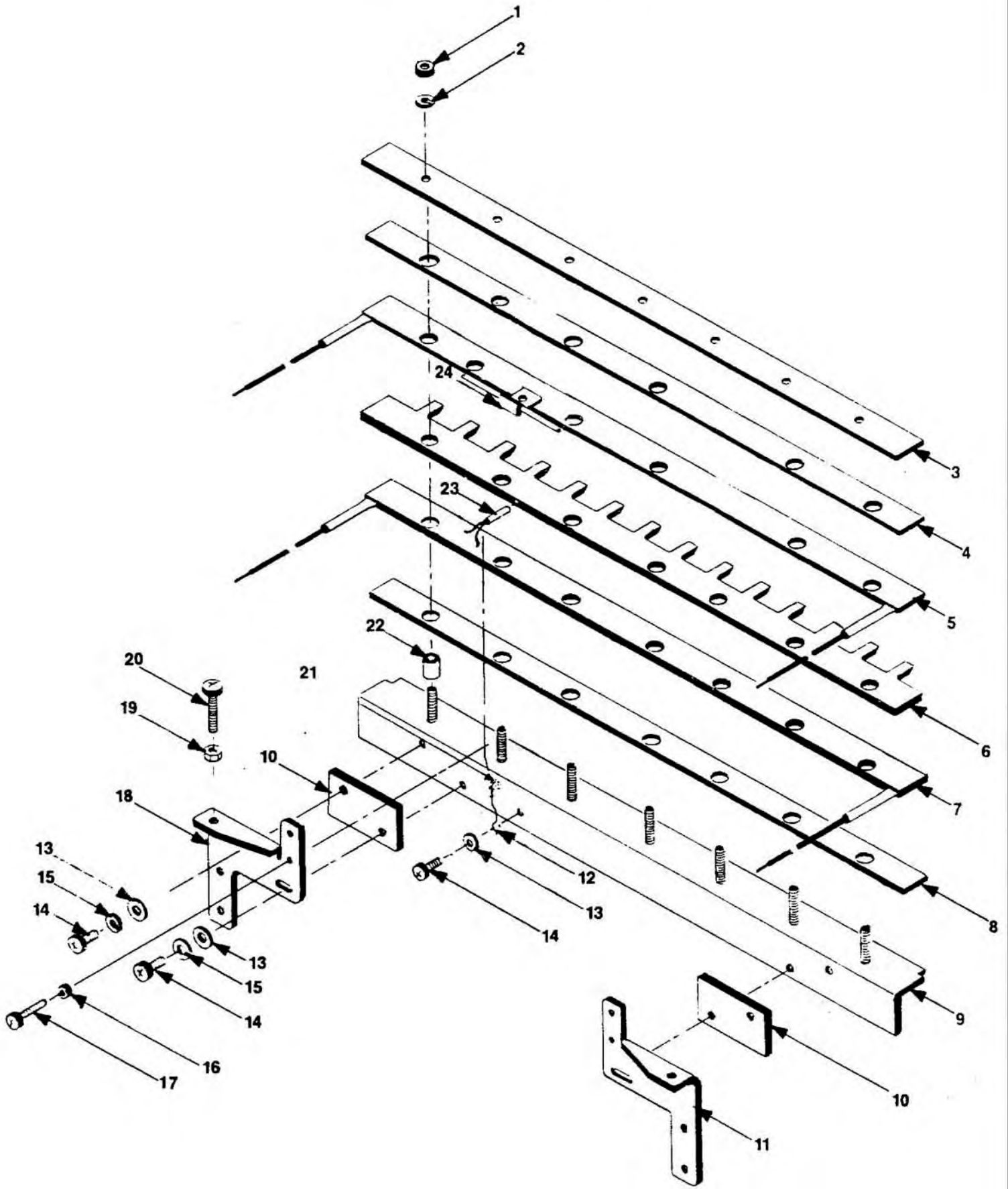
BRIDGE / WIPER ASSEMBLY DIAGRAM



BRIDGE/WIPER ASSEMBLY PART NUMBER GUIDE

ITEM #	OLD PART NUMBER	NEW PART NUMBER	DESCRIPTION	QTY PER
1	1206134	9776700	Bridge	1
2	3801753-01	9778689	Locating Pin	1
3	5100066-01	9779911	#8 Lock Washer	2
4	4301763-09	9779222	8/32 X 1/2 Phillips Screw	2
5	4301763-09	9779222	8/32 X 1/2 Phillips Screw	5
6	5100227-01	9779923	#8 Star Washer	1
7	1206177	9776731	Stripper Bracket	1
8	5101522	9779958	Upper Wiper	1
9	5101521	9779957	Lower Wiper	1
10	4315738	9779276	Extension Spring	4

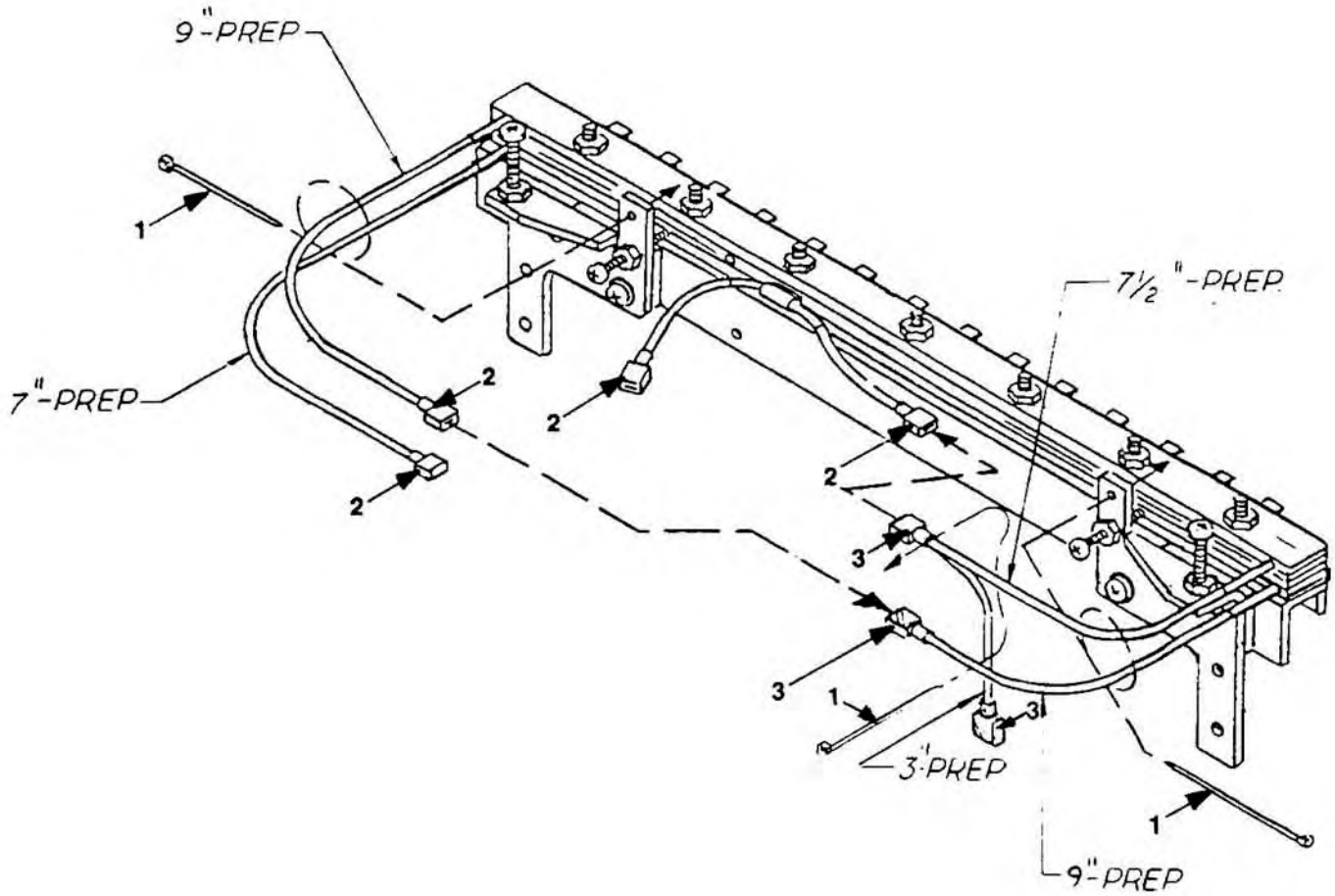
KNIFE ASSEMBLY



KNIFE ASSEMBLY PART NUMBER GUIDE

ITEM #	OLD PART NUMBER	NEW PART NUMBER	DESCRIPTION	QTY PER
N/A	2901022-01	9778313	Knife Assembly (115 V)	1
N/A	2901022-02	9778314	Knife Assembly (240 V)	1
1	3501023-01	9778588	6/32 Hex Nut	7
2	5100065-01	9779910	#6 Lock Washer	7
3	3806095	9778754	Knife Heater Plate	1
4	2600816	9778289	Insulator	1
5	2400866	9778217	Heater	1
6	1206159	9776713	Knife Blade	1
7	2400870	9778226	Lower Heater	1
8	2600816	9778289	Insulator	1
9	1206137-02	9776705	Heater Support	1
10	2600826	9778294	Bracket Insulator	2
11	1206136-02	9776704	Left Heater Bracket	1
12	4109059	9779089	Thermistor Retainer	1
13	5100006-01	9779898	#8 Flat Washer	5
14	4300885-09	9779175	8/32 X 1/2 Screw	5
15	5100066-01	9779911	#8 Lock Washer	4
16	3501022-01	9778587	4/40 Hex Nut	2
17	4300883-12	9779170	4/40 X 3/4 Screw	2
18	1206136-01	9776703	Right Heater Bracket	1
19	3501024-01	9778589	8/32 Hex Nut	2
20	4300885-14	9779177	8/32 X 1 Screw	2
21	4507529	9779410	Teflon Sleeve	1
22	2600830	9778296	Ceramic Insulator	7
23	4507558-01	9779450	Thermistor	1
24	4503764-02	9779394	Thermal Cutoff	1

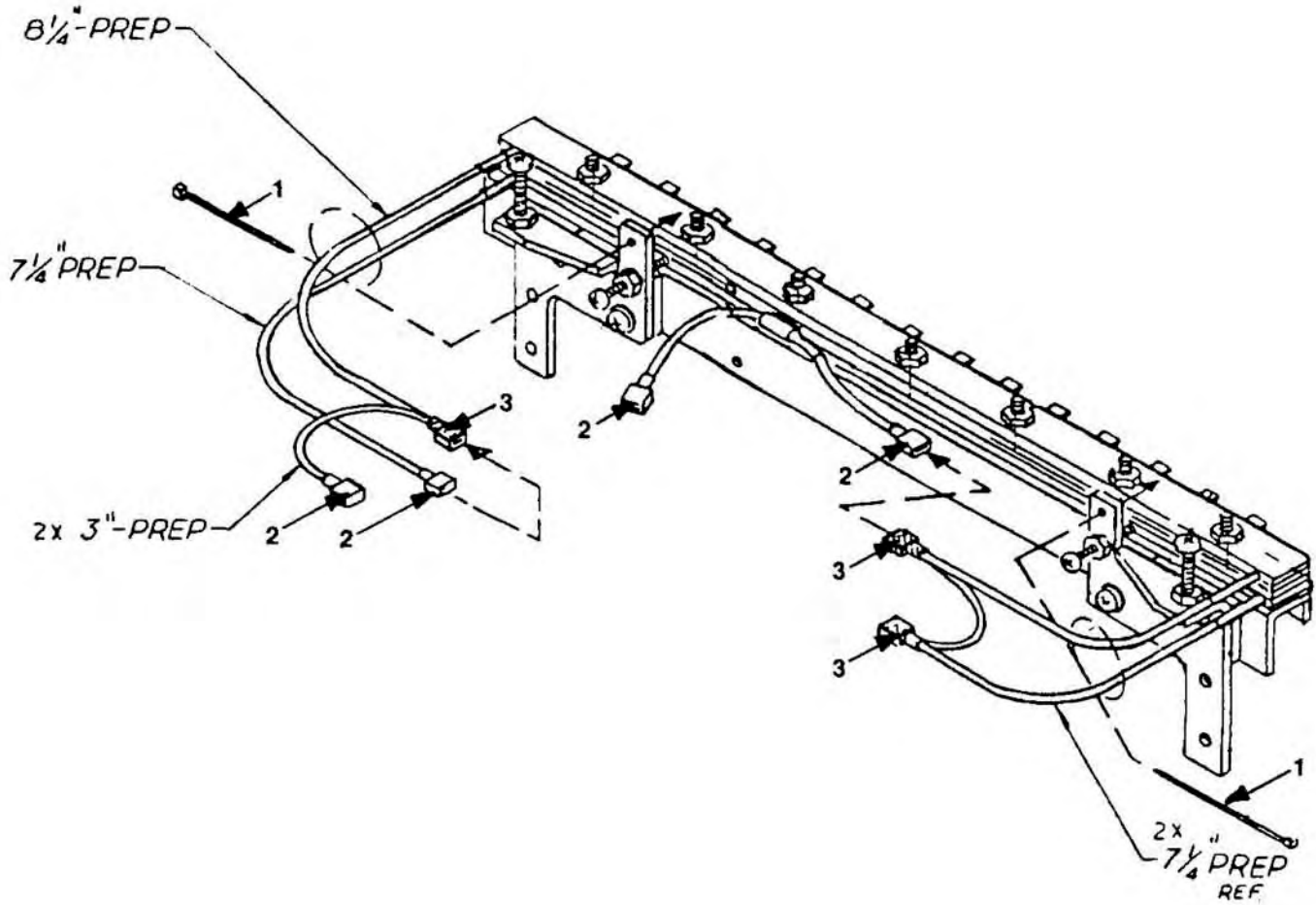
230 VOLT KNIFE WIRING



Knife wiring Part Number Guide

Item #	Old Part No.	New Part No.	Description	Qty Per
1	4504000	9779396	Cable Tie	3
2	4502525-01	9779385	Insulated Terminal	4
3	59350007	9780158	Insulated Terminal	3

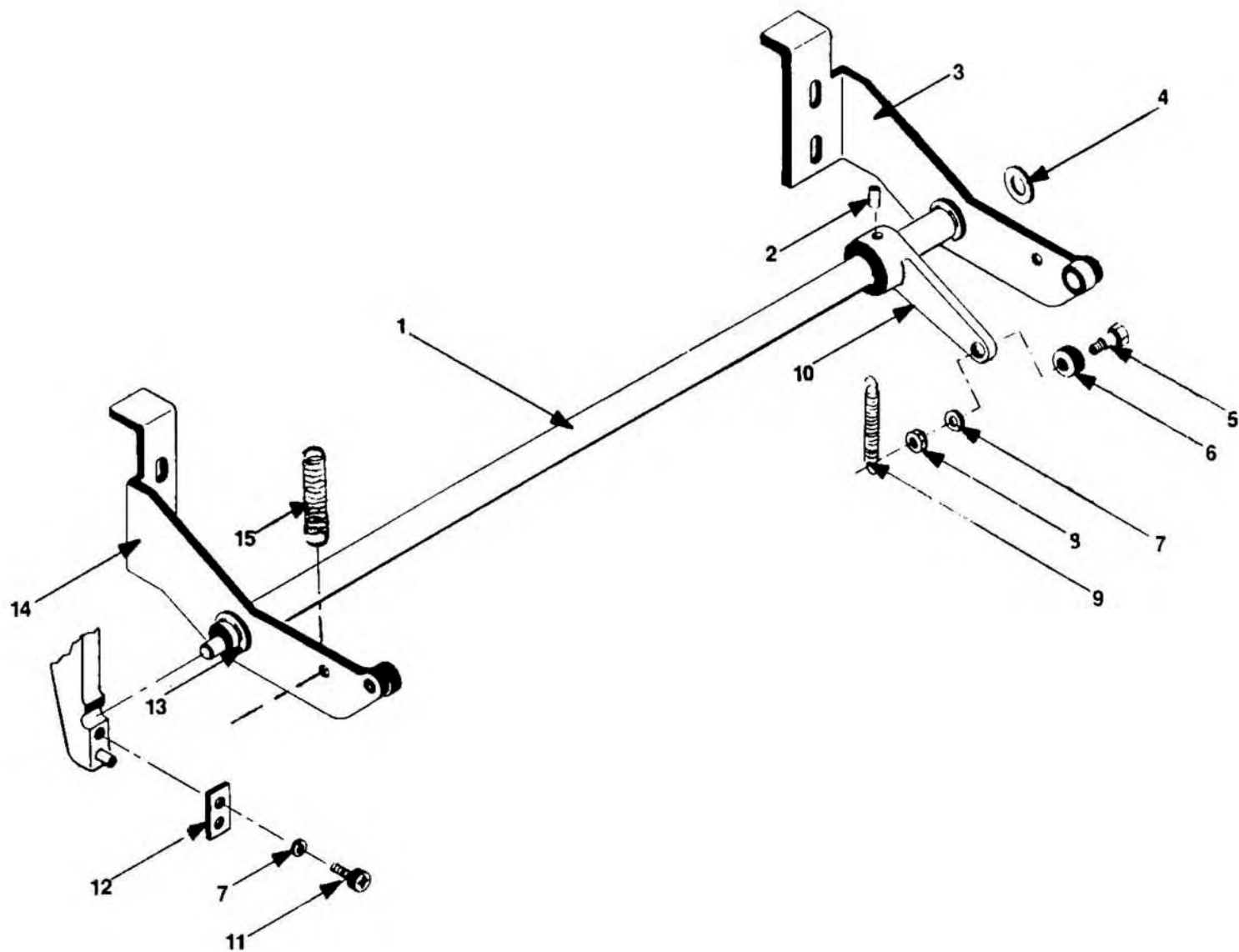
115 VOLT KNIFE WIRING



KNIFE WIRING PART NUMBER GUIDE

ITEM #	OLD PART NUMBER	NEW PART NUMBER	DESCRIPTION	QTY PER
1	4504000	9779396	Cable Tie	2
2	4502525-01	9779385	Insulated Terminal	4
3	59350007	9780158	Insulated Terminal	3

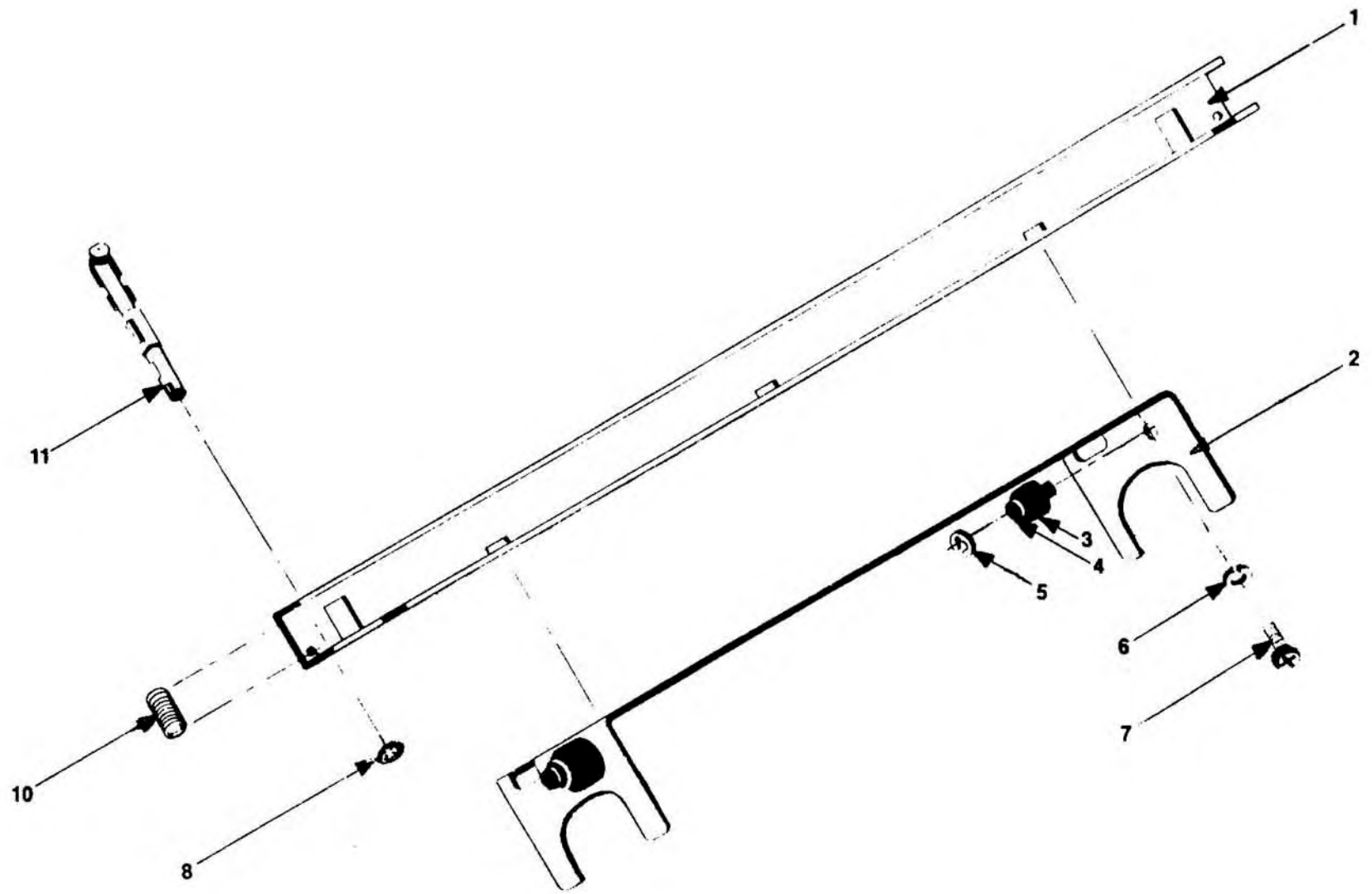
CUTTER ARM SHAFT/CUTTER ARM ASSEMBLY DIAGRAM



CUTTER ARM/SHAFT PART NUMBER GUIDE

ITEM #	OLD PART NUMBER	NEW PART NUMBER	DESCRIPTION	QTY PER
N/A	4310029	9779237	Cutter Arm Shaft Assembly (Includes Items 1 , 2, 5-8, & 10)	1
1	4310026	9779235	Cutter Arm Shaft	1
2	3801223-14	9778666	Roll Pin	1
3	1000540-01	9776383	Right Cutter Arm Assembly	1
4	3807507	9778766	Teflon Washer	2
5	4330069	9779346	Shoulder Screw	2
6	4109042	9779084	Roller	1
7	5100066-01	9779911	#8 Lock Washer	3
8	3501024-01	9778589	8/32 Hex Nut	1
9	4315569-18	9779260	Extension Spring	1
10	1000520	9776376	Extruder Arm	1
11	4301763-09	9779222	8/32 X 1/2 Screw	2
12	3806091	9778751	Retaining Plate	2
13	4107001-22	9779072	E-Ring	4
14	1000540-02	9776384	Left Cutter Arm Assembly	1
15	4315742	9779278	Extension Spring	2

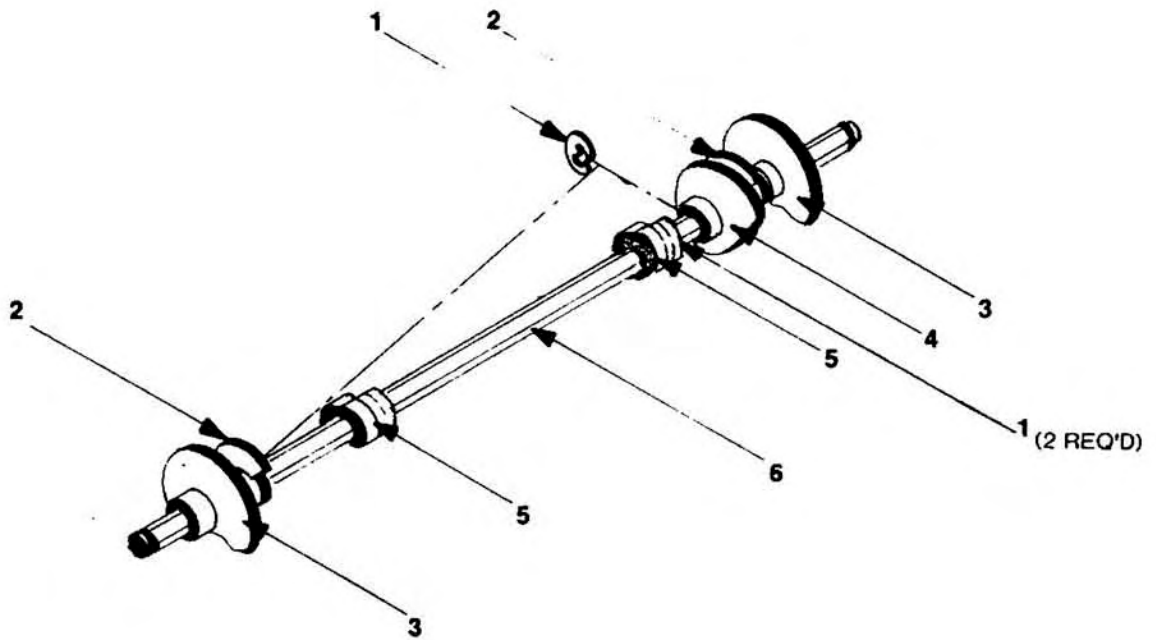
COOLING FINGER/BRACKET ASSEMBLY DIAGRAM



COOLING FINGER/BRACKET PART NUMBER GUIDE

ITEM #	OLD PART NUMBER	NEW PART NUMBER	DESCRIPTION	QTY PER
N/A	1206153	9776708	Cooling Finger Assembly (Includes Items 1, 8, 10, & 11)	1
N/A	1206161-01	9776718	Cooling Bracket Assembly (Includes Items 2-7)	1
1	1407720-01	9776845	Cooling Finger Channel	1
2	52000600	9780060	Cooling Bracket	1
3	4109042	9779084	Roller	2
4	4109061	9779091	Rivet	2
5	4107006-06	9779077	C-Clip	2
6	5100065-01	9779910	#6 Lock Washer	2
7	4300884-07	9779172	6/32 X 3/8 Screw	2
8	1602162-01	9776950	Retaining Ring	14
9	Not Used			
10	4315731	9779272	Cooling Finger Spring	14
11	3801752	9778687	Cooling Finger	14

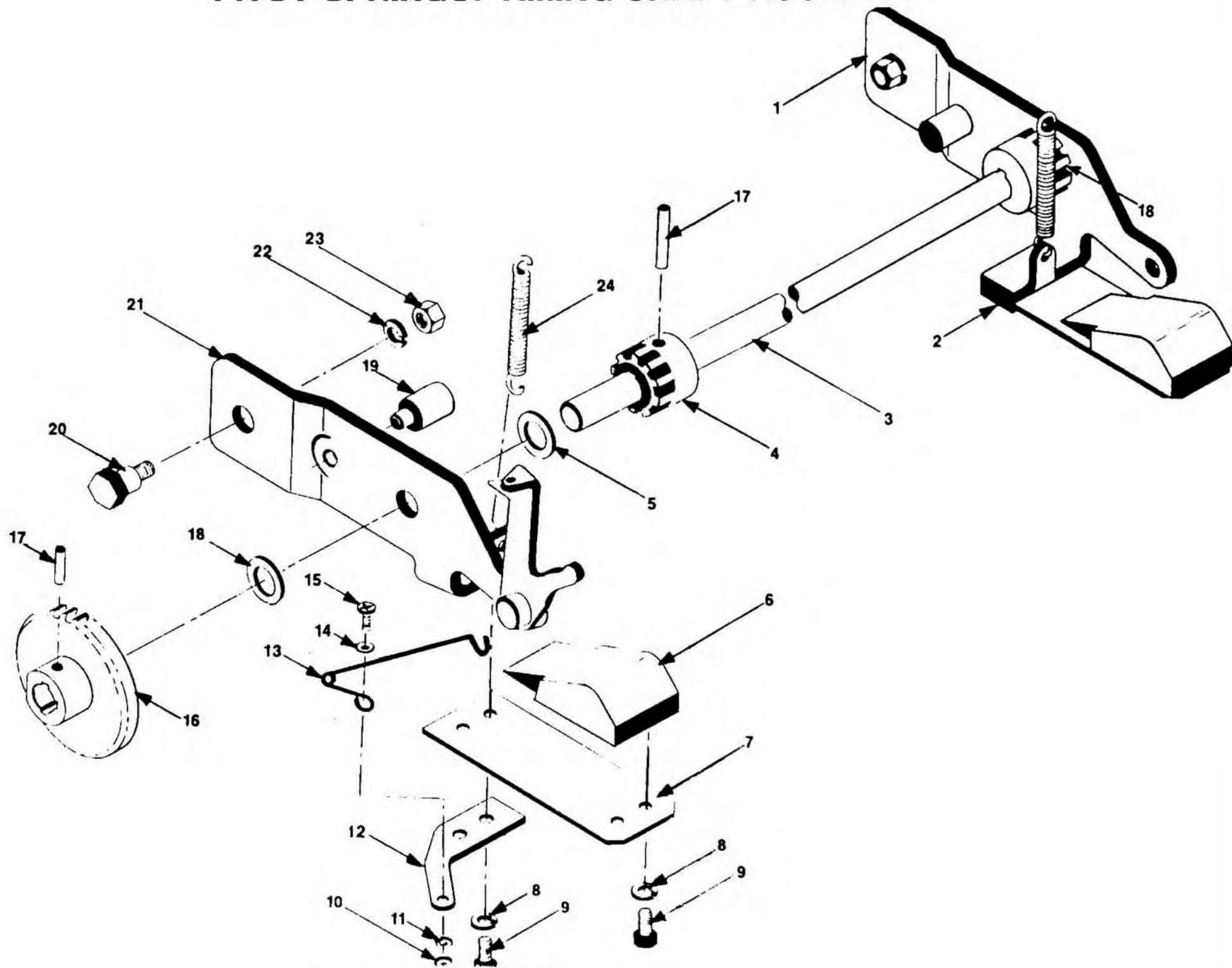
CAM SHAFT ASSEMBLY



CAM SHAFT ASSEMBLY PART NUMBER GUIDE

<u>ITEM #</u>	<u>OLD PART NUMBER</u>	<u>NEW PART NUMBER</u>	<u>DESCRIPTION</u>	<u>QTY PER</u>
N/A	50100600	9779866	Cam Shaft Assembly	1
1	4107001-22	9779072	E-Ring	4
2	1407712	9776840	Cutter Cam	2
3	1602201-01	9776959	Pressure Cam	2
4	1407713	9776841	Extruder Cam	1
5	50100500	9779865	Cooling Cam	2
6	4310025-01	9779234	Cam Shaft	1

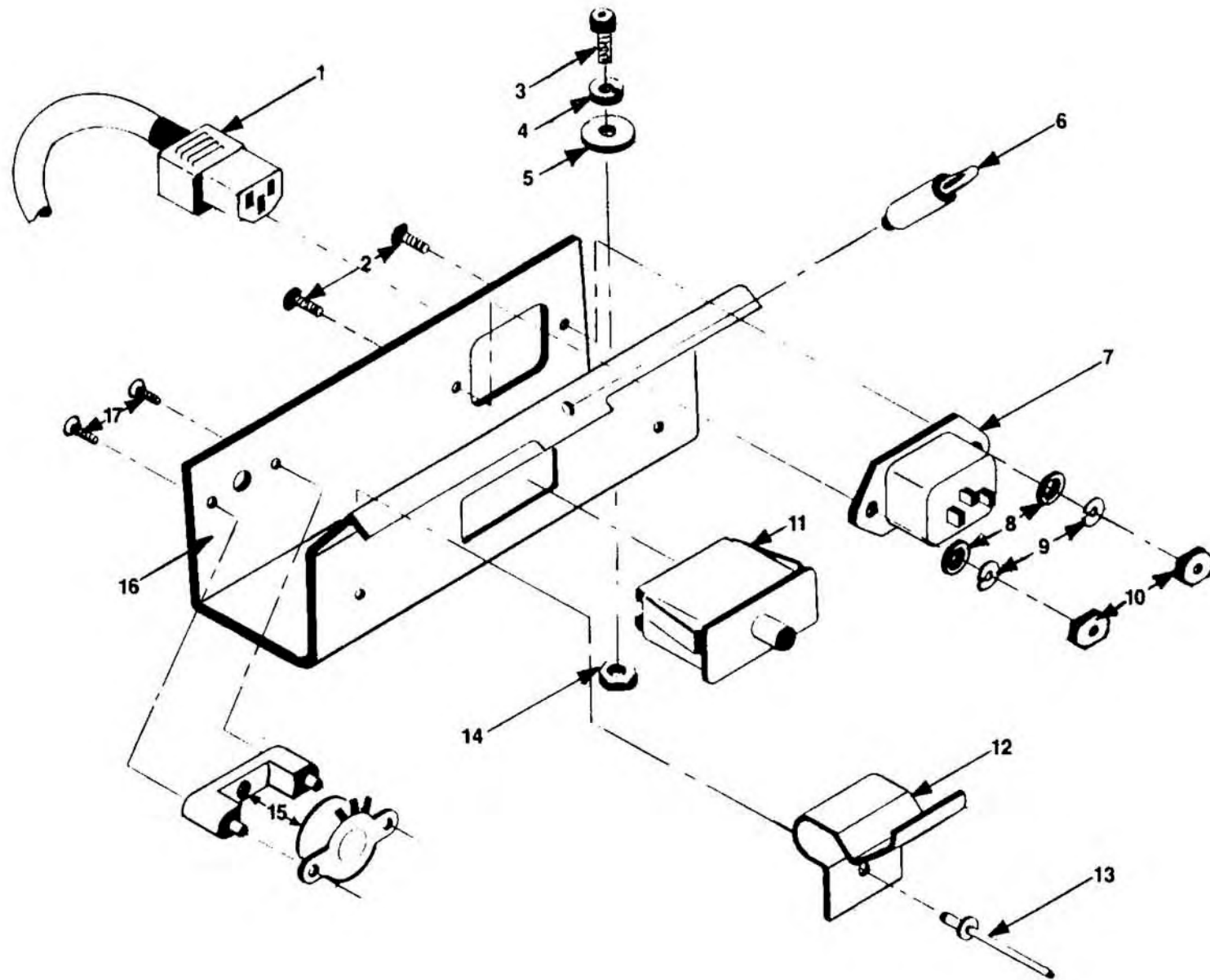
PIVOT SPRINGS/TIMING SHAFT ASSEMBLY



PIVOT SPRINGS/TIMING SHAFT PART NUMBER GUIDE

ITEM #	OLD PART NUMBER	NEW PART NUMBER	DESCRIPTION	QTY PER
N/A	3807531	9778775	Left Pivot Spring Assembly	1
N/A	3807533	9778776	Right Pivot Spring Assembly	1
N/A	4310031	9779241	Timing Shaft Assembly	1
1	3806087-01	9778740	Right Pivot Plate	1
2	4109058	9779088	Retainer Plate	1
3	4310030	9779240	Timing Shaft	1
4	3807506	9778765	Pinion Gear	2
5	4313535	9779256	Spacer	2
6	1407722	9776847	Cam Follower	2
7	4315583	9779263	Flat Spring	2
8	5100065-01	9779910	#6 Lock Washer	8
9	4301762-07	9779219	6/32 X 3/8 Phillips Screw	8
10	3501022-01	9778587	4/40 Hex Nut	1
11	5100064-01	9779909	#4 Lock Washer	1
12	4109057	9779087	Retainer	1
13	4315745-01	9779280	Pawl Spring	1
14	5100004-01	9779896	#4 Flat Washer	1
15	4300022-07	9779118	4/40 X 3/8 Socket Screw	1
16	4109045	9779085	Ratchet	1
17	3801223-12	9778665	Roll Pin	3
18	4313534	9779255	Spacer	2
19	4106009	9779059	Guide Rivet	2
20	4330038-05	9779337	Shoulder Screw	2
21	3806087-02	9778741	Left Pivot Plate	1
22	5100068-01	9779913	1/4 Lock Washer	2
23	3501026-01	9778591	1/4-20 Hex Nut	2
24	4315736	9779274	Spring	2

INTERLOCK BRACKET ASSEMBLY



INTERLOCK BRACKET ASSEMBLY PART NUMBER GUIDE

<u>ITEM #</u>	<u>OLD PART NUMBER</u>	<u>NEW PART NUMBER</u>	<u>DESCRIPTION</u>	<u>QTY PER</u>
1	5101509	9779940	115 Volt Power Cord	1
	5101529	9779969	240 Volt Power Cord	1
	1602708-01	9777387	Power Cord (France)	1
2	4300983-11	9779185	4/40 X 5/8 Phillips Screw	2
3	4300025-11	9779136	10/24 X 5/8 Socket Screw	2
4	5100067-01	9779912	#10 Lock Washer	2
5	5100007-01	9779899	#10 Flat Washer	2
6	4330136-01	9779370	P. C. Board Stand Off	1
7	4100508	9779047	Receptacle	1
8	5100004-01	9779896	#4 Flat Washer	2
9	5100064-01	9779909	#4 Lock Washer	2
10	3501022-01	9778587	4/40 Hex Nut	2
11	4325065-01	9779327	Interlock Switch	1
12	4315739	9779277	Latch Spring	1
13	4109061	9779091	Rivet	1
			(Not available as spare part)	
14	3501025-01	9778590	10/24 Hex Nut	2
15	1602091-01	9776904	Potentiometer Assembly	1
16	1206181	9776733	Interlock Bracket	1
17	4301582-03	9779209	4/24 X 1/4 Screw	2