



EVB PARTS LIST

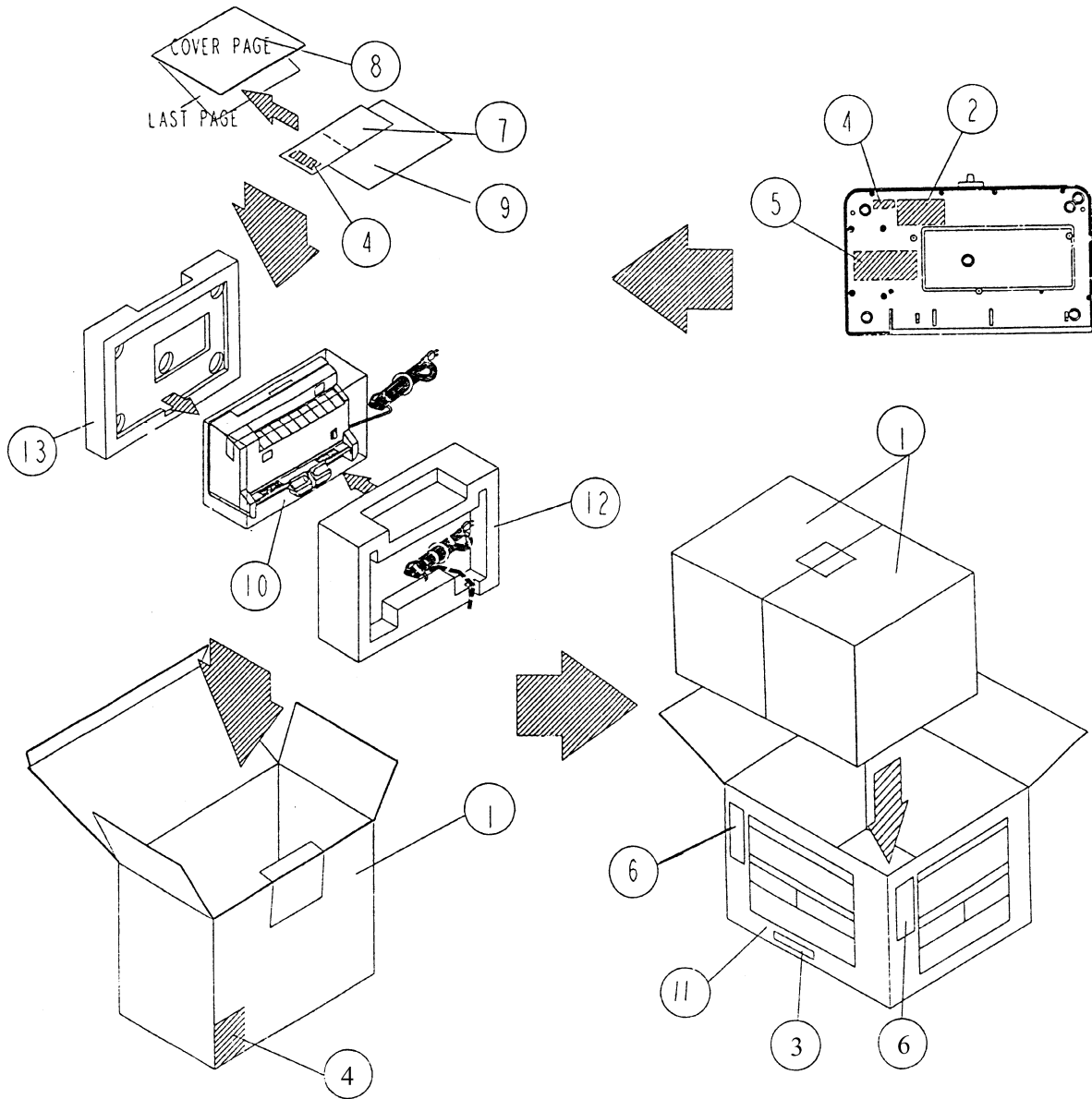
Parts List



GBC IS AN ACCO BRANDS COMPANY

4.0 PARTS LIST

Figure 4-1



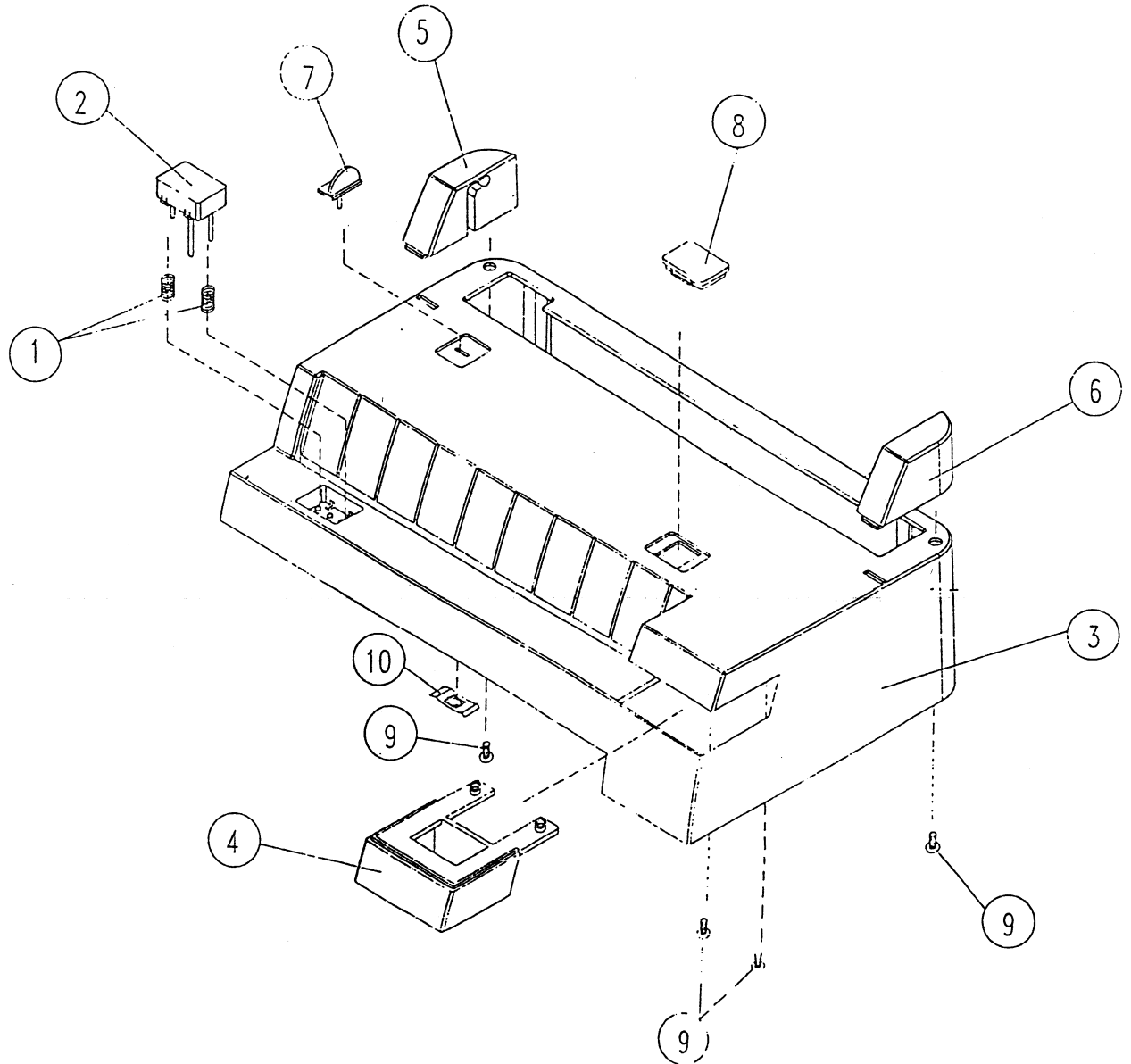
4.0 PARTS LIST

Figure 4-1

ITEM NO.	PART NUMBER	DESCRIPTION	QTY PER
1	6005060	Gift Box	1
2	6009162	Rating Label	1
3		S/N Label Carton	1
4		S/N Label	3
5	6009161	Warning Label	1
6		UPC Label	1
7		Warranty Card	1
8	6000075	Instruction Manual	1
9		Warranty Page	1
10		PE Bag 700 X 410	1
11	6005061	Shipping Carton	1
12	6006043	Polyform (Upper)	1
13	6006044	Polyform (Lower)	1

4.0 PARTS LIST

Figure 4-2



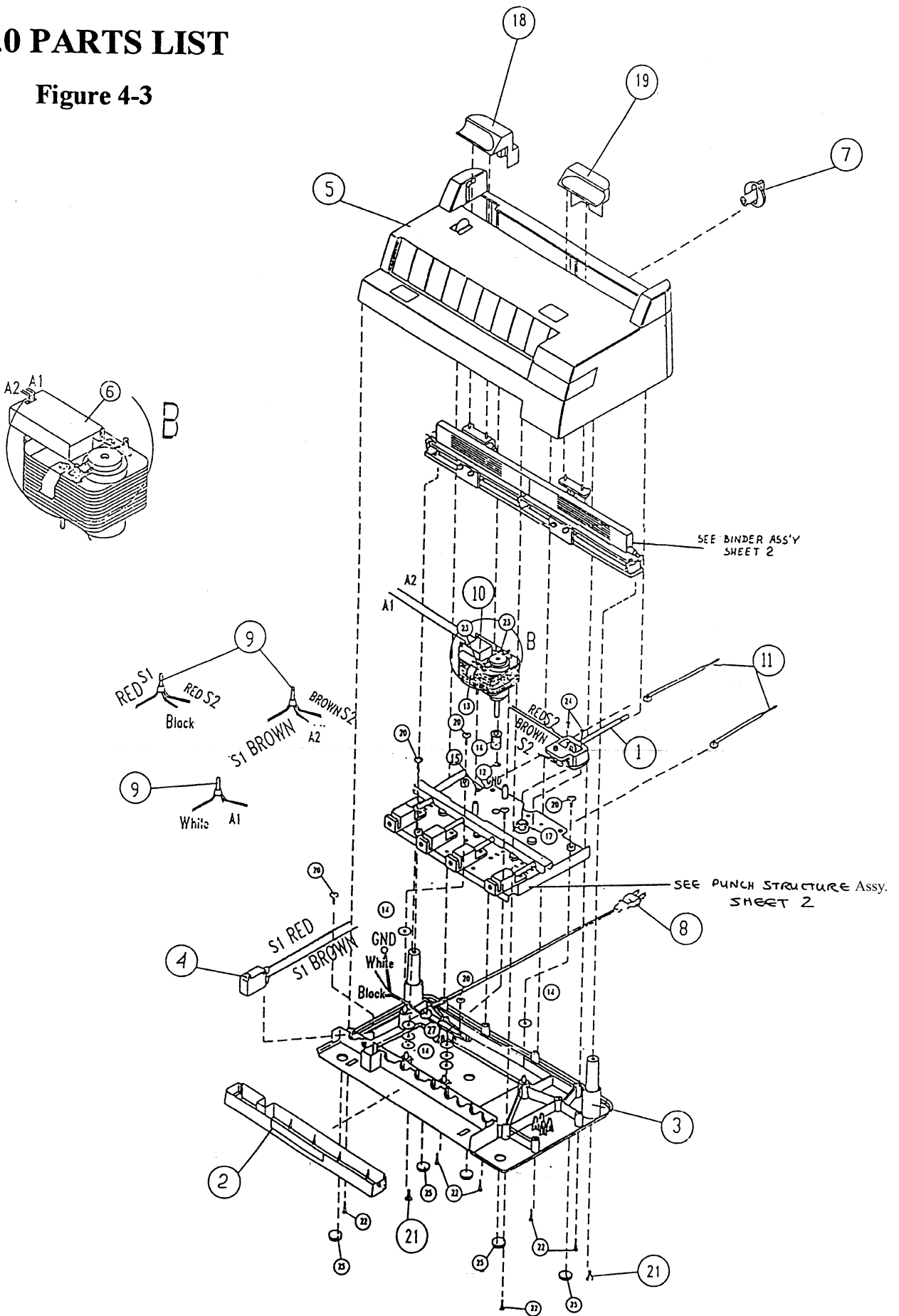
4.0 PARTS LIST

Figure 4-2

ITEM NO.	PART NUMBER	DESCRIPTION	QTY PER
1	6178012	Spring-B	2
2	6174010	Start Knob	1
3	1775002	Upper Case	1
4	1775009	Stapler Cover	1
5	1775007	End Cap (Left)	1
6	1775006	End Cap (Right)	1
7	1775008	Register	1
8	1775058	Cover	1
9		Screw, #3 X 8	4
10		Tinnerman Fastener	1

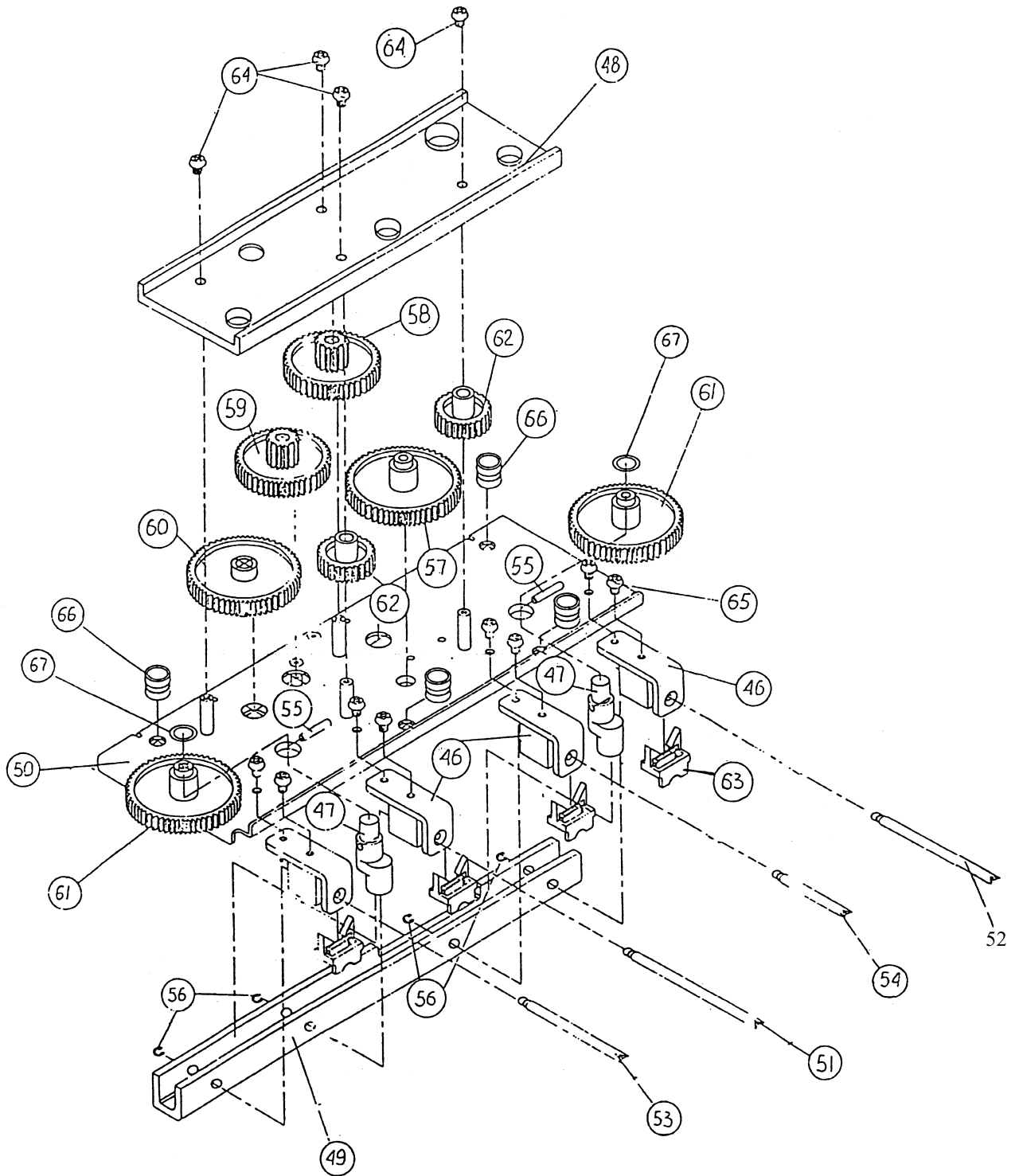
4.0 PARTS LIST

Figure 4-3



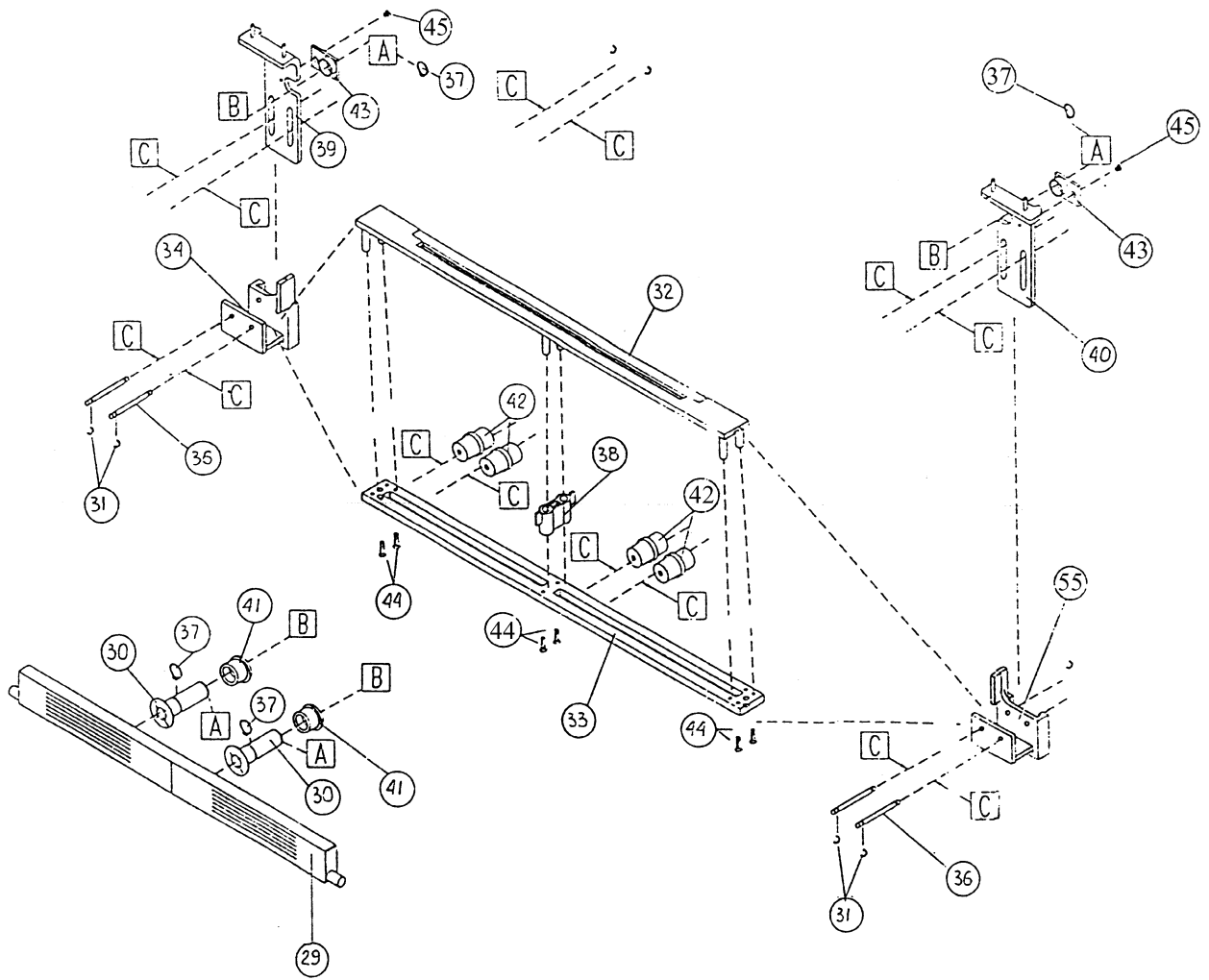
4.0 PARTS LIST

Figure 4-4



4.0 PARTS LIST

Figure 4-5



4.0 PARTS LIST

Figures 4-3, 4-4, 4-5 (115 V, 11 inch)

ITEM NO.	PART NUMBER	DESCRIPTION	QTY PER
1	1775065	Gear & Switch Holder Assembly	1
2	1775055	Chip Tray & Window Assembly	1
3	1775059	Lower Cover Assembly	1
4	1775068	Start Switch Assembly (6A/250V)	1
5	1775062	Upper Case & Knob Assembly	1
6	1775064	Motor fiber	1
7	6174011	Reverse Knob	1
8	6200044	AC Power Cord (USA)	1
9		Close End Connector C4	3
10	6208050	AC 115V/60 Hz Motor	1
11		Cable Tie HW-045 - L=120 mm.	2
12		#3 E-Ring	1
13	6178011	Motor Spring	1
14	1775054	Punch Assembly Washer	8
15		Screw, M4 X 6 "B" Washer	1
16	6180044	Spur Gear - A 15T	1
17	6180042	Miter Gear - J20T	1
18	1775005	Slide Grip (Left)	1
19	1775004	Slide Grip (Right)	1
20		#3 X 10 w/Washer (ϕ 15 X 0.81)	6
21		Screw, "P" M4 X 8	2
22		#3 X 20 Screw	6
23		Screw, M4 X 35 P (ϕ 4.3)	2
24		Screw, M3 X 8 ETD/Star Washer	2
25	6176015	EVA Foot	5
26		ϕ 5 Gear Washer	2
27		Cable Holder	1
28		Screw, #3 X 8	2
29	1775033	Pressure Bar Assembly A4	1
30	1775034	Washer & Shaft Assembly	2
31		ϕ 4 E-Ring	8
32	1775029	Top Guide (11 in.)	1
33	1775013	Guide	1
34	1775022	Support, Pressure Bar (Left)	1
35	1775019	Support, Pressure Bar (Right)	1
36	1775017	Pin	4
37		ϕ 11 C-Ring	4
38	1775018	Spacer	1
39	1775014	Support Roller Pin (Left)	1
40	1775015	Support Roller Pin (Right)	1
41	1775025	Roller Pressure Bar	2

4.0 PARTS LIST

Figures 4-3, 4-4, 4-5 (115V, 11 Inch) (Continued)

ITEM NO.	PART NUMBER	DESCRIPTION	QTY PER
42	1775016	Sleeve Roller Pin	4
43	1775027	Shaft Holder	2
44		Screw, M3 X 10 "F"	6
45		Screw, M4 X 8 "F"	2
46	1775044	Punch Set ϕ 3.3	4
47	1775045	Cam Shaft	2
48	1775043	Fixed Plate	1
49	1775042	Punch Frame Letter Size	1
50	1775039	Base Plate (Binder)	1
51	1775047	Punch Head - E	1
52	1775048	Punch Head - F	1
53	1775049	Punch Head - G	1
54	1775052	Punch Head - H	1
55	1775053	Setting Pin	2
56		ϕ 2 E-Ring	4
57	6180035	Spur Gear - L 60 T	1
58	6180045	Spur Gear-B73T & Gear C15T	1
59	6180038	Spur Gear-D50T & Gear E16T	1
60	6180039	Spur Gear-F60T & Gear G20T	1
61	6180040	Spur Gear-H60T	2
62	6180041	Spur Gear-I29T	2
63	1775035	Paper Guide	4
64		Screw, M4 X 6 "B" Washer	4
65		Screw, M5 X 6 "B"	8
66	1775063	Cushion Block	4
67		Washer	2